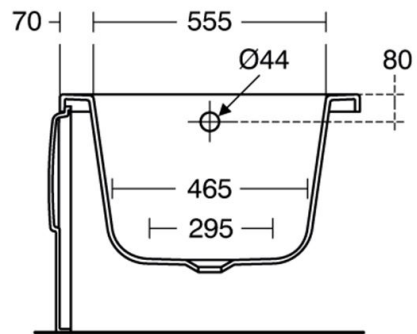


Section A - A



Section B - B

