

# PRODUCT DATA SHEET



## PRODUCT CODE

CT4084UCT

## RANGE

Counter

## DESCRIPTION

Circus Counter Basin 400 Ø No Overflow Slate Effect

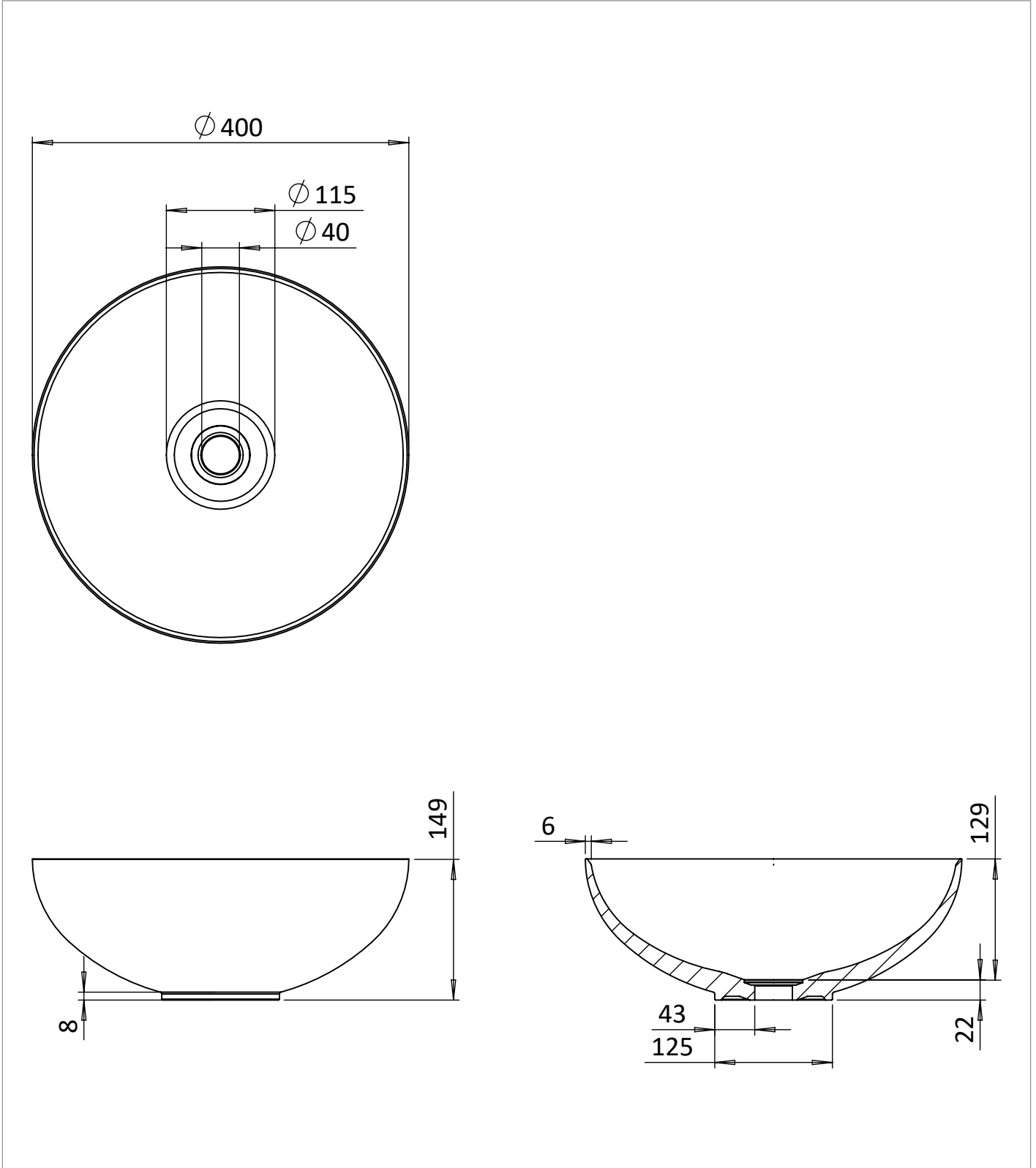
CATEGORY	Sanitaryware
WARRANTY DETAILS	10 Years
COLOUR	Slate
FINISH APPLICATION	Lacquered
PRIMARY MATERIAL	Vitreous China
PRODUCT WIDTH MM	400
PRODUCT HEIGHT MM	150
PRODUCT LENGTH MM	400
PRODUCT DEPTH MM	140
PRODUCT NET WEIGHT KG	5.2
STANDARDS	EN-14688

TAP HOLES	No
FIXINGS INCLUDED	No
OVERFLOW	No
BASIN WASTE SIZE	45

## TECHNICAL DIMENSIONS

Dimensions in mm unless otherwise specified.

Tolerances (per material type) apply.



## SPARES LIST

Only the parts labelled are available as spares.

NO SPARES AVAILABLE