

# PRODUCT DATA SHEET

*Burlington*<sup>®</sup>



## PRODUCT CODE

FC5W

## RANGE

Furniture

## DESCRIPTION

Curved Basin Unit 650 Doors Matt White

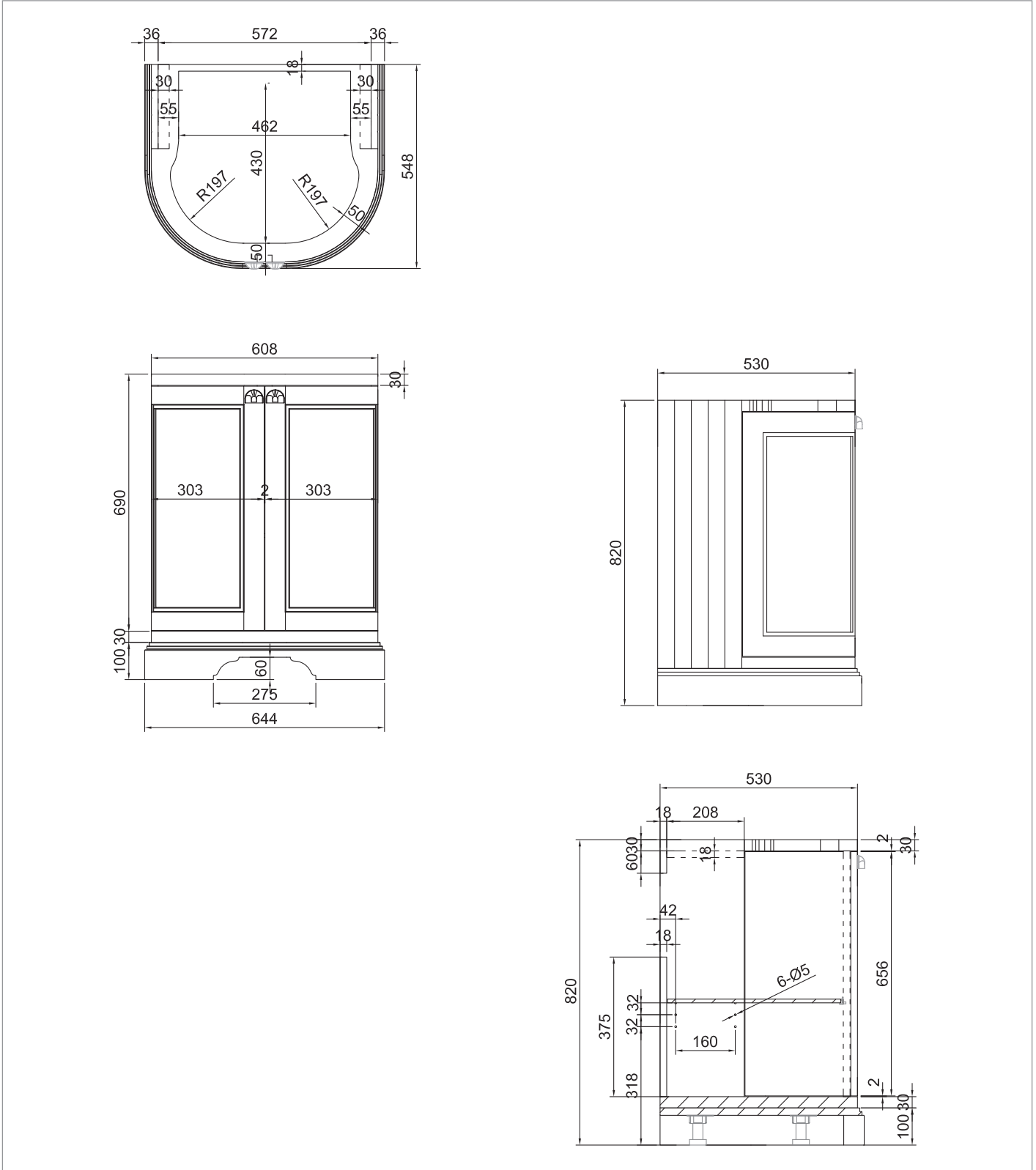
CATEGORY	Furniture
WARRANTY DETAILS	10 Years
COLOUR	Matt White
FINISH APPLICATION	Lacquered
PRIMARY MATERIAL	MDF
INSTALL TYPE	Floor Mounted
PRODUCT WIDTH MM	644
PRODUCT HEIGHT MM	820
PRODUCT LENGTH MM	530
PRODUCT NET WEIGHT KG	35
STANDARDS	EN14749:2016

WALL HANGERS	Yes
ADJUSTABLE FEET	Yes

## TECHNICAL DIMENSIONS

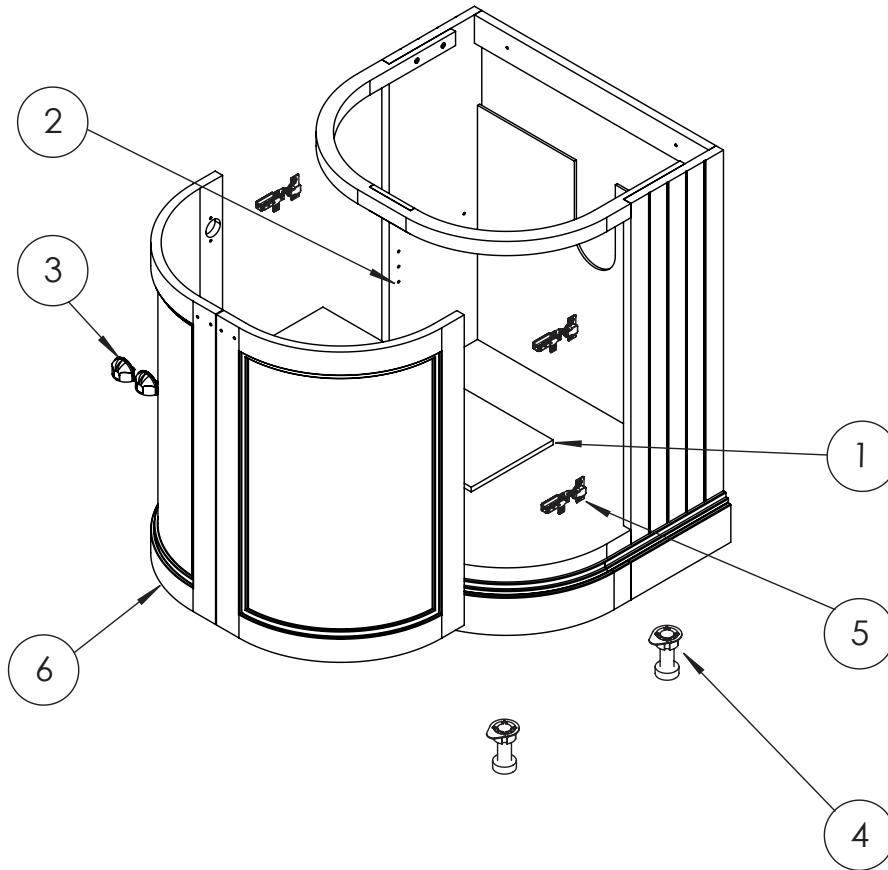
Dimensions in mm unless otherwise specified.

Tolerances (per material type) apply.



## SPARES LIST

Only the parts labelled are available as spares.



NUMBER	PART CODE	DESCRIPTION
1	SP1828	Glass shelf for FC5
2	SP1829	Glass shelf fixings for FC5 5pcs
3	SP653	1x handle 2x screws 2x washers Burlington
4	SP669	Burl. Spare adjustable leg for floor unit
5	SP674	Burl. Spare hinges for curved door (pair)
6	SPFC1CP-B	curve panel for FC1B
	SPFC1CP-G	Burl.Spare curve door for FC1G, FC2G, etc
	SPFC1CP-MG-LH	Burlington Curve Door LH for FC1MG/FC2MG/FC3MG/FC4MG
	SPFC1CP-MG-RH	Burlington Curve Door RH for FC1MG/FC2MG/FC3MG/FC4MG
	SPFC1CP-W	CURVE PANEL FOR FC1W,FC2W,FC4W

# PRODUCT DATA SHEET

*Burlington*<sup>®</sup>



## PRODUCT CODE

BW65

## RANGE

Furniture

## DESCRIPTION

Burlington Curved 650 Upstand White

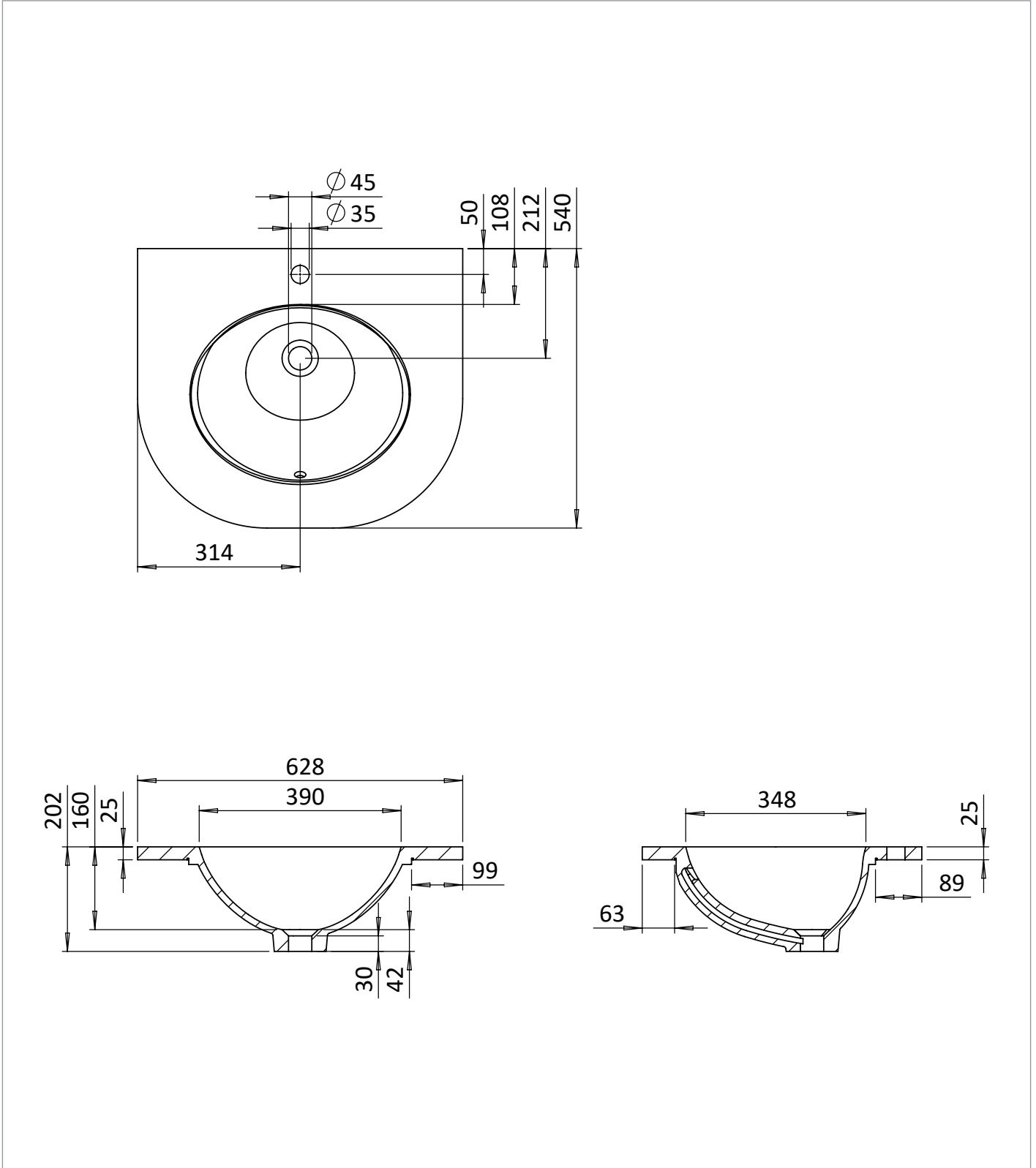
CATEGORY	Furniture
WARRANTY DETAILS	10 Years
COLOUR	White
FINISH APPLICATION	Satin
PRIMARY MATERIAL	Solid Surface
INSTALL TYPE	Furniture Mounted
PRODUCT WIDTH MM	650
PRODUCT HEIGHT MM	180
PRODUCT LENGTH MM	550
PRODUCT DEPTH MM	550
PRODUCT NET WEIGHT KG	0
STANDARDS	BS EN 438-7,BS EN ISO 4892-3,BS EN 59

COLOUR CODE / REFERENCE	WH
-------------------------	----

## TECHNICAL DIMENSIONS

Dimensions in mm unless otherwise specified.

Tolerances (per material type) apply.



**SPARES LIST**

Only the parts labelled are available as spares.

**NO SPARES AVAILABLE**

# PRODUCT DATA SHEET

*Burlington*<sup>®</sup>



## PRODUCT CODE

BC65

## RANGE

Furniture

## DESCRIPTION

Burlington Curved 650 Top Upstand Carrara

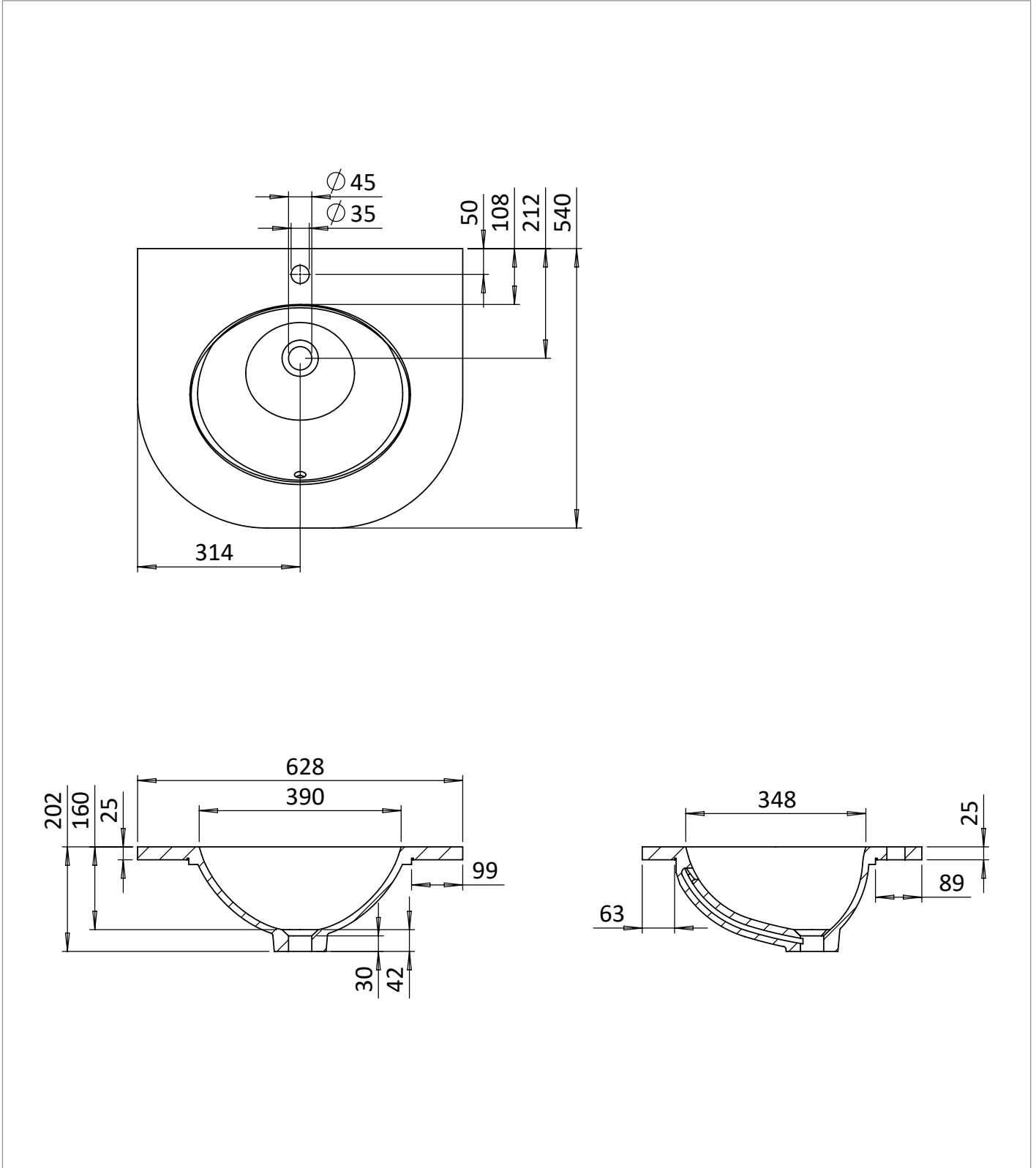
CATEGORY	Furniture
WARRANTY DETAILS	10 Years
COLOUR	Carrara
FINISH APPLICATION	Satin
PRIMARY MATERIAL	Solid Surface
INSTALL TYPE	Furniture Mounted
PRODUCT WIDTH MM	650
PRODUCT HEIGHT MM	180
PRODUCT LENGTH MM	550
PRODUCT DEPTH MM	550
PRODUCT NET WEIGHT KG	0

COLOUR CODE / REFERENCE	CA
-------------------------	----

## TECHNICAL DIMENSIONS

Dimensions in mm unless otherwise specified.

Tolerances (per material type) apply.





**SPARES LIST**

Only the parts labelled are available as spares.

**NO SPARES AVAILABLE**