

# PRODUCT DATA SHEET

*Burlington*<sup>®</sup>



## PRODUCT CODE

GU0561SCW

## RANGE

Guild

## DESCRIPTION

Guild Basin 56cm 1TH White

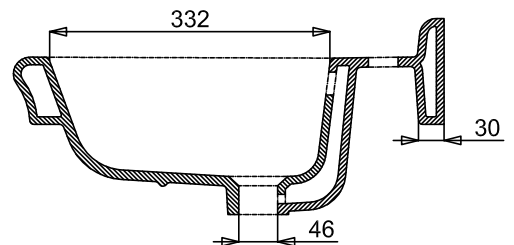
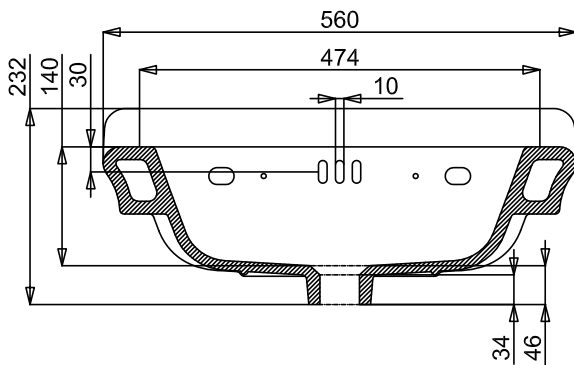
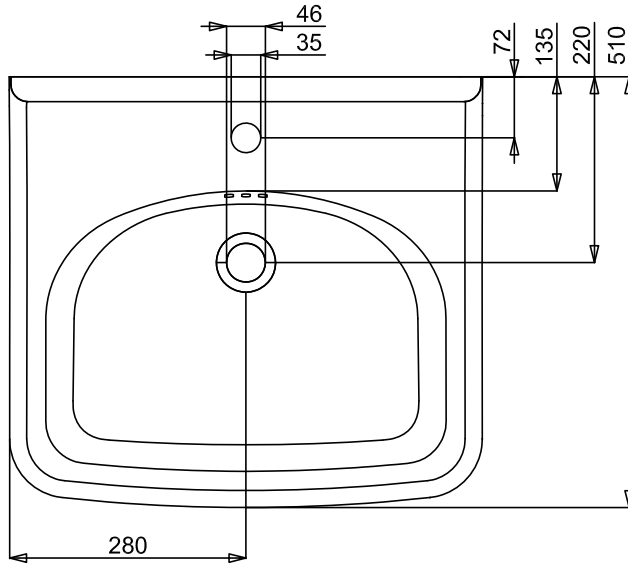
CATEGORY	Sanitaryware
WARRANTY DETAILS	Lifetime
COLOUR	Gloss White
FINISH APPLICATION	Glazed
PRIMARY MATERIAL	Fine Fire Clay
INSTALL TYPE	Wall Mounted
PRODUCT WIDTH MM	560
PRODUCT HEIGHT MM	232
PRODUCT DEPTH MM	510
PRODUCT NET WEIGHT KG	15.5
STANDARDS	EN 31:2011, EN 14688:2015

TAP HOLES	1TH
FIXINGS INCLUDED	No
OVERFLOW	Yes
BASIN WASTE SIZE	45mm

## TECHNICAL DIMENSIONS

Dimensions in mm unless otherwise specified.

Tolerances (per material type) apply.



**SPARES LIST**

Only the parts labelled are available as spares.

**NO SPARES AVAILABLE**

# PRODUCT DATA SHEET

*Burlington*<sup>®</sup>



## PRODUCT CODE

GU0562SCW

## RANGE

Guild

## DESCRIPTION

Guild Basin 56cm 2TH White

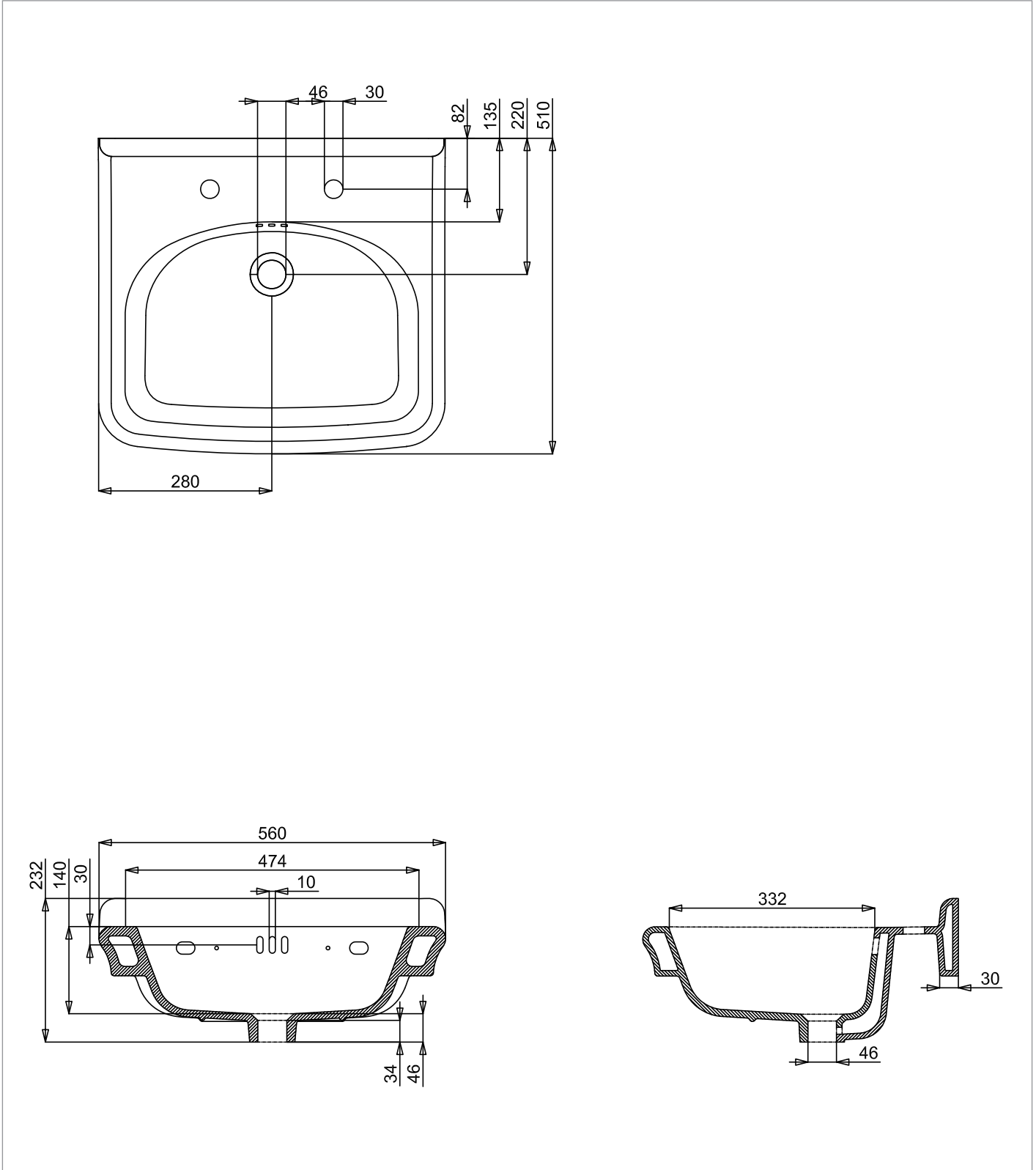
CATEGORY	Sanitaryware
WARRANTY DETAILS	Lifetime
COLOUR	Gloss White
FINISH APPLICATION	Glazed
PRIMARY MATERIAL	Fine Fire Clay
INSTALL TYPE	Wall Mounted
PRODUCT WIDTH MM	560
PRODUCT HEIGHT MM	232
PRODUCT DEPTH MM	510
PRODUCT NET WEIGHT KG	15.5
STANDARDS	EN 31:2011, EN 14688:2015

TAP HOLES	2TH
FIXINGS INCLUDED	No
OVERFLOW	Yes
BASIN WASTE SIZE	45mm

## TECHNICAL DIMENSIONS

Dimensions in mm unless otherwise specified.

Tolerances (per material type) apply.



**SPARES LIST**

Only the parts labelled are available as spares.

**NO SPARES AVAILABLE**

# PRODUCT DATA SHEET

*Burlington*<sup>®</sup>



## PRODUCT CODE

GU0563SCW

## RANGE

Guild

## DESCRIPTION

Guild Basin 56cm 3TH White

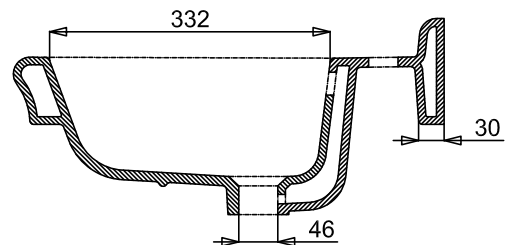
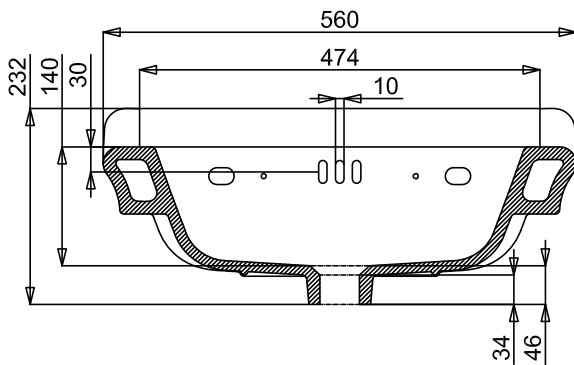
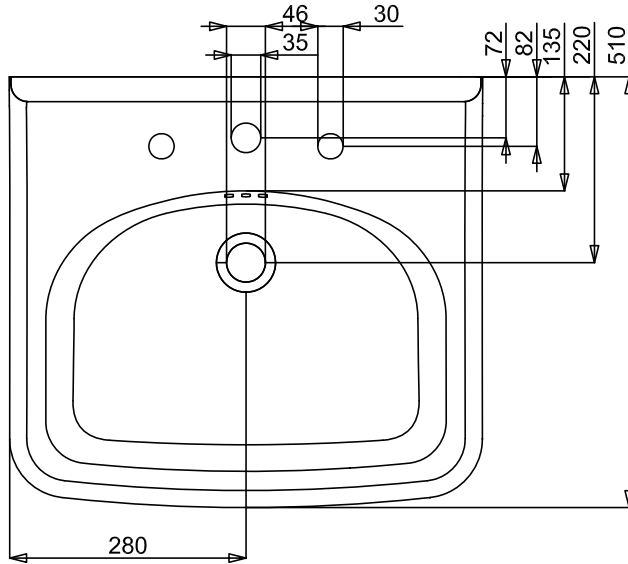
CATEGORY	Sanitaryware
WARRANTY DETAILS	Lifetime
COLOUR	Gloss White
FINISH APPLICATION	Glazed
PRIMARY MATERIAL	Fine Fire Clay
INSTALL TYPE	Wall Mounted
PRODUCT WIDTH MM	560
PRODUCT HEIGHT MM	232
PRODUCT DEPTH MM	510
PRODUCT NET WEIGHT KG	15.5
STANDARDS	EN 31:2011, EN 14688:2015

TAP HOLES	3TH
FIXINGS INCLUDED	No
OVERFLOW	Yes
BASIN WASTE SIZE	45mm

## TECHNICAL DIMENSIONS

Dimensions in mm unless otherwise specified.

Tolerances (per material type) apply.





**SPARES LIST**

Only the parts labelled are available as spares.

**NO SPARES AVAILABLE**

# PRODUCT DATA SHEET

*Burlington*<sup>®</sup>



## PRODUCT CODE

GU5600DAG\_FS

## RANGE

Guild

## DESCRIPTION

Guild Floor Standing Vanity 560mm  
Ashbee Grey c/w handles

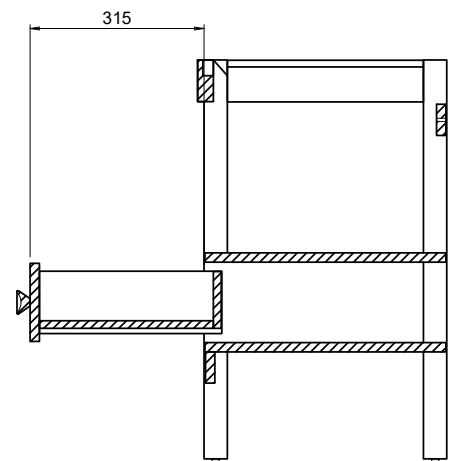
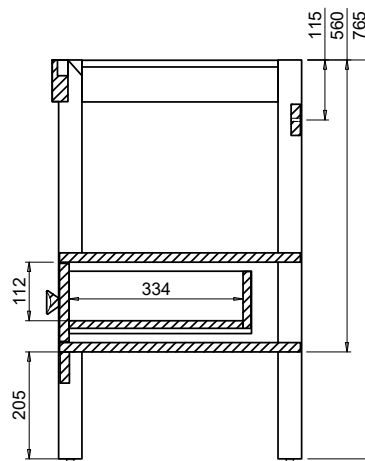
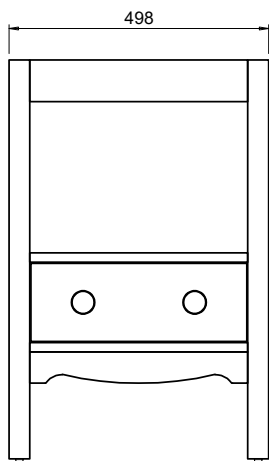
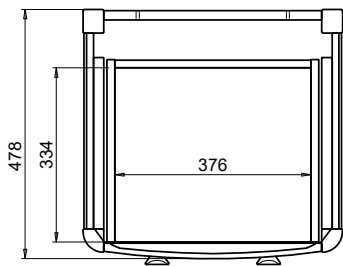
CATEGORY	Furniture
WARRANTY DETAILS	10 Years
COLOUR	Ashbee Grey
FINISH APPLICATION	Lacquered
PRIMARY MATERIAL	MDF
INSTALL TYPE	Floor Standing
PRODUCT WIDTH MM	498
PRODUCT HEIGHT MM	770
PRODUCT DEPTH MM	478
PRODUCT NET WEIGHT KG	22.5
STANDARDS	EN14749:2016

COLOUR CODE / REFERENCE	NCS S8000-N
DRAWER BOX	MDF
DRAWER RUNNERS	DTC / SS10C350H1
DRAWER EXTENSION	Full extension
DRAWER ADJUSTMENT	2 way adjustment
WALL HANGERS	No
ADJUSTABLE FEET	Yes
DRAWER CAPACITY	15 kgs
DRAWER OPERATION	Soft close

## TECHNICAL DIMENSIONS

Dimensions in mm unless otherwise specified.

Tolerances (per material type) apply.



## SPARES LIST

Only the parts labelled are available as spares.

SPARES AVAILABLE UPON REQUEST