

16

15

14

13

12

11

10

9

8

7

6

5

4

3

2

1

M

L

K

J

H

G

F

E

D

C

B

A

M

L

K

J

H

G

F

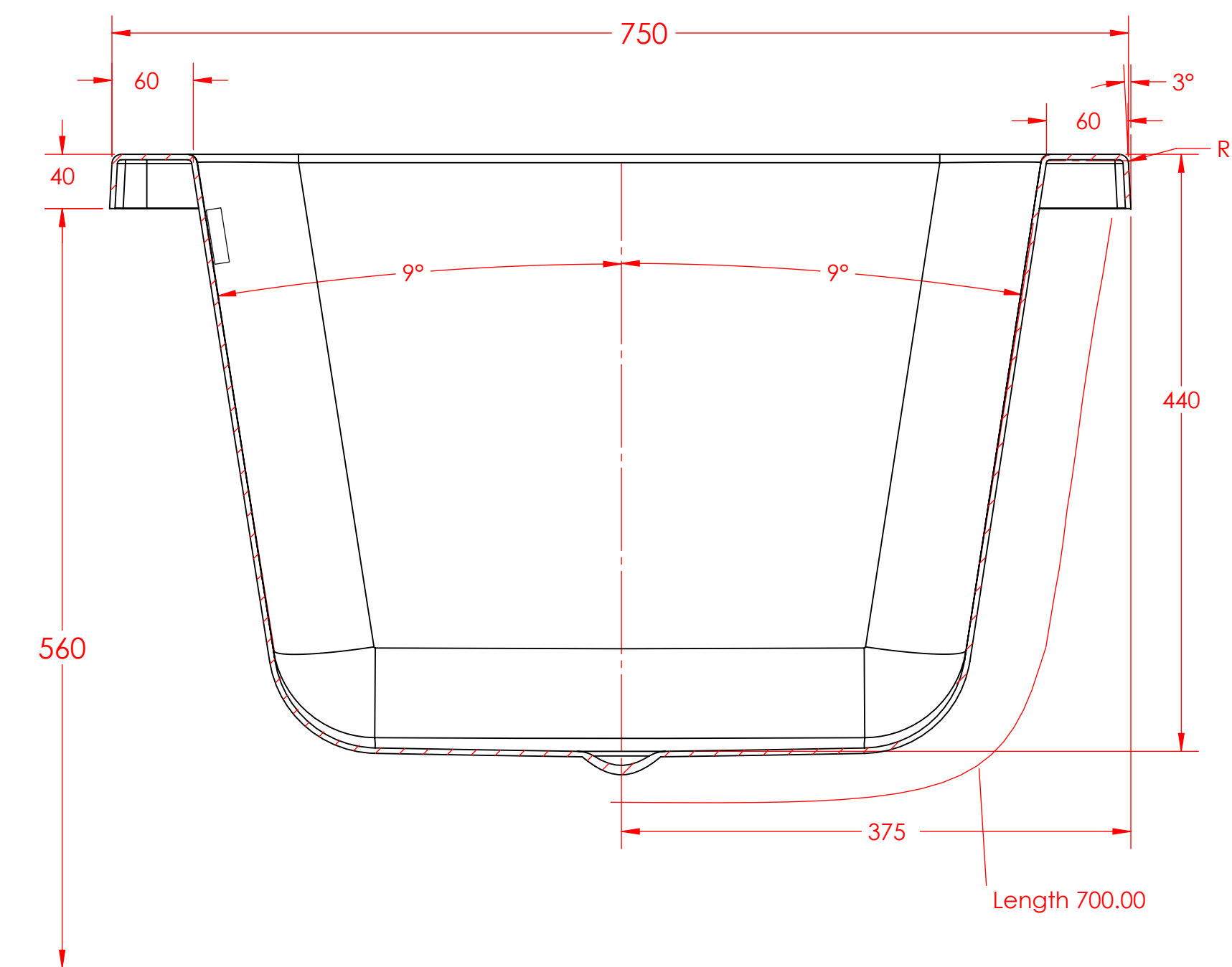
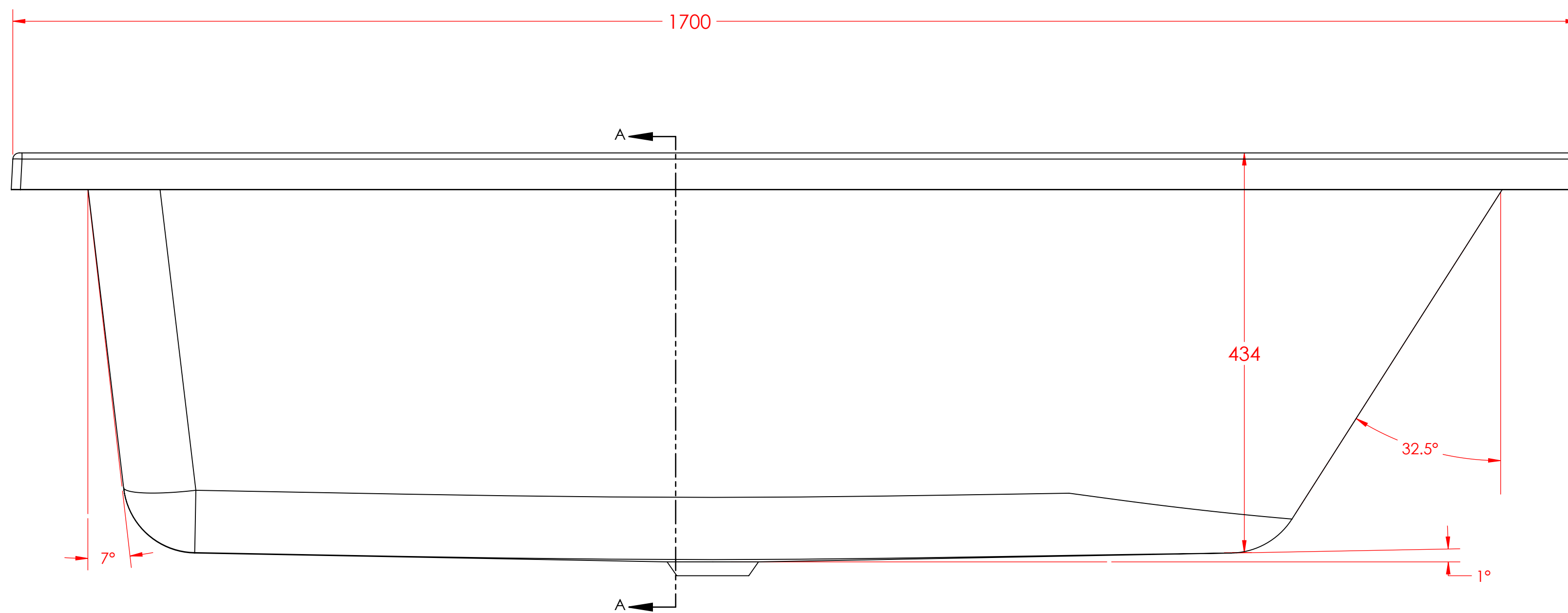
E

D

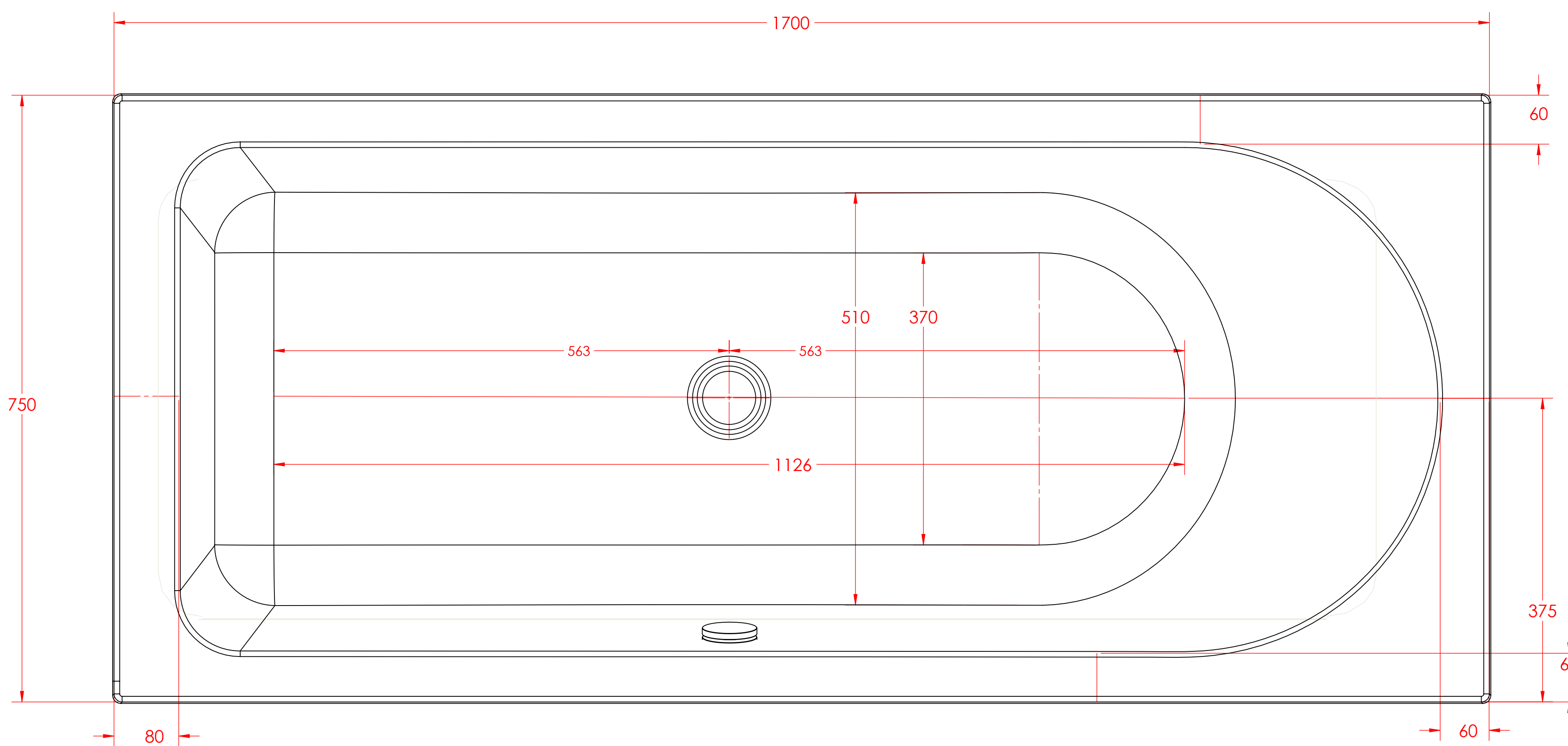
C

B

A



SECTION A-A
SCALE 1:4



16

15

14

13

12

11

10

9

8

7

6

5

4

3

2

1

16

15

14

13

12

11

10

9

8

7

6

5

4

3

2

1

M

L

K

J

H

G

F

E

D

C

B

A

M

L

K

J

H

G

F

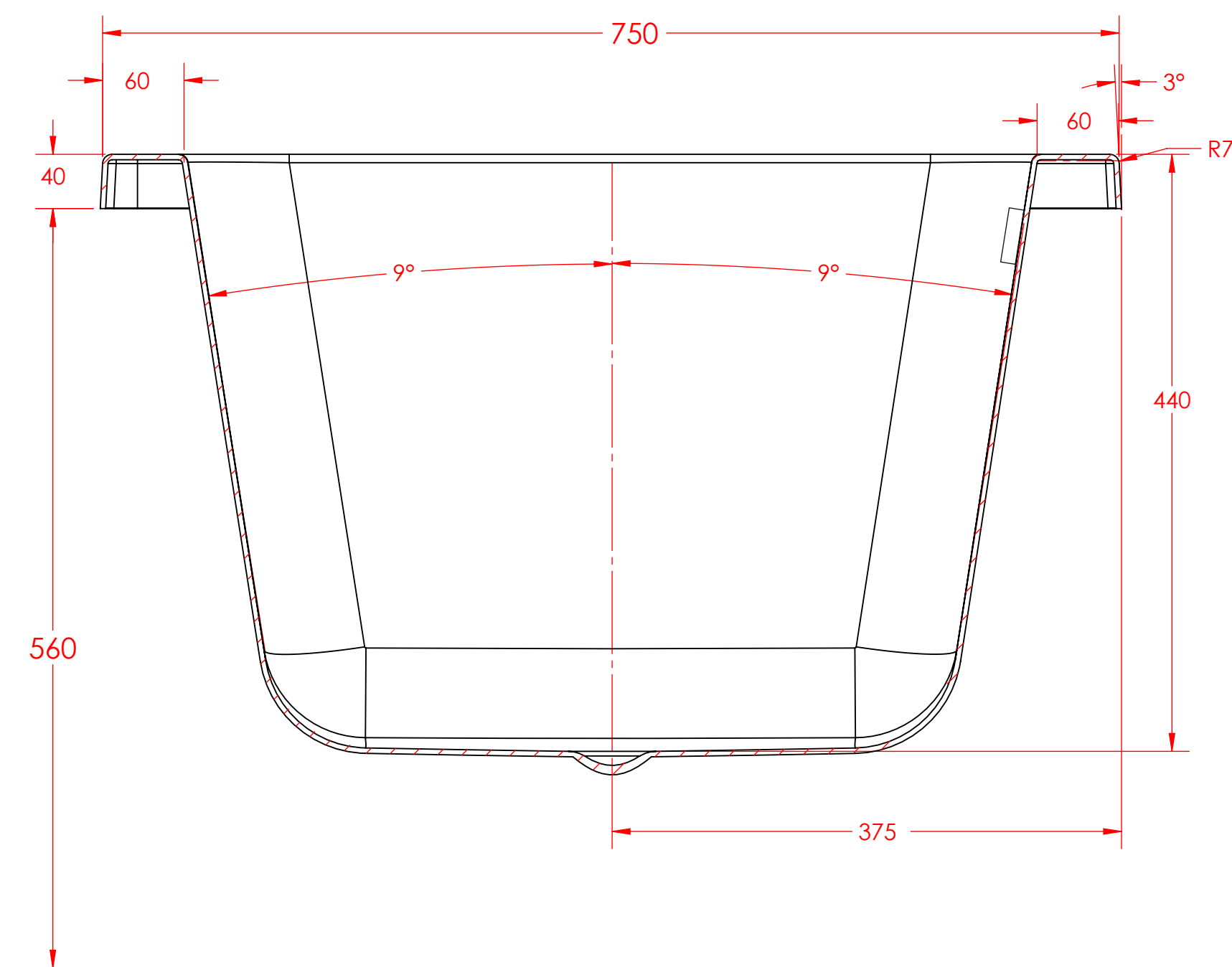
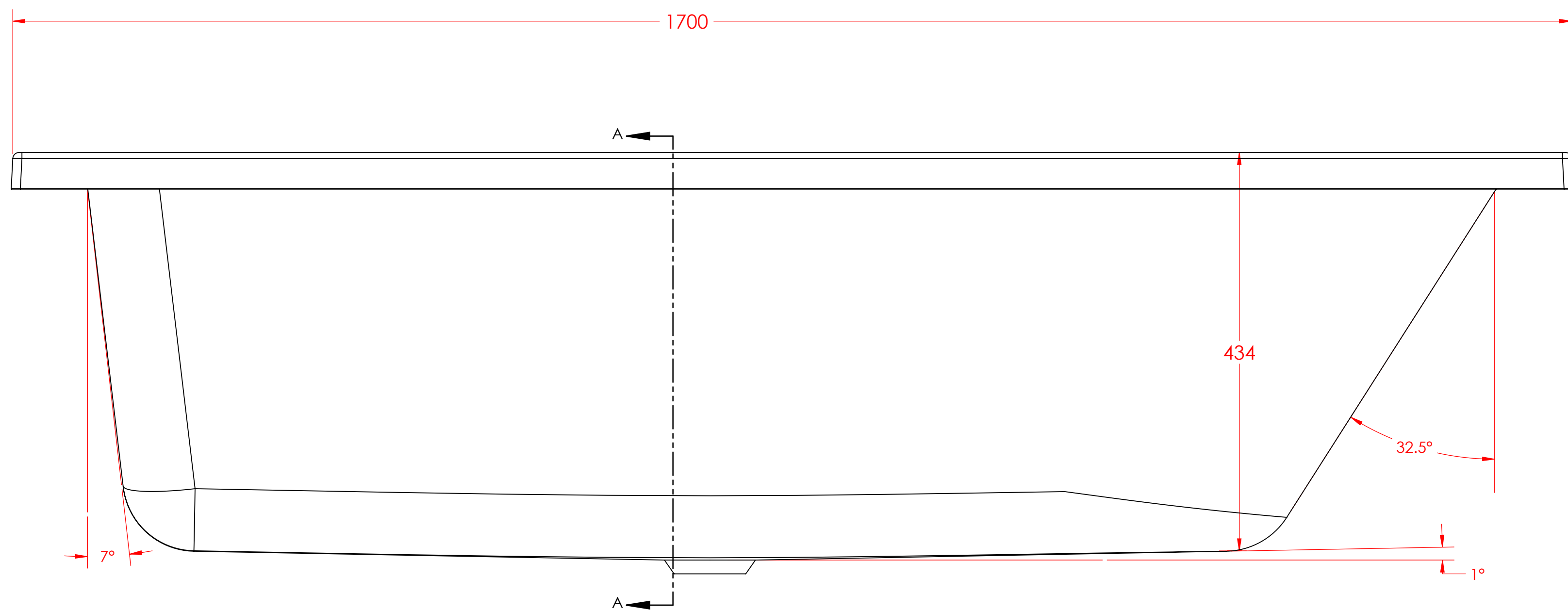
E

D

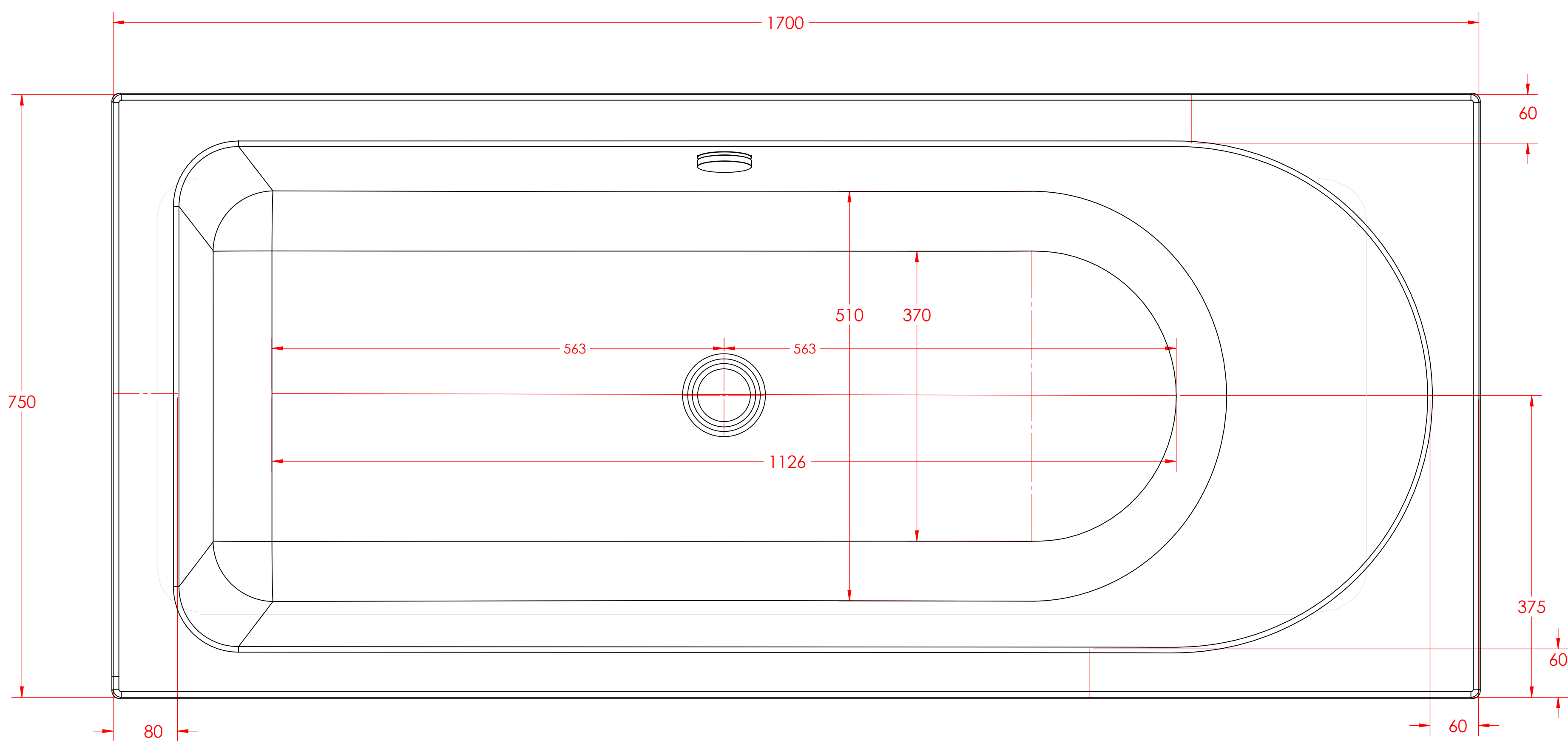
C

B

A



SECTION A-A
SCALE 1:4



16

15

14

13

12

11

10

9

8

7

6

5

4

3

2

1