

# PRODUCT DATA SHEET

*Burlington*<sup>®</sup>



## PRODUCT CODE

E31

## RANGE

Baths

## DESCRIPTION

Arundel Double Ended Bath 1700x700  
White

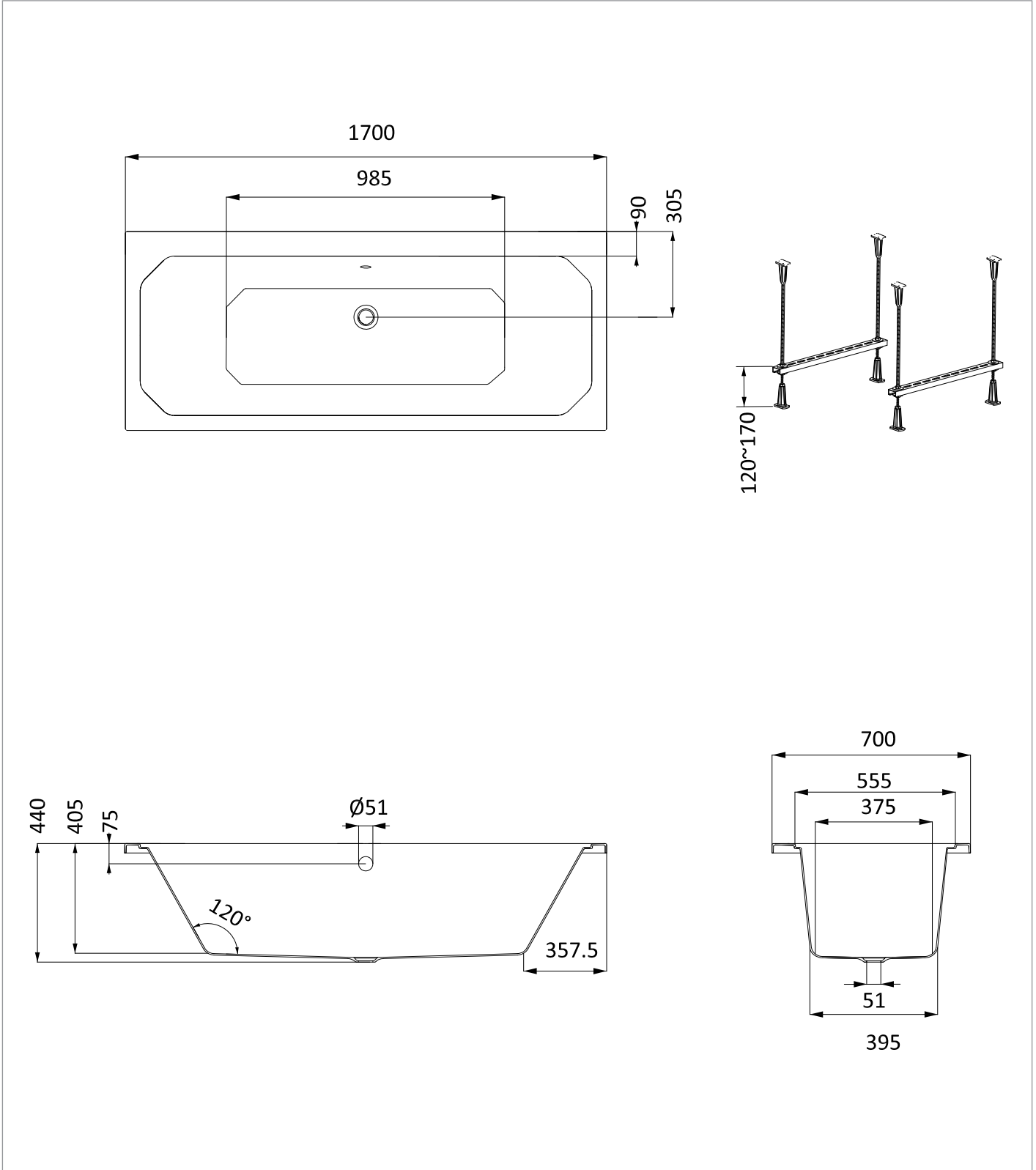
CATEGORY	Baths
WARRANTY DETAILS	10 Years
COLOUR	Gloss White
PRIMARY MATERIAL	Acrylic
INSTALL TYPE	Floor Mounted
PRODUCT WIDTH MM	700
PRODUCT HEIGHT MM	440
PRODUCT LENGTH MM	1700
PRODUCT NET WEIGHT KG	26
STANDARDS	EN 14516:2015+A1:2018

WEIGHT AT CAPACITY 1 (KG)	155
CAPACITY 2 (L) - WATER AT OVERFLOW LEVEL WITH 1 PERSON	85
BUILT IN OVERFLOW	No
HEIGHT ADJUSTMENT	560
THICKNESS	4
WASTE DIAMETER	51
CAPACITY 1 (L) - WATER AT OVERFLOW LEVEL BATHS	155

## TECHNICAL DIMENSIONS

Dimensions in mm unless otherwise specified.

Tolerances (per material type) apply.



## SPARES LIST

Only the parts labelled are available as spares.

--