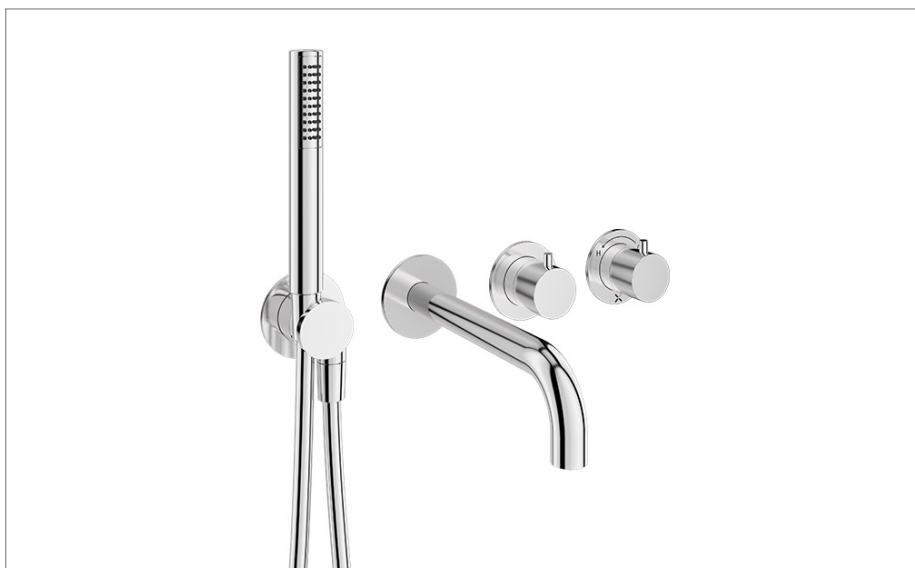


PRODUCT DATA SHEET



PRODUCT CODE
PROMOD440TRIMC

RANGE
Module

DESCRIPTION
Module 2 Control Trimset Chrome With
Bath Spout And Handshower

COLOUR Chrome

MATERIAL Brass

FINISH Electroplating

INSTALLATION TYPE Wall Mounted

WEIGHT 2.4kg

WARRANTY 15 Years

MIN. PRESSURE 1 Bar

MAX. PRESSURE 5 Bar

MOD440R - 2 OUTLET

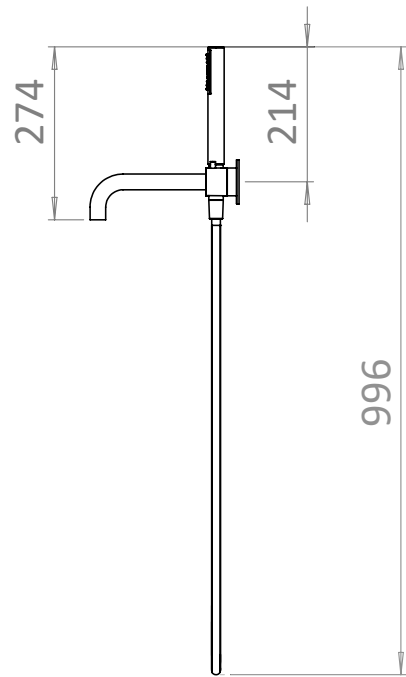
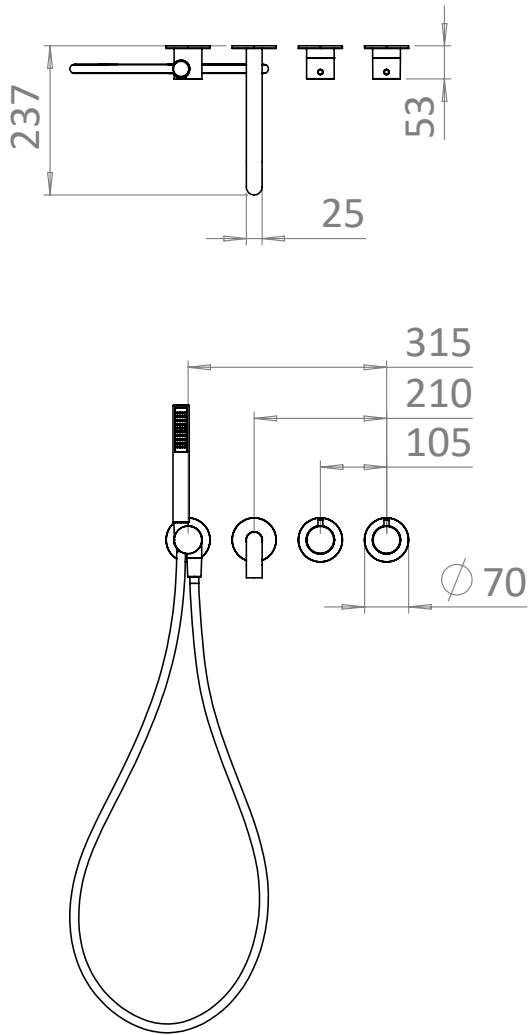
FLOWRATE

PRESSURE (BAR)	EXIT 1 TOP OR BOTTOM	EXIT 2 BATH SPOUT	EXIT 3 HAND SHOWER	
MID	0.5	8.5	8	4.1
	1	12.4	11.7	6
	2	18	17	8.5
HIGH	3	22	21	10.6
	4	25.6	24	12.3
	5	28.5	26.7	13.8

TECHNICAL DIMENSIONS

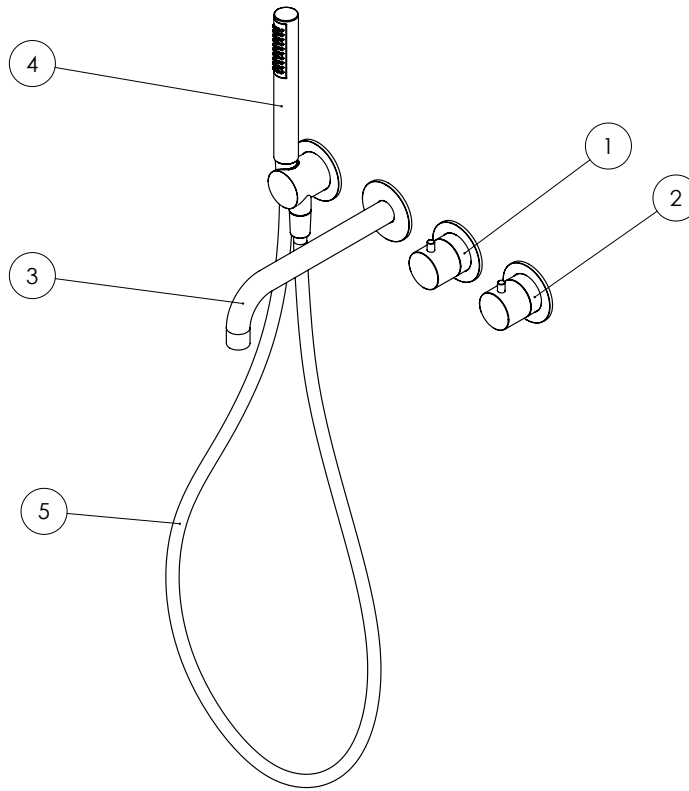
Dimensions in mm unless otherwise specified.

Tolerances (per material type) apply.



V10622

SPARES DIAGRAM



NUMBER	PART CODE	DESCRIPTION
1	E005058.021HESC	Mod Handle, Collar and Plate for Diverter Chrome
2	E005056.021HESC	Mod Handle, Collar and Plate for Thermostat Chrome
3	E098007.021HESC	Module Bath Spout Chrome
4	E082019.00200SC	Module Handshower Chrome
5	C084021.00001SA	Module Shower Hose Chrome

Only the parts labelled are available as spares.

V10622