

PRODUCT DATA SHEET



PRODUCT CODE
PROMODDIVLBPV

RANGE
MODULE

DESCRIPTION
Module 2 Control Diverter Trimset
Brushed Stainless Steel Effect

COLOUR Brushed Stainelss Steel Effect

MATERIAL Brass

FINISH APPLICATION PVD

INSTALLATION TYPE Wall Mounted

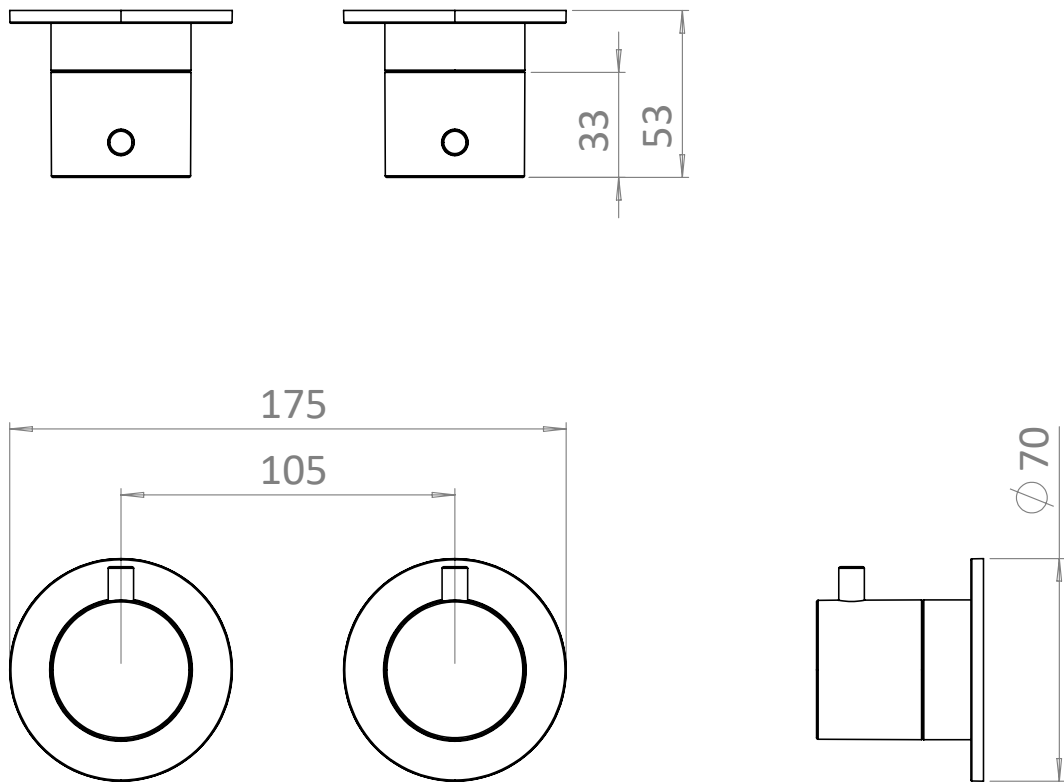
WEIGHT 0.95kg

WARRANTY 15 Years

TECHNICAL DIMENSIONS

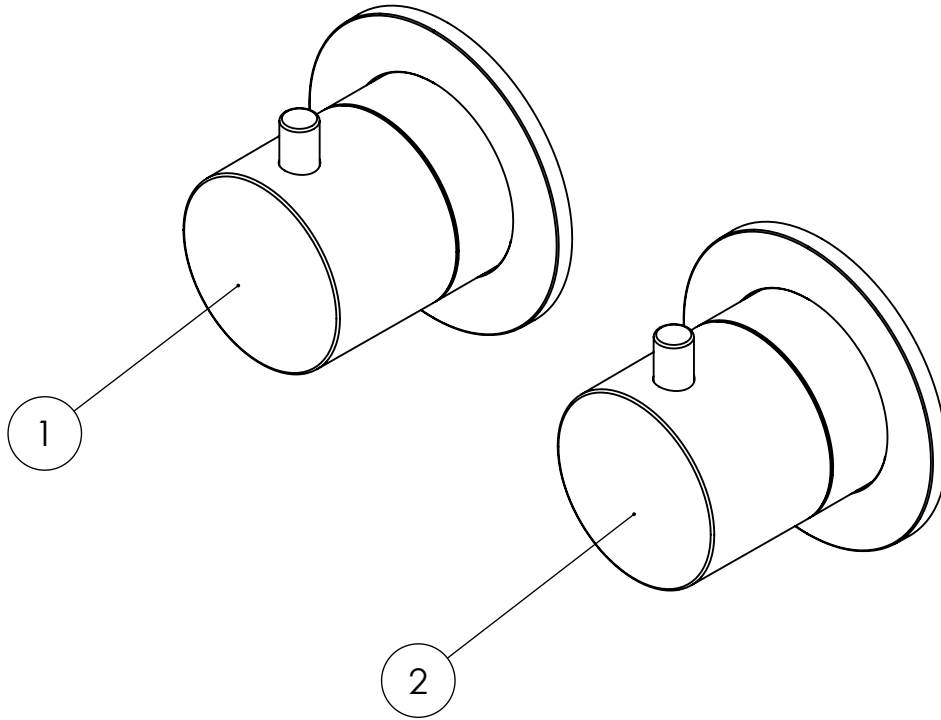
Dimensions in mm unless otherwise specified.

Tolerances (per material type) apply.



V10622

SPARES DIAGRAM



NUMBER	PART CODE	DESCRIPTION
1	E005058.275HESC	Mod Handle, Collar and Plate for Diverter Stainless Steel Effect
2	E005056.275HESC	Mod Handle, Collar and Plate for Thermostat Stainless Steel Effect

Only the parts labelled are available as spares.

V10622