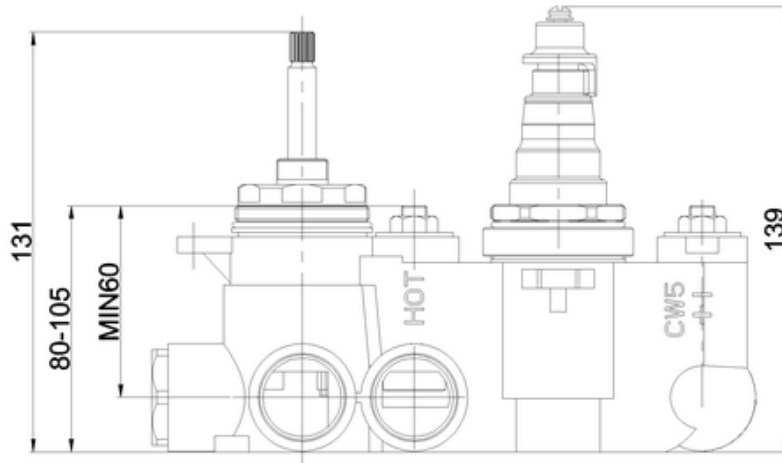
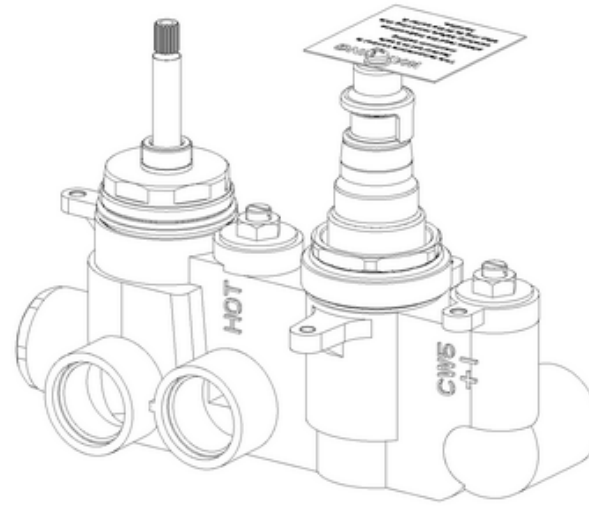
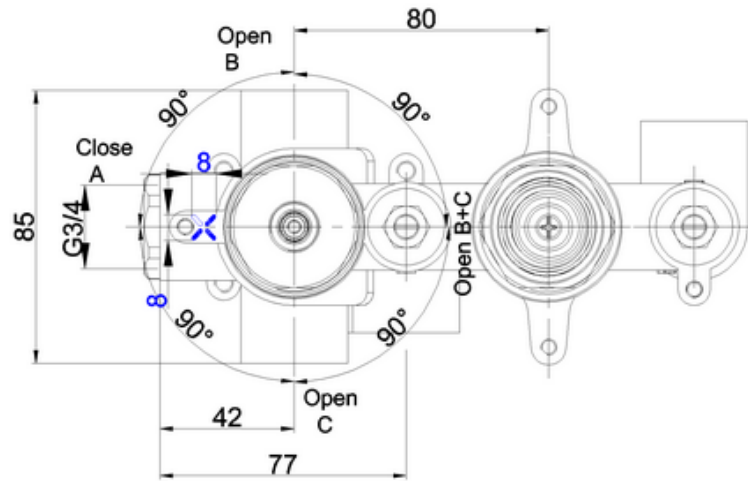


# WLBP25X31R+ - 2Outlet Thermo Valve MultiFlow NO COLLARS Landscape



**Note:**

For the each part, the dimension tolerance should be followed the list below.

| 0 ~ 100 | 101 ~ 200 | 201 ~ 400 | ≥401 |
|---------|-----------|-----------|------|
| ±1      | ±2        | ±3        | ±5   |

For the finished assembly, the dimension tolerance should be followed the list below.

| 0 ~ 300 | ≥301 |
|---------|------|
| ±2      | ±5   |