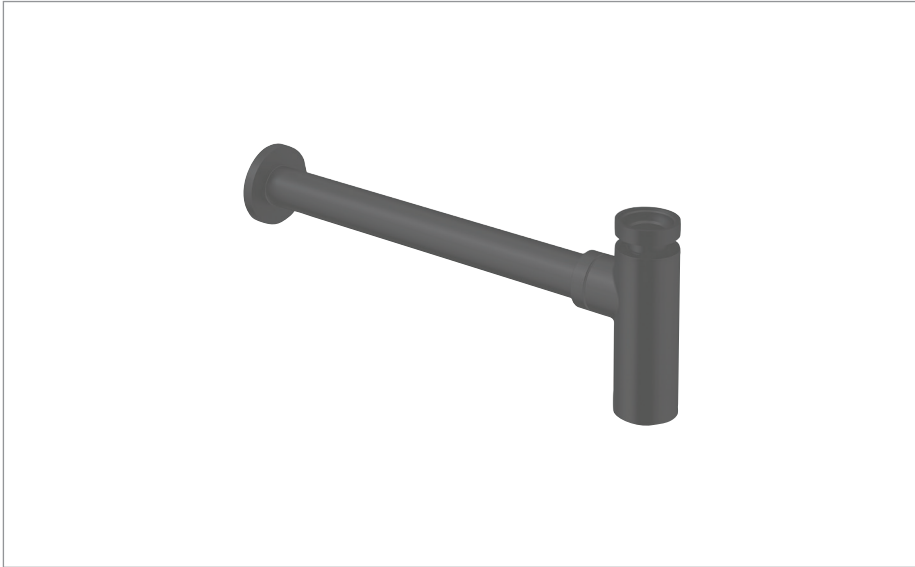


PRODUCT DATA SHEET



PRODUCT CODE

TS0402ST

RANGE

3ONE6

DESCRIPTION

3ONE6 Tall Bottle Trap Stainless Slate

WEBSITE LINK [Click Here](#)

| | |
|-----------------------|---------------------|
| CATEGORY | Brassware |
| WARRANTY DETAILS | 15 Years |
| COLOUR | Slate |
| FINISH APPLICATION | PVD |
| PRIMARY MATERIAL | 316 Stainless Steel |
| INSTALL TYPE | Basin Mounted |
| PRODUCT WIDTH MM | 70 |
| PRODUCT HEIGHT MM | 151 |
| PRODUCT LENGTH MM | 450 |
| PRODUCT NET WEIGHT KG | 1.22 |

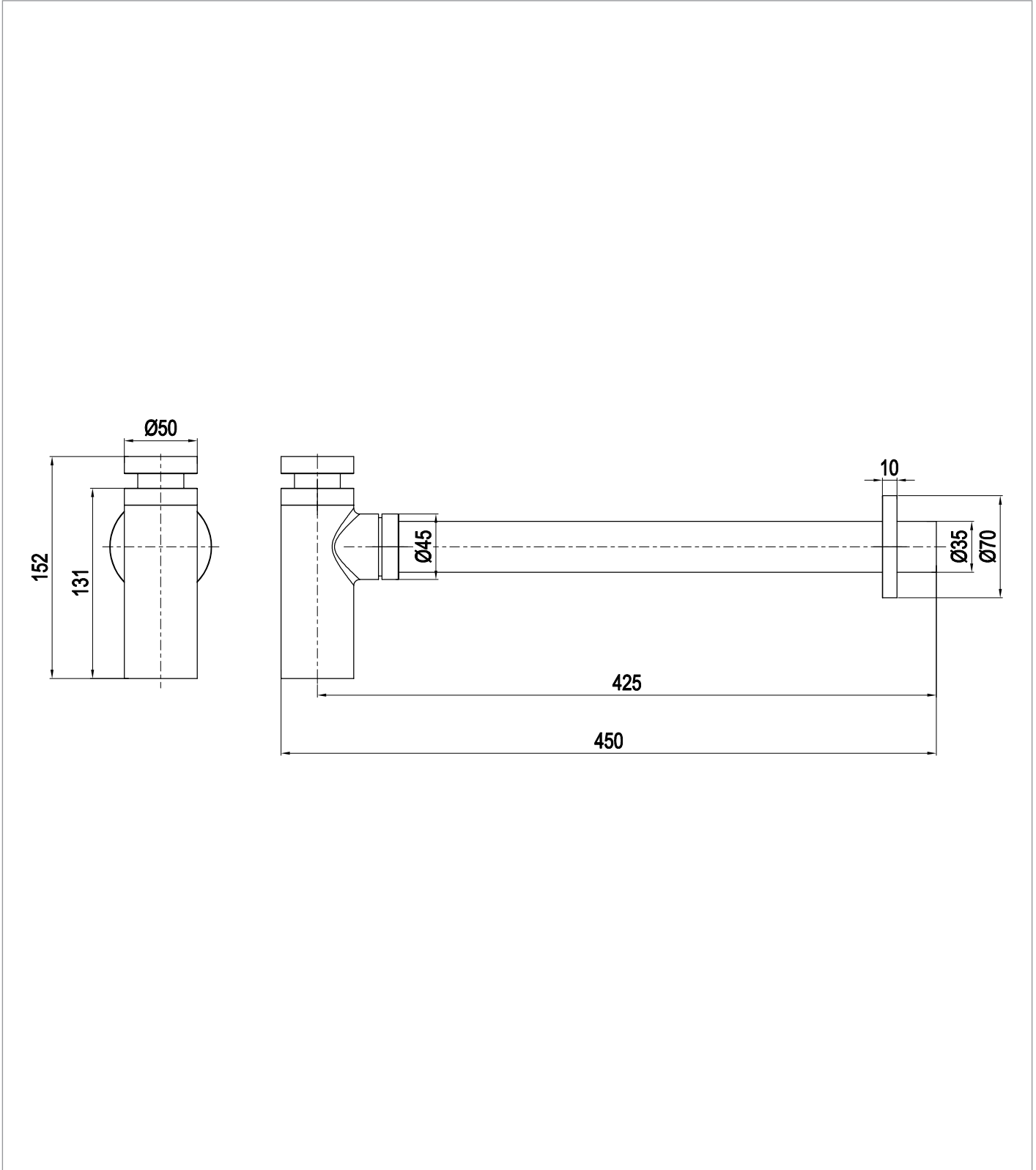
| | |
|-------------------------------------|--------|
| INLET CONNECTIONS THREAD WASTE/TRAP | G1.1/4 |
| WATER SEAL HEIGHT (MM) | 74 |
| ADJUSTMENT (MIN - MAX) | 0-85 |

| | | | | | | | |
|---------------------|-----|-----|---|---|---|---|---|
| PRESSURE (BAR) | 0.2 | 0.5 | 1 | 2 | 3 | 4 | 5 |
| PRIMARY FLOWRATE | | | | | | | |
| HANDSET FLOWRATE | | | | | | | |
| MASSAGE FLOW RATE | | | | | | | |
| AIR FLOW RATE | | | | | | | |
| WIRE FLOW RATE | | | | | | | |
| WATERFALL FLOW RATE | | | | | | | |
| MIST FLOW RATE | | | | | | | |
| HANDSPRAY FLOW RATE | | | | | | | |

TECHNICAL DIMENSIONS

Dimensions in mm unless otherwise specified.

Tolerances (per material type) apply.



SPARES LIST

Only the parts labelled are available as spares.

| |
|--|
| |
|--|