

PRODUCT DATA SHEET



PRODUCT CODE

TS0290SF

RANGE

3ONE6

DESCRIPTION

3ONE6 Universal Basin Waste Stainless Brushed Brass Effect

WEBSITE LINK [Click Here](#)

CATEGORY	Brassware
WARRANTY DETAILS	15 Years
COLOUR	Brushed Brass Effect
FINISH APPLICATION	PVD
PRIMARY MATERIAL	316 Stainless Steel
INSTALL TYPE	Basin Mounted
PRODUCT WIDTH MM	66
PRODUCT HEIGHT MM	117
PRODUCT DEPTH MM	66
PRODUCT NET WEIGHT KG	0.3

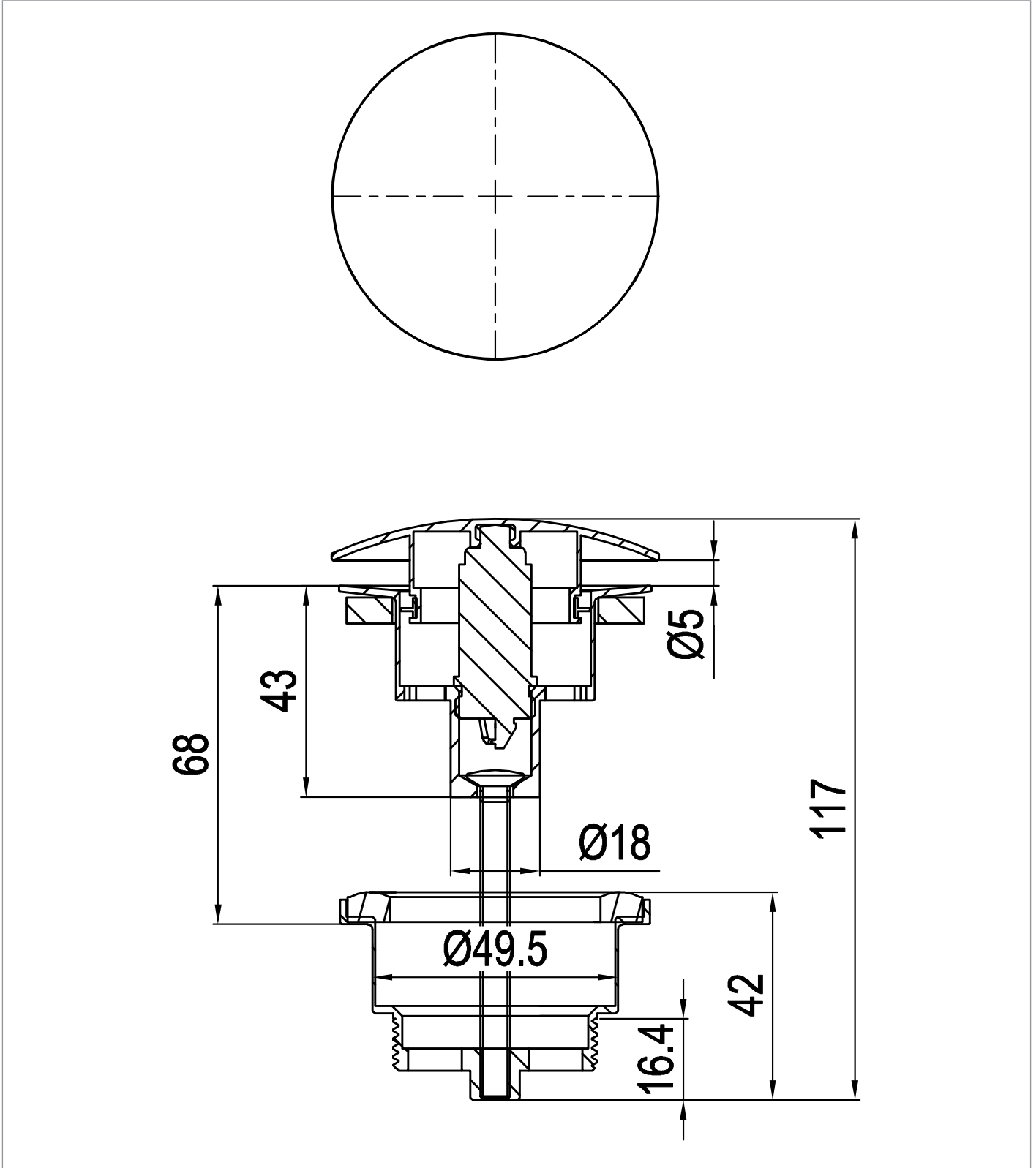
OUTLET CONNECTIONS THREAD WASTE/TRAP	G1.1/4
WASTE WATER FLOW RATE	3
ADJUSTMENT (MIN - MAX)	12-60

PRESSURE (BAR)	0.2	0.5	1	2	3	4	5
PRIMARY FLOWRATE							
HANDSET FLOWRATE							
MASSAGE FLOW RATE							
AIR FLOW RATE							
WIRE FLOW RATE							
WATERFALL FLOW RATE							
MIST FLOW RATE							
HANDSPRAY FLOW RATE							

TECHNICAL DIMENSIONS

Dimensions in mm unless otherwise specified.

Tolerances (per material type) apply.



SPARES LIST

Only the parts labelled are available as spares.

--