

# PRODUCT DATA SHEET



## PRODUCT CODE

TS029ST

## RANGE

3ONE6

## DESCRIPTION

3ONE6 Toilet Roll Holder Stainless Slate

WEBSITE LINK [Click Here](#)

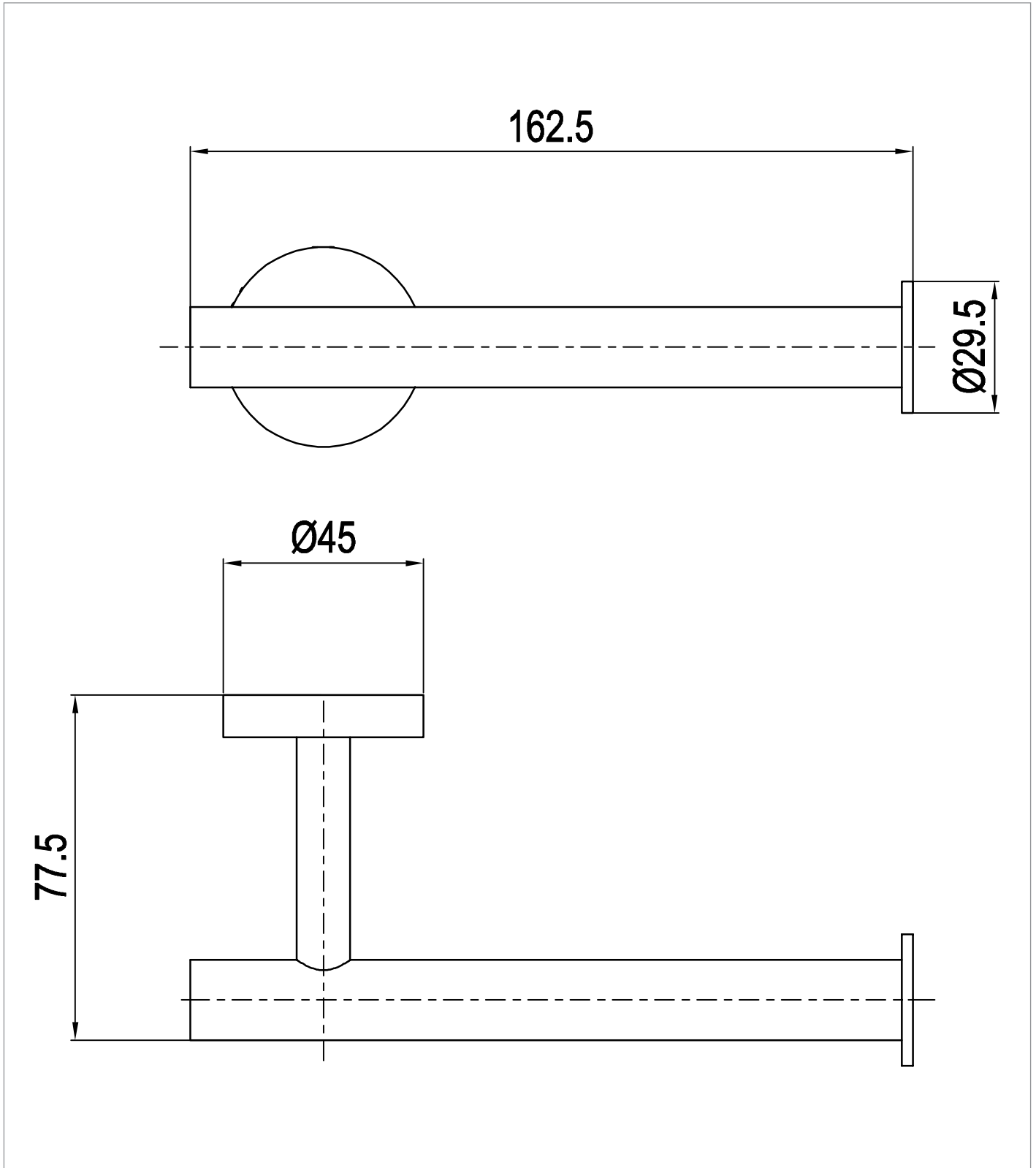
CATEGORY	Accessories
WARRANTY DETAILS	15 Years
COLOUR	Slate
FINISH APPLICATION	PVD
PRIMARY MATERIAL	316 Stainless Steel
INSTALL TYPE	Wall Mounted
PRODUCT WIDTH MM	162.5
PRODUCT HEIGHT MM	45
PRODUCT DEPTH MM	77.5
PRODUCT NET WEIGHT KG	0.19

PRESSURE (BAR)	0.2	0.5	1	2	3	4	5
PRIMARY FLOWRATE							
HANDSET FLOWRATE							
MASSAGE FLOW RATE							
AIR FLOW RATE							
WIRE FLOW RATE							
WATERFALL FLOW RATE							
MIST FLOW RATE							
HANDSPRAY FLOW RATE							

## TECHNICAL DIMENSIONS

Dimensions in mm unless otherwise specified.

Tolerances (per material type) apply.



## SPARES LIST

Only the parts labelled are available as spares.

**NO SPARES AVAILABLE**