

# PRODUCT DATA SHEET



**PRODUCT CODE**  
FOMOD1701TRIMC

**RANGE**  
Module

**DESCRIPTION**  
Module Foile 2 Handle With Handshower Chrome

**WEBSITE LINK** [Click Here](#)

CATEGORY	Brassware
WARRANTY DETAILS	15 Years
COLOUR	Chrome
FINISH APPLICATION	Electroplated
PRIMARY MATERIAL	Brass
INSTALL TYPE	Wall Mounted
PRODUCT WIDTH MM	385
PRODUCT HEIGHT MM	264
PRODUCT DEPTH MM	277
PRODUCT NET WEIGHT KG	1.9

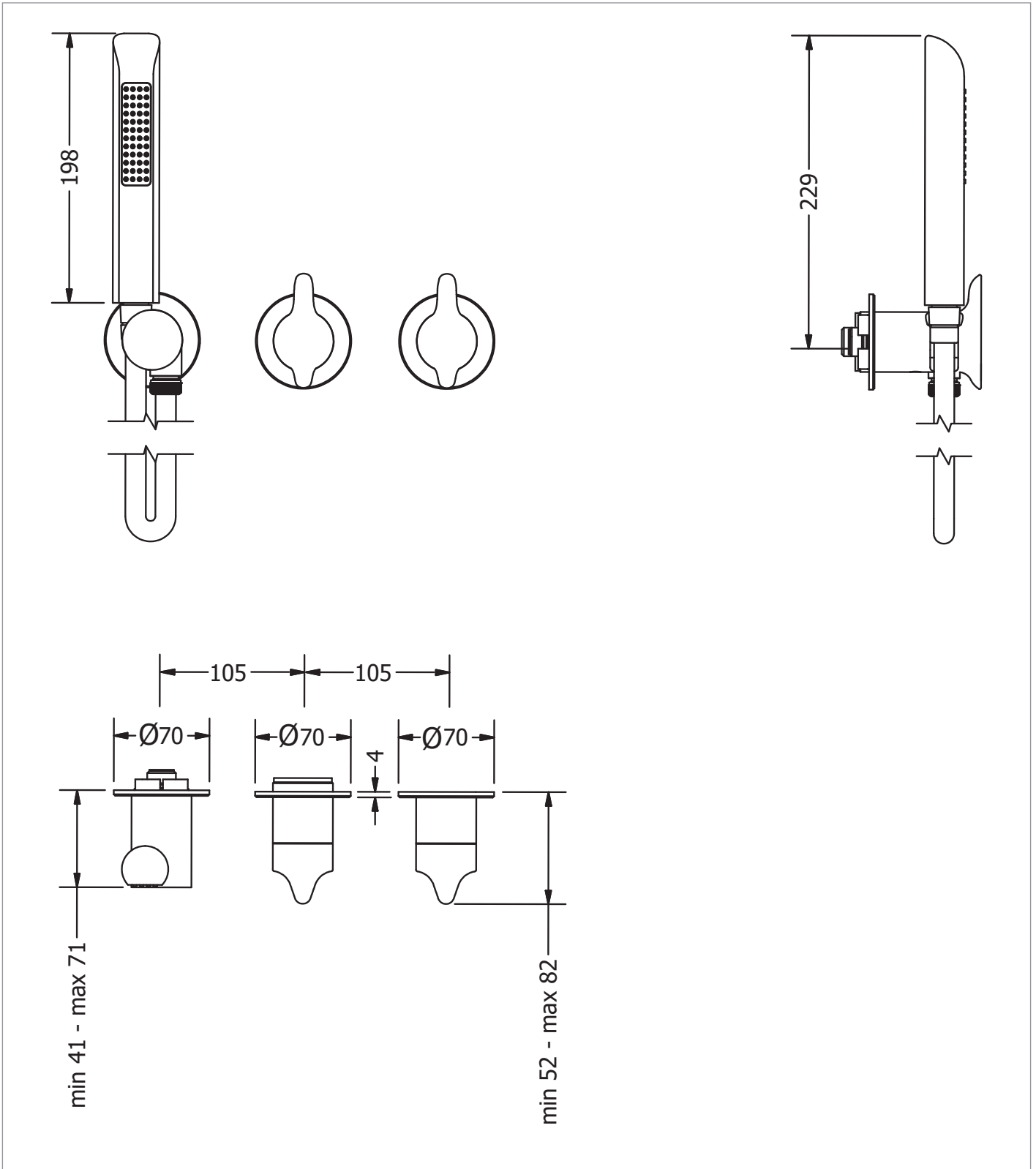
MINIMUM PRESSURE (BAR)	1
MAX WORKING PRESSURE (BAR)	5
NUMBER OF OUTLETS	1
NUMBER OF FUNCTIONS	1
HEADWORK	3/4" Quarter turn ceramic cartridge
WASTE INCLUDED	No
ANTI-SCALD	No
ENERGY SAVING	No
SHOWER HOSE & HANDSET ARE INCLUDED	Yes

PRESSURE (BAR)	0.2	0.5	1	2	3	4	5
PRIMARY FLOWRATE			3.9	4.8	5	5	5
HANDSET FLOWRATE							
MASSAGE FLOW RATE							
AIR FLOW RATE							
WIRE FLOW RATE							
WATERFALL FLOW RATE							
MIST FLOW RATE							
HANDSPRAY FLOW RATE							

## TECHNICAL DIMENSIONS

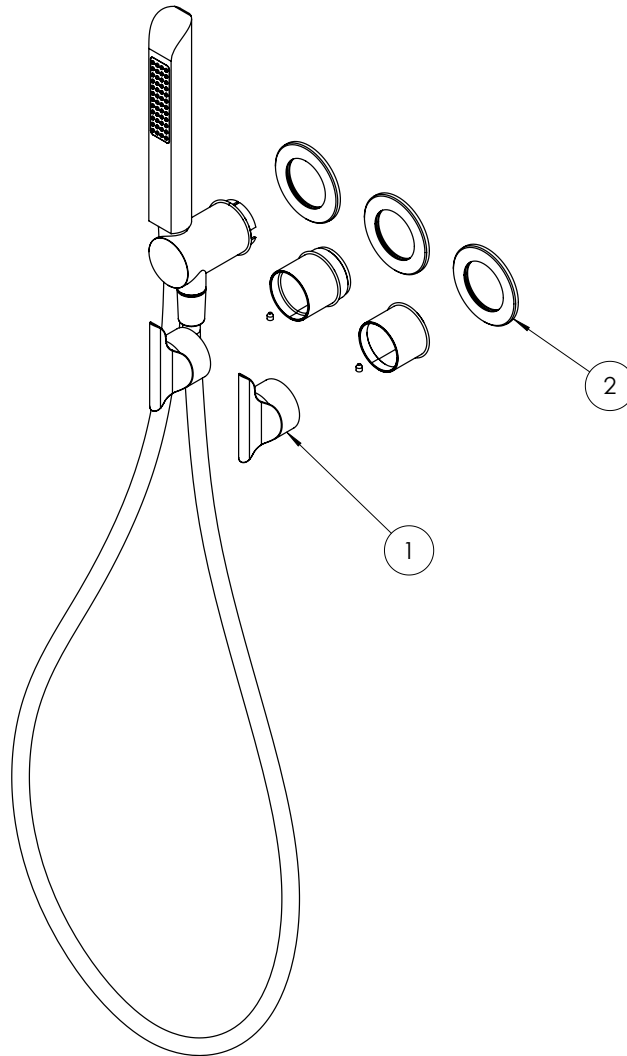
Dimensions in mm unless otherwise specified.

Tolerances (per material type) apply.



## SPARES LIST

Only the parts labelled are available as spares.



NUMBER	PART CODE	DESCRIPTION
1	57FLSP008C	Foile Module Handle Chrome
	57FLSP008F	Foile Module Handle Brushed Brass
	57FLSP008M	Foile Module Handle Matt Black
2	57FLSP014C	Foile Module Wall Plate Chrome
	57FLSP014F	Foile Module Wall Plate Brushed Brass
	57FLSP014M	Foile Module Wall Plate Matt Black

# PRODUCT DATA SHEET

## PRODUCT CODE

MOD1701R

## RANGE

Module

## DESCRIPTION

Module 2 Outlet Valve With Outlet For Bath Spout Or Handshower



MATERIAL	Brass
INSTALLATION TYPE	Wall Mounted
STANDARDS	EN 1111:2017
HEADWORK	Thermo Cartridge Flow Controls
INLET CONNECTIONS THREAD	G3/4"
OUTLET CONNECTIONS THREAD	G3/4"
WEIGHT	4kg
WARRANTY	15 Years (5 Years Cartridge)

MIN. PRESSURE 1 Bar

MAX. PRESSURE 5 Bar

### PROMOD1601TRIMx - 2 OUTLET

PRESSURE (BAR)	FLOWRATE			
	EXIT 1	EXIT 2	EXIT 1+2	
MID	0.5	9.2	4.2	9.3
	1	13	6	13.4
	2	18.7	8.5	19
HIGH	3	23	10.7	23.5
	4	26.5	12.3	27
	5	29.5	13.8	30.3

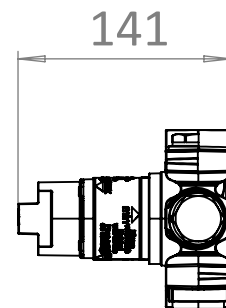
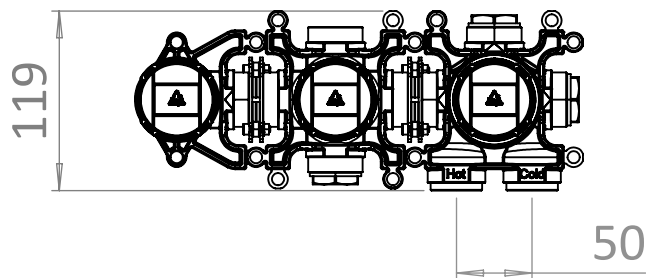
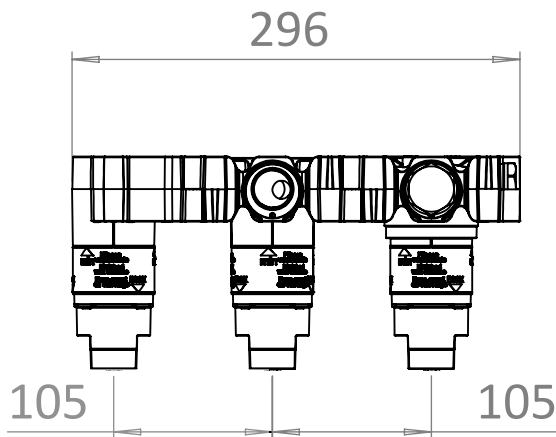
### PROMOD1701TRIMx - 2 OUTLET

PRESSURE (BAR)	FLOWRATE			
	EXIT 1	EXIT 2	EXIT 3	
MID	0.5	10	4.1	9.7
	1	13.7	6	13.4
	2	19.5	8.5	19
HIGH	3	23.8	10.6	23.3
	4	27.5	12.3	26.8
	5	30.5	13.8	29.8

## TECHNICAL DIMENSIONS

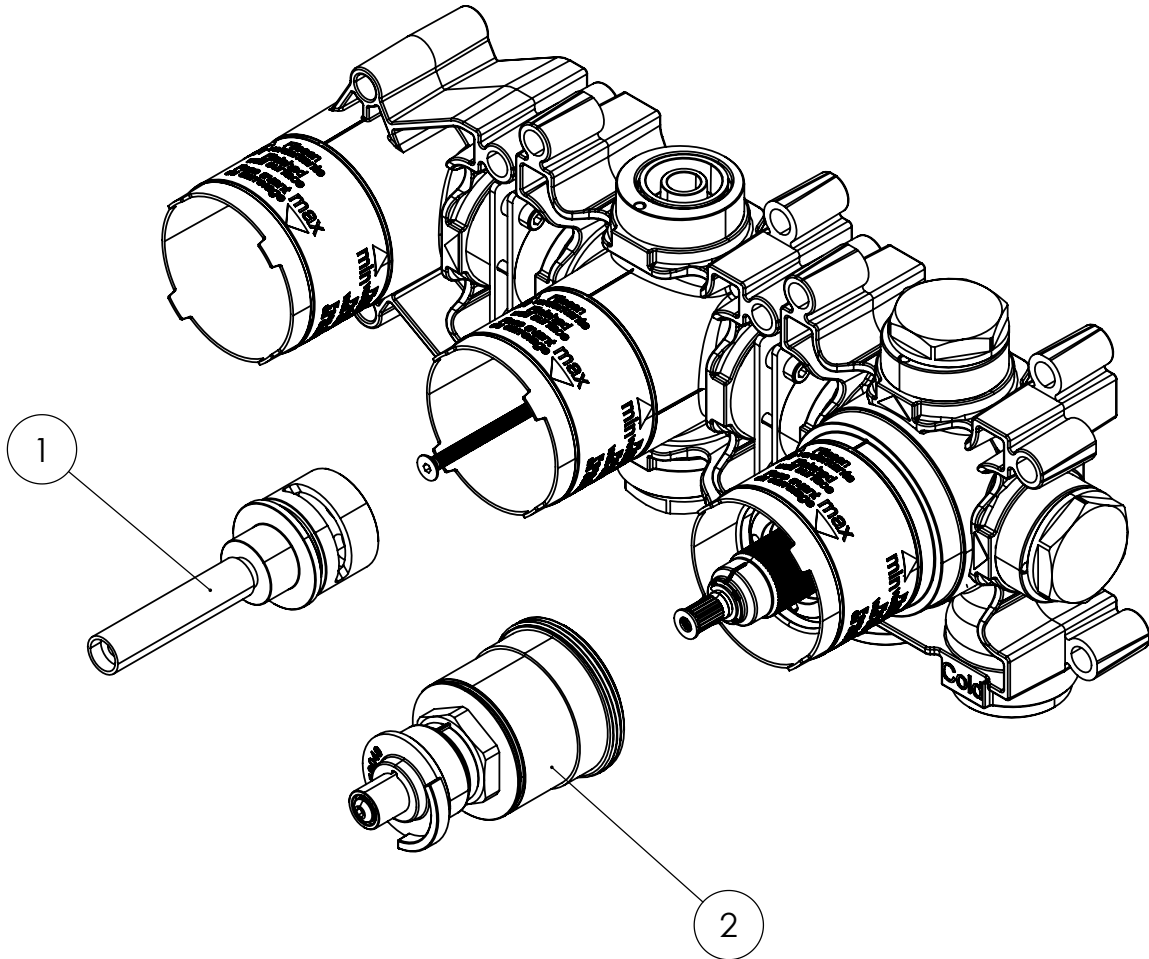
Dimensions in mm unless otherwise specified.

Tolerances (per material type) apply.



V10622

**SPARES DIAGRAM**



NUMBER	PART CODE	DESCRIPTION
1	E250005.000HESC	Module 2 Way Diverter Cartridge
2	E250031.000HESC	Module Thermo Cartridge

Only the parts labelled are available as spares.

V10822

# PRODUCT DATA SHEET



## PRODUCT CODE

MOD3701R

## RANGE

Module

## DESCRIPTION

Module 3 Outlet Valve Bath Spout Or Handshower And 2 Other Outlets

MATERIAL	Brass
INSTALLATION TYPE	Wall Mounted
STANDARDS	EN 1111:2017
HEADWORK	Thermo Cartridge Flow Controls
INLET CONNECTIONS THREAD	G3/4"
OUTLET CONNECTIONS THREAD	G3/4"
WEIGHT	4kg
WARRANTY	15 Years (5 Years Cartridge)

MIN. PRESSURE 1 Bar

MAX. PRESSURE 5 Bar

### PROMOD1601TRIMx - 3 OUTLET

PRESSURE (BAR)	FLOWRATE		
	EXIT 1	EXIT 2 BATH SPOUT	EXIT 3
MID	0.5	10	9.7
	1	13.7	13.4
	2	19.5	19
HIGH	3	23.8	23.3
	4	27.5	26.8
	5	30.5	29.8

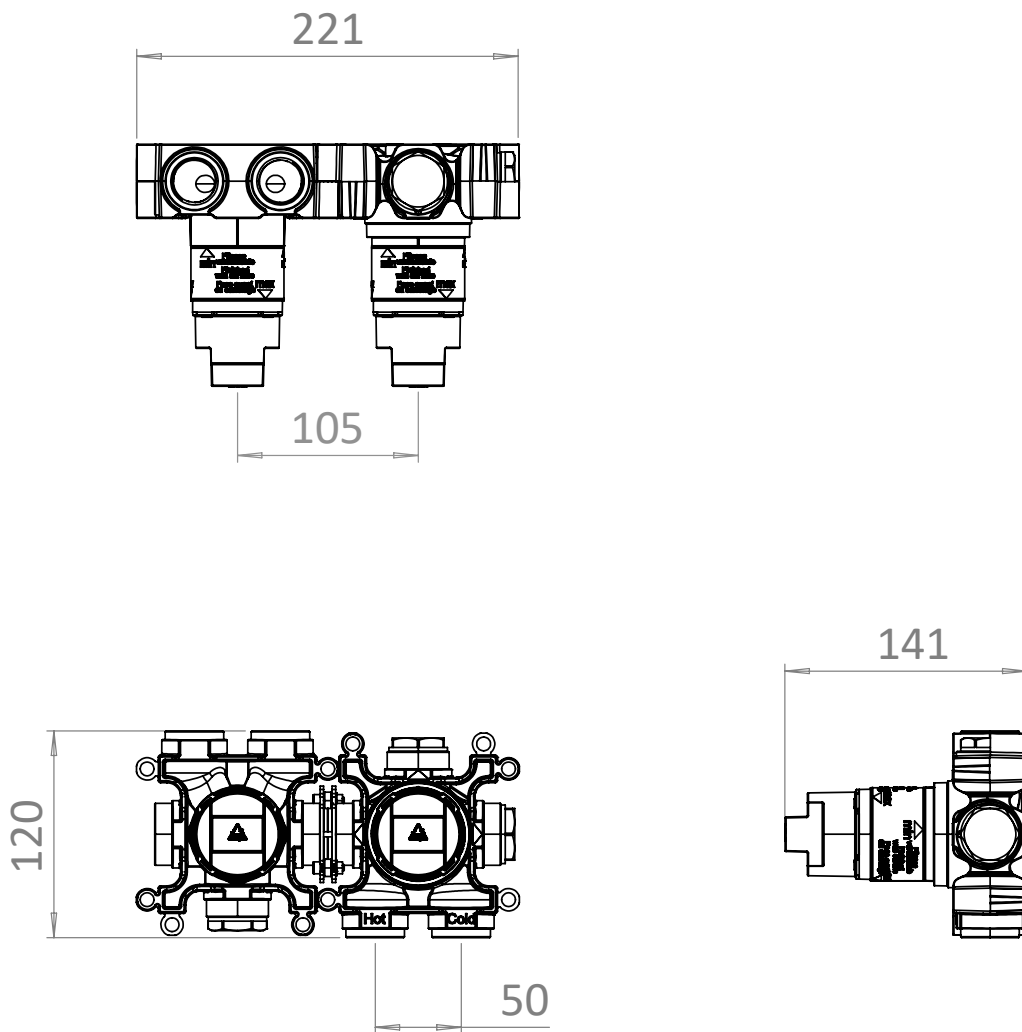
### PROMOD1701TRIMx - 3 OUTLET

PRESSURE (BAR)	FLOWRATE		
	EXIT 1	EXIT 2 HAND SHOWER	EXIT 3
MID	0.5	10	9.7
	1	13.7	13.4
	2	19.5	19
HIGH	3	23.8	23.3
	4	27.5	26.8
	5	30.5	29.8

## TECHNICAL DIMENSIONS

Dimensions in mm unless otherwise specified.

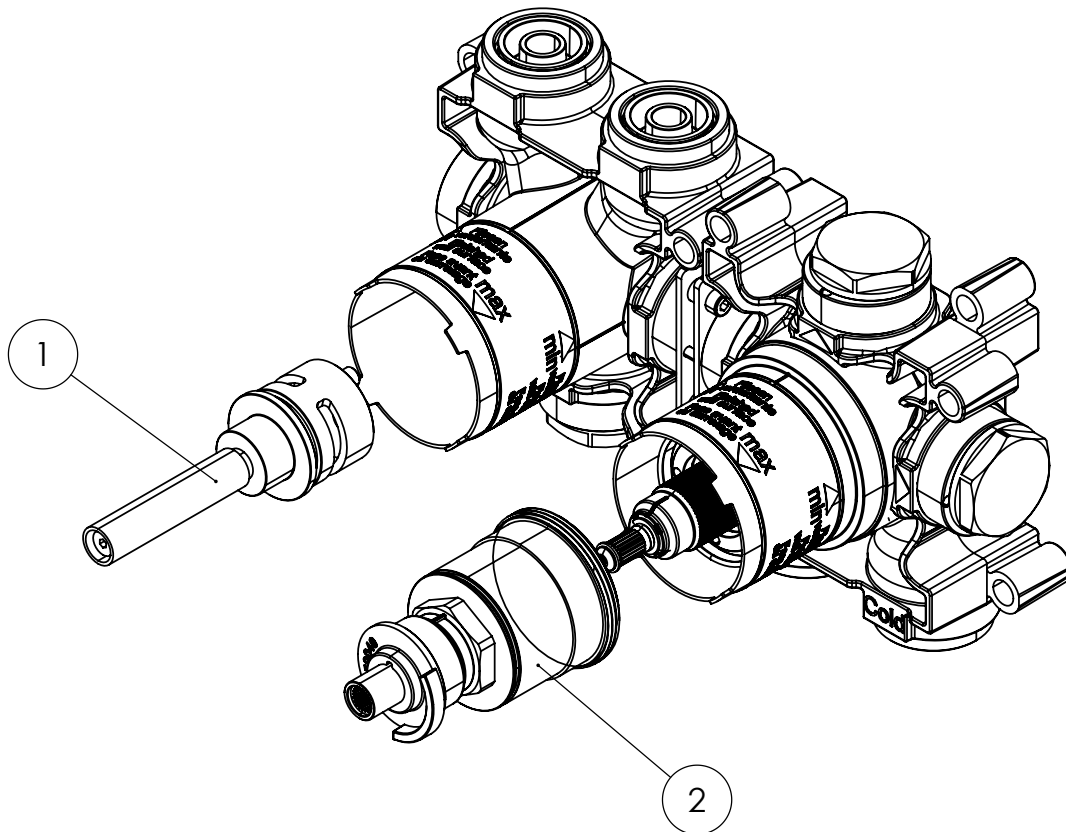
Tolerances (per material type) apply.



V10622



**SPARES DIAGRAM**



NUMBER	PART CODE	DESCRIPTION
1	E250005.000HESC	Module 2 Way Diverter Cartridge
2	E250031.000HESC	Module Thermo Cartridge

Only the parts labelled are available as spares.

V10822