

PRODUCT DATA SHEET



PRODUCT CODE

TS689SF

RANGE

3ONE6

DESCRIPTION

3ONE6 Ceiling Shower Arm 200mm
Stainless Brushed Brass Effect

WEBSITE LINK [Click Here](#)

| | |
|-----------------------|----------------------|
| CATEGORY | Brassware |
| WARRANTY DETAILS | 15 Years |
| COLOUR | Brushed Brass Effect |
| FINISH APPLICATION | PVD |
| PRIMARY MATERIAL | 316 Stainless Steel |
| INSTALL TYPE | Ceiling Mounted |
| PRODUCT WIDTH MM | 60 |
| PRODUCT HEIGHT MM | 60 |
| PRODUCT LENGTH MM | 224 |
| PRODUCT NET WEIGHT KG | 0.34 |

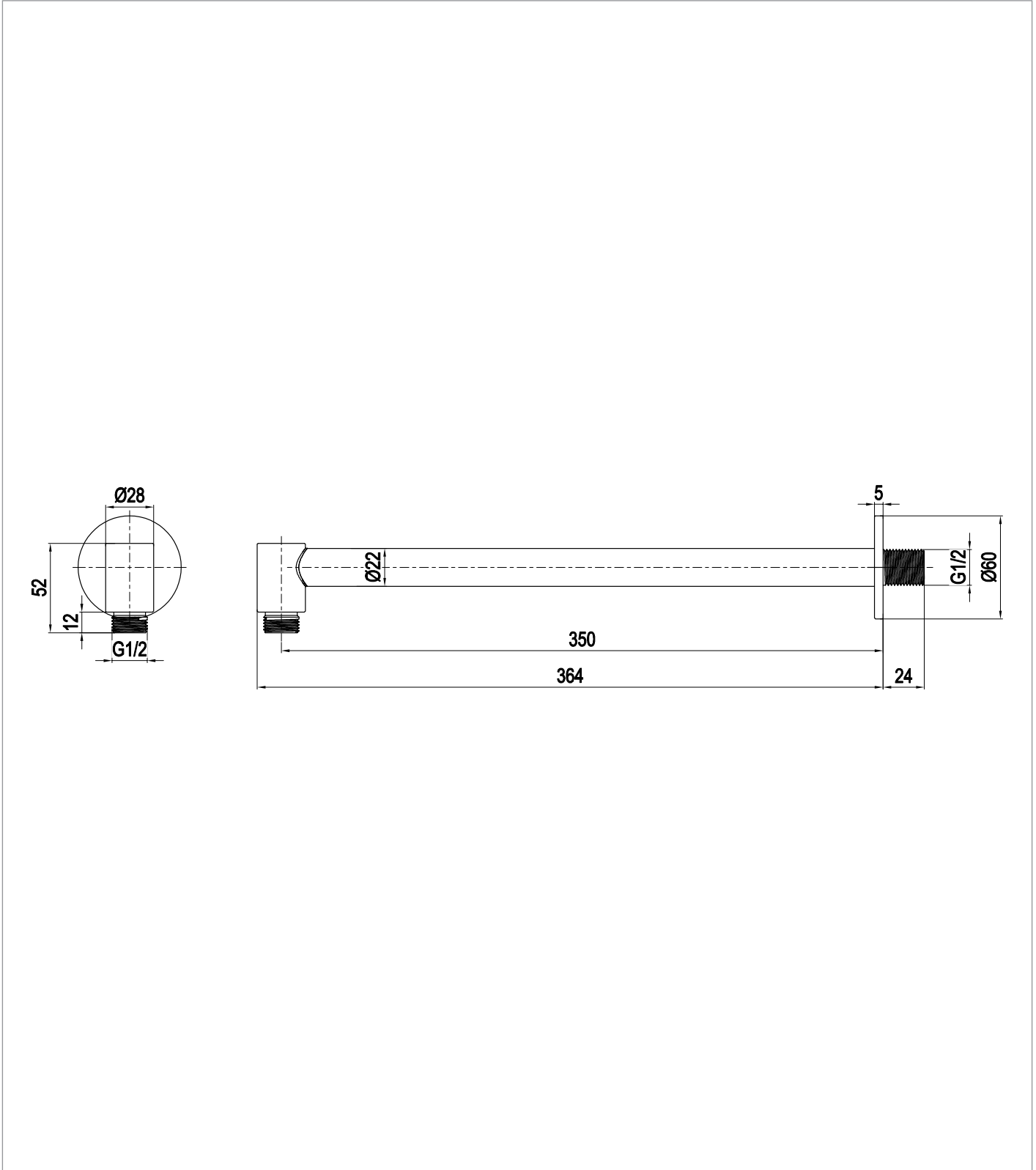
| | |
|------------------------------------|-------|
| SPOUT PROJECTION | 200 |
| INLET CONNECTIONS THREAD | G1/2" |
| WASTE INCLUDED | No |
| ANTI-SCALD | No |
| ENERGY SAVING | No |
| SHOWER HOSE & HANDSET ARE INCLUDED | No |

| | | | | | | | |
|---------------------|-----|-----|---|---|---|---|---|
| PRESSURE (BAR) | 0.2 | 0.5 | 1 | 2 | 3 | 4 | 5 |
| PRIMARY FLOWRATE | | | | | | | |
| HANDSET FLOWRATE | | | | | | | |
| MASSAGE FLOW RATE | | | | | | | |
| AIR FLOW RATE | | | | | | | |
| WIRE FLOW RATE | | | | | | | |
| WATERFALL FLOW RATE | | | | | | | |
| MIST FLOW RATE | | | | | | | |
| HANDSPRAY FLOW RATE | | | | | | | |

TECHNICAL DIMENSIONS

Dimensions in mm unless otherwise specified.

Tolerances (per material type) apply.



SPARES LIST

Only the parts labelled are available as spares.

| |
|--|
| |
|--|