

PRODUCT DATA SHEET



PRODUCT CODE

FOMOD1601LBPM

RANGE

Module

DESCRIPTION

Module Foile 2 Handle With Bath Spout
Matt Black

WEBSITE LINK [Click Here](#)

CATEGORY	Brassware
WARRANTY DETAILS	15 Years
COLOUR	Matt Black
FINISH APPLICATION	Epoxy Coated
PRIMARY MATERIAL	Brass
INSTALL TYPE	Wall Mounted
PRODUCT WIDTH MM	240
PRODUCT HEIGHT MM	70
PRODUCT DEPTH MM	277
PRODUCT NET WEIGHT KG	1.55
STANDARDS	BS EN 200:2008

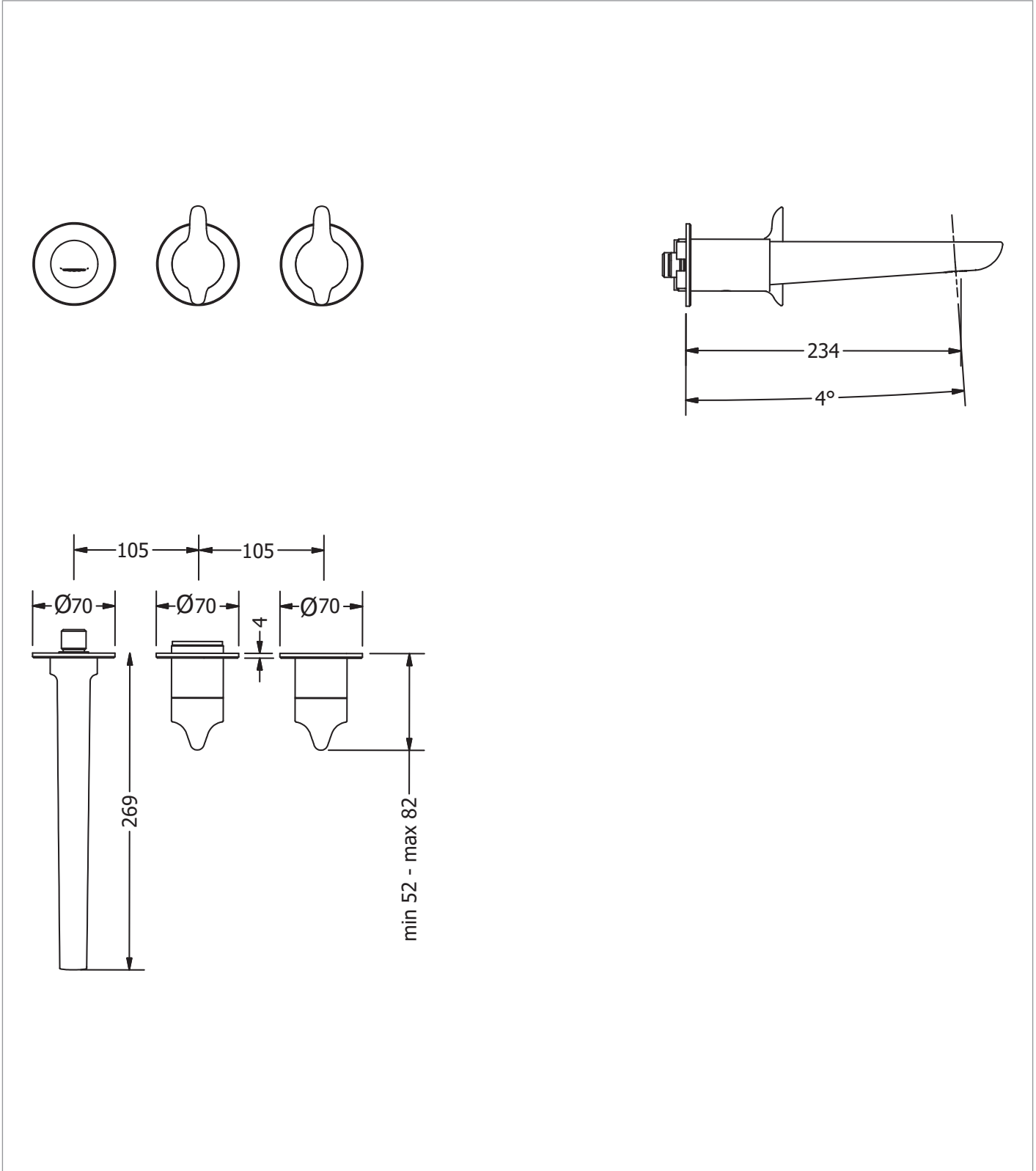
MINIMUM PRESSURE (BAR)	1
MAX WORKING PRESSURE (BAR)	5
NUMBER OF OUTLETS	1
NUMBER OF FUNCTIONS	1
SPOUT PROJECTION	230
INLET CONNECTIONS THREAD	G1/2"
FLOW REGULATOR	Cache M18.5x1
WASTE INCLUDED	No
ANTI-SCALD	No
ENERGY SAVING	No
SHOWER HOSE & HANDSET ARE INCLUDED	No

PRESSURE (BAR)	0.2	0.5	1	2	3	4	5
PRIMARY FLOWRATE			10	14	18	18	18
HANDSET FLOWRATE							
MESSAGE FLOW RATE							
AIR FLOW RATE							
WIRE FLOW RATE							
WATERFALL FLOW RATE							
MIST FLOW RATE							
HANDSPRAY FLOW RATE							

TECHNICAL DIMENSIONS

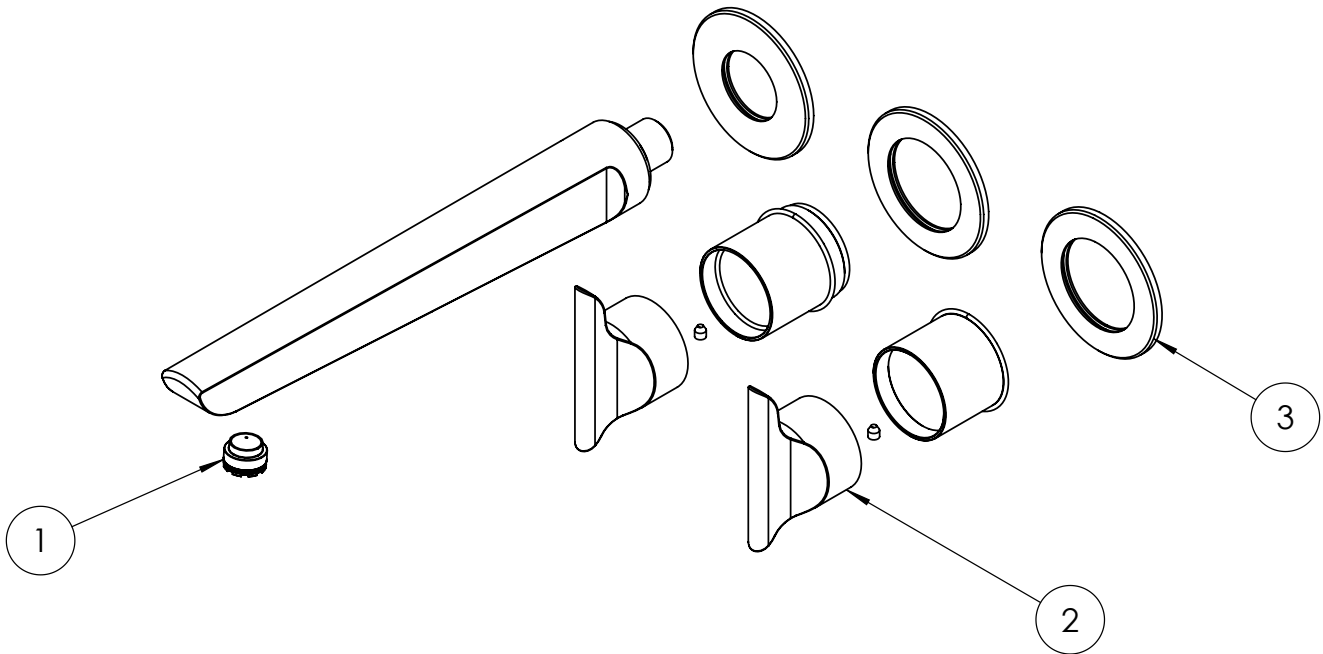
Dimensions in mm unless otherwise specified.

Tolerances (per material type) apply.



SPARES LIST

Only the parts labelled are available as spares.



NUMBER	PART CODE	DESCRIPTION
1	57FLSP004	FO0370 Aerator
2	57FLSP008C	Foile Module Handle Chrome
	57FLSP008F	Foile Module Handle Brushed Brass
	57FLSP008M	Foile Module Handle Matt Black
3	57FLSP014C	Foile Module Wall Plate Chrome
	57FLSP014F	Foile Module Wall Plate Brushed Brass
	57FLSP014M	Foile Module Wall Plate Matt Black

PRODUCT DATA SHEET



PRODUCT CODE

MOD1701R

RANGE

Module

DESCRIPTION

Module 2 Outlet Valve With Outlet For Bath Spout Or Handshower

MATERIAL	Brass
INSTALLATION TYPE	Wall Mounted
STANDARDS	EN 1111:2017
HEADWORK	Thermo Cartridge Flow Controls
INLET CONNECTIONS THREAD	G3/4"
OUTLET CONNECTIONS THREAD	G3/4"
WEIGHT	4kg
WARRANTY	15 Years (5 Years Cartridge)

MIN. PRESSURE 1 Bar

MAX. PRESSURE 5 Bar

PROMOD1601TRIMx - 2 OUTLET

PRESSURE (BAR)	FLOWRATE			
	EXIT 1	EXIT 2	EXIT 1+2	
MID	0.5	9.2	4.2	9.3
	1	13	6	13.4
	2	18.7	8.5	19
HIGH	3	23	10.7	23.5
	4	26.5	12.3	27
	5	29.5	13.8	30.3

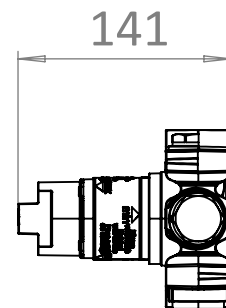
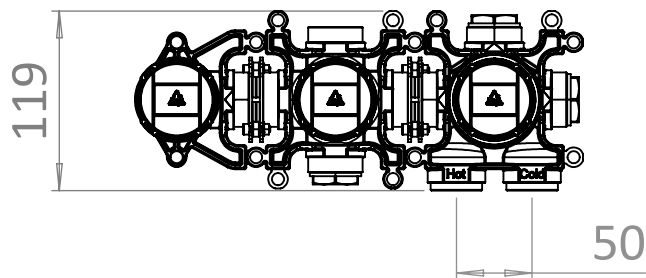
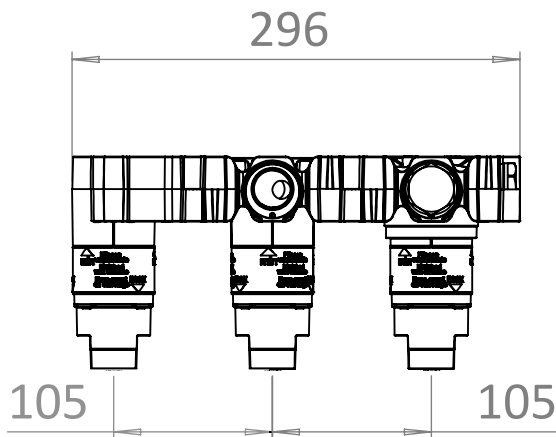
PROMOD1701TRIMx - 2 OUTLET

PRESSURE (BAR)	FLOWRATE			
	EXIT 1	EXIT 2	EXIT 3	
MID	0.5	10	4.1	9.7
	1	13.7	6	13.4
	2	19.5	8.5	19
HIGH	3	23.8	10.6	23.3
	4	27.5	12.3	26.8
	5	30.5	13.8	29.8

TECHNICAL DIMENSIONS

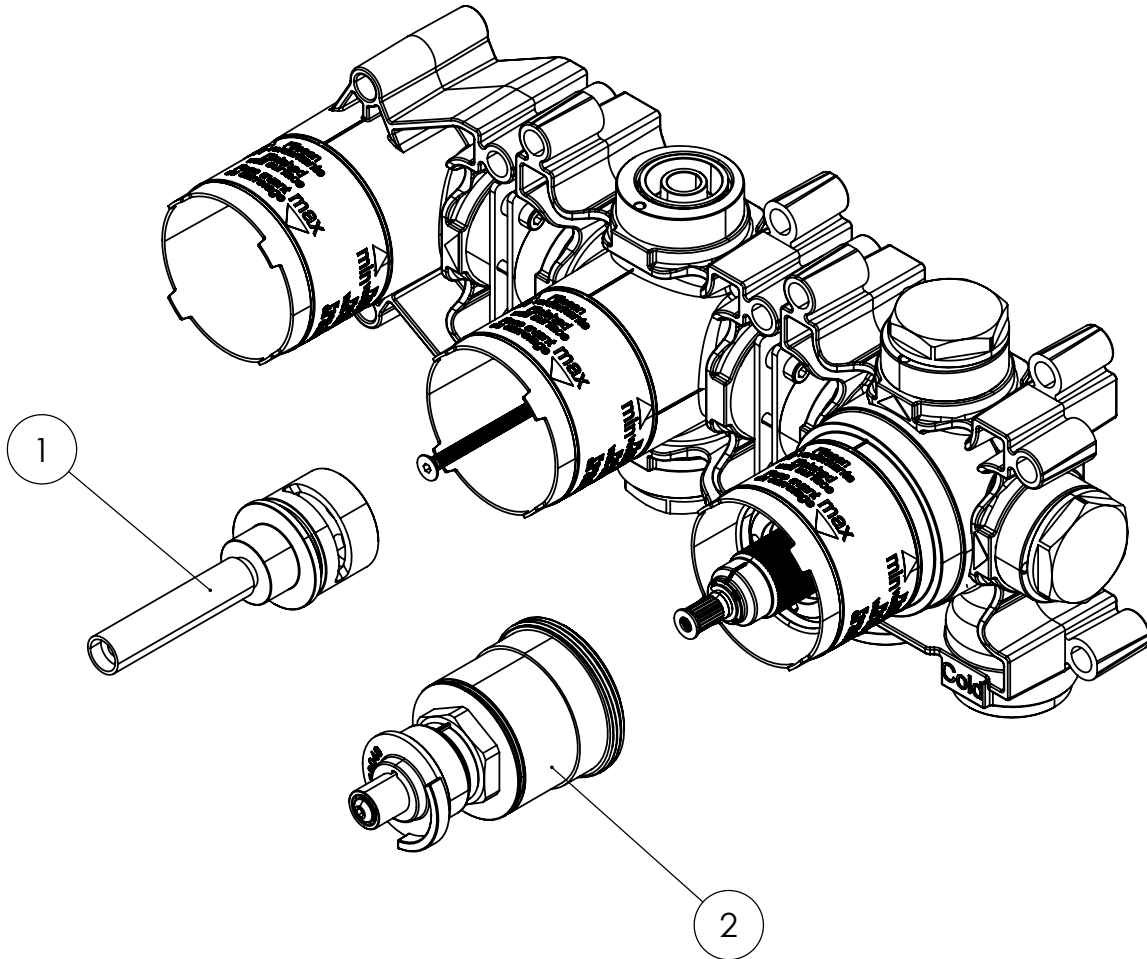
Dimensions in mm unless otherwise specified.

Tolerances (per material type) apply.



V10622

SPARES DIAGRAM



NUMBER	PART CODE	DESCRIPTION
1	E250005.000HESC	Module 2 Way Diverter Cartridge
2	E250031.000HESC	Module Thermo Cartridge

Only the parts labelled are available as spares.

V10822

PRODUCT DATA SHEET



PRODUCT CODE

MOD3701R

RANGE

Module

DESCRIPTION

Module 3 Outlet Valve Bath Spout Or Handshower And 2 Other Outlets

MATERIAL	Brass
INSTALLATION TYPE	Wall Mounted
STANDARDS	EN 1111:2017
HEADWORK	Thermo Cartridge Flow Controls
INLET CONNECTIONS THREAD	G3/4"
OUTLET CONNECTIONS THREAD	G3/4"
WEIGHT	4kg
WARRANTY	15 Years (5 Years Cartridge)

MIN. PRESSURE 1 Bar

MAX. PRESSURE 5 Bar

PROMOD1601TRIMx - 3 OUTLET

PRESSURE (BAR)	FLOWRATE		
	EXIT 1	EXIT 2 BATH SPOUT	EXIT 3
MID	0.5	10	9.7
	1	13.7	13.4
	2	19.5	19
HIGH	3	23.8	23.3
	4	27.5	26.8
	5	30.5	29.8

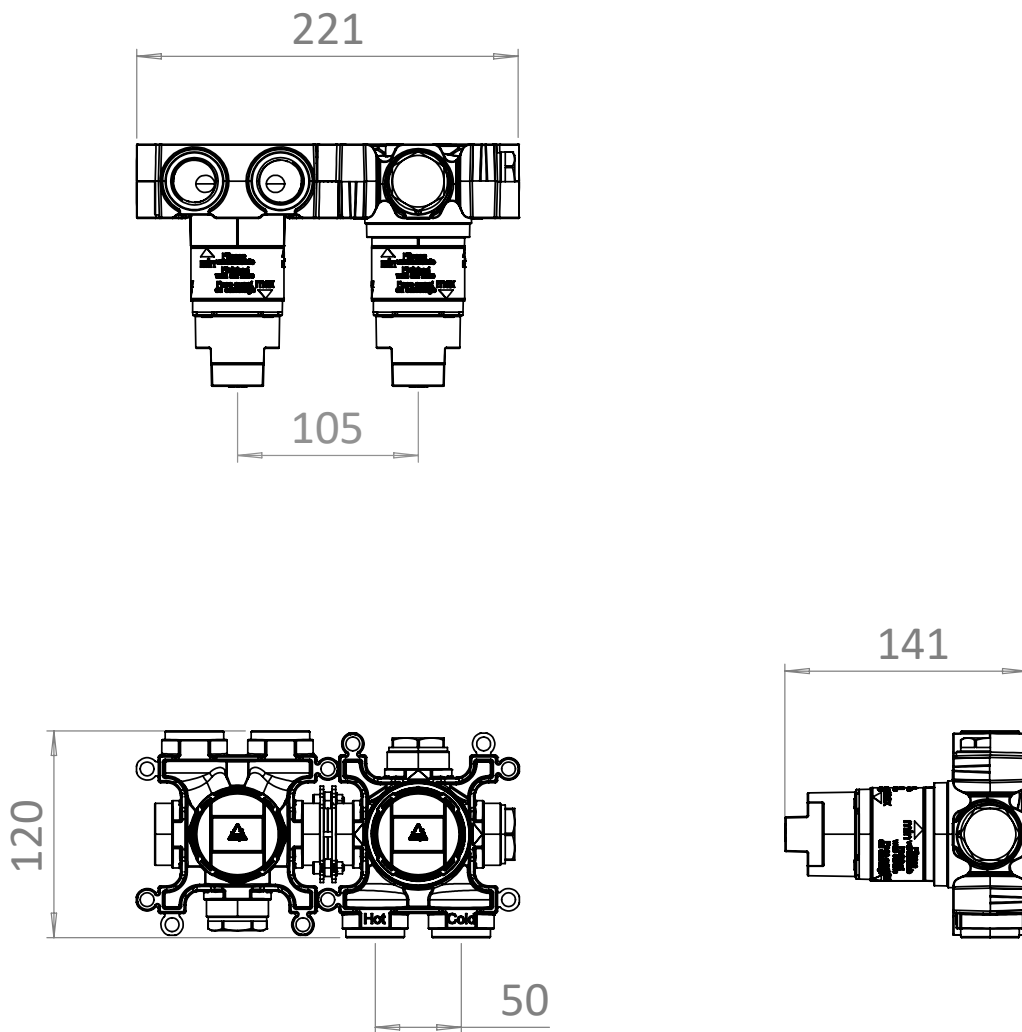
PROMOD1701TRIMx - 3 OUTLET

PRESSURE (BAR)	FLOWRATE		
	EXIT 1	EXIT 2 HAND SHOWER	EXIT 3
MID	0.5	10	9.7
	1	13.7	13.4
	2	19.5	19
HIGH	3	23.8	23.3
	4	27.5	26.8
	5	30.5	29.8

TECHNICAL DIMENSIONS

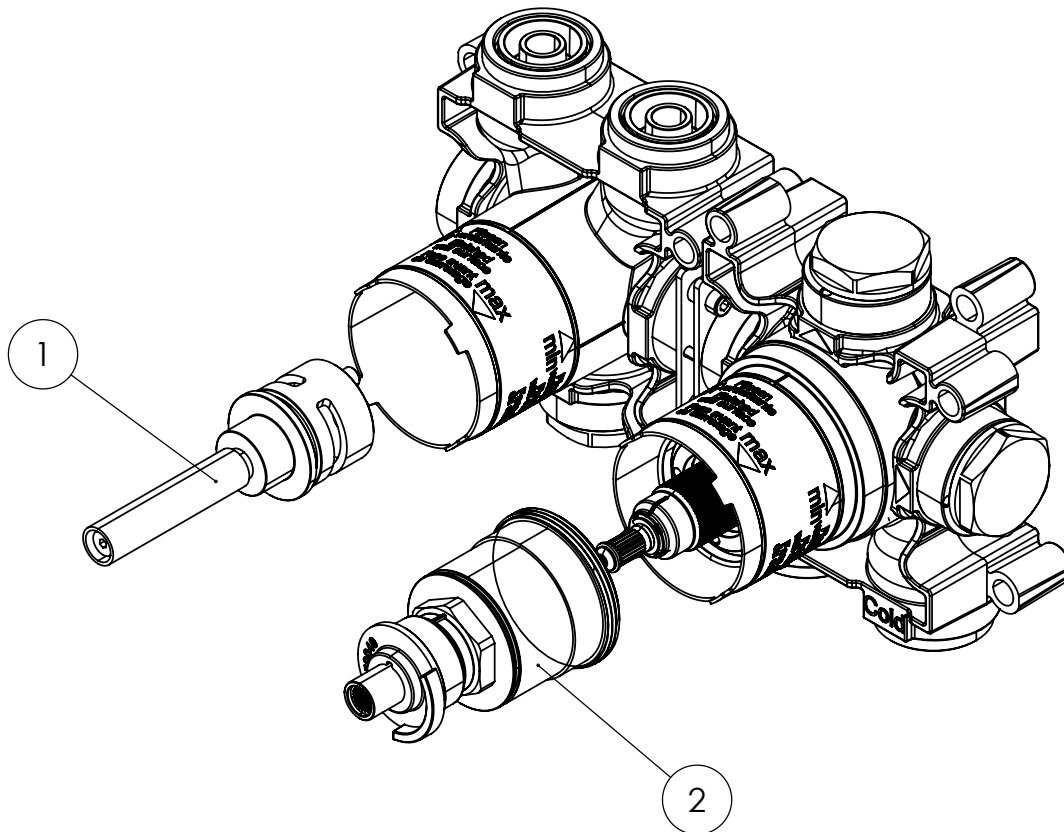
Dimensions in mm unless otherwise specified.

Tolerances (per material type) apply.



V10622

SPARES DIAGRAM



NUMBER	PART CODE	DESCRIPTION
1	E250005.000HESC	Module 2 Way Diverter Cartridge
2	E250031.000HESC	Module Thermo Cartridge

Only the parts labelled are available as spares.

V10822