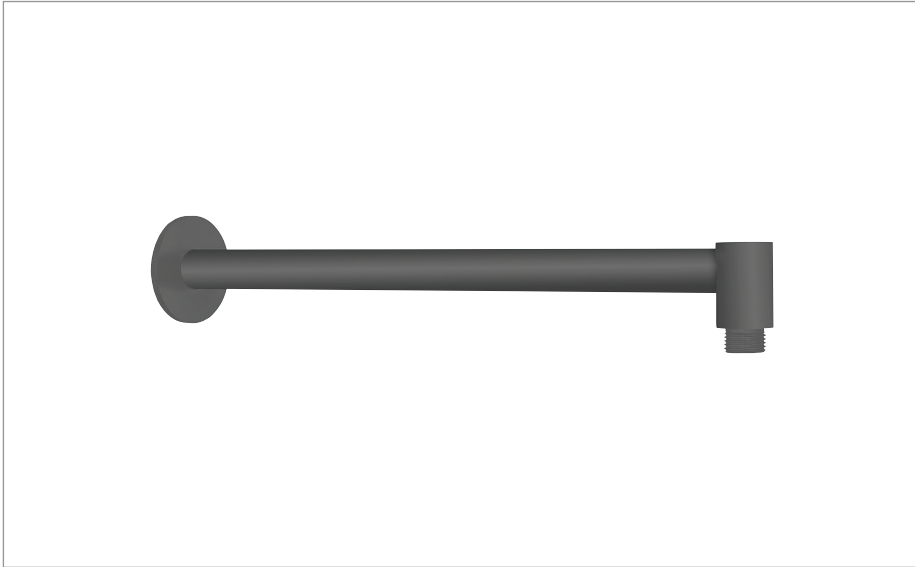


PRODUCT DATA SHEET



PRODUCT CODE

TS684ST

RANGE

3ONE6

DESCRIPTION

3ONE6 Shower Arm 350mm Stainless Slate

WEBSITE LINK [Click Here](#)

CATEGORY	Brassware
WARRANTY DETAILS	15 Years
COLOUR	Slate
FINISH APPLICATION	PVD
PRIMARY MATERIAL	316 Stainless Steel
INSTALL TYPE	Wall Mounted
PRODUCT WIDTH MM	364
PRODUCT HEIGHT MM	60
PRODUCT LENGTH MM	384
PRODUCT NET WEIGHT KG	0.62

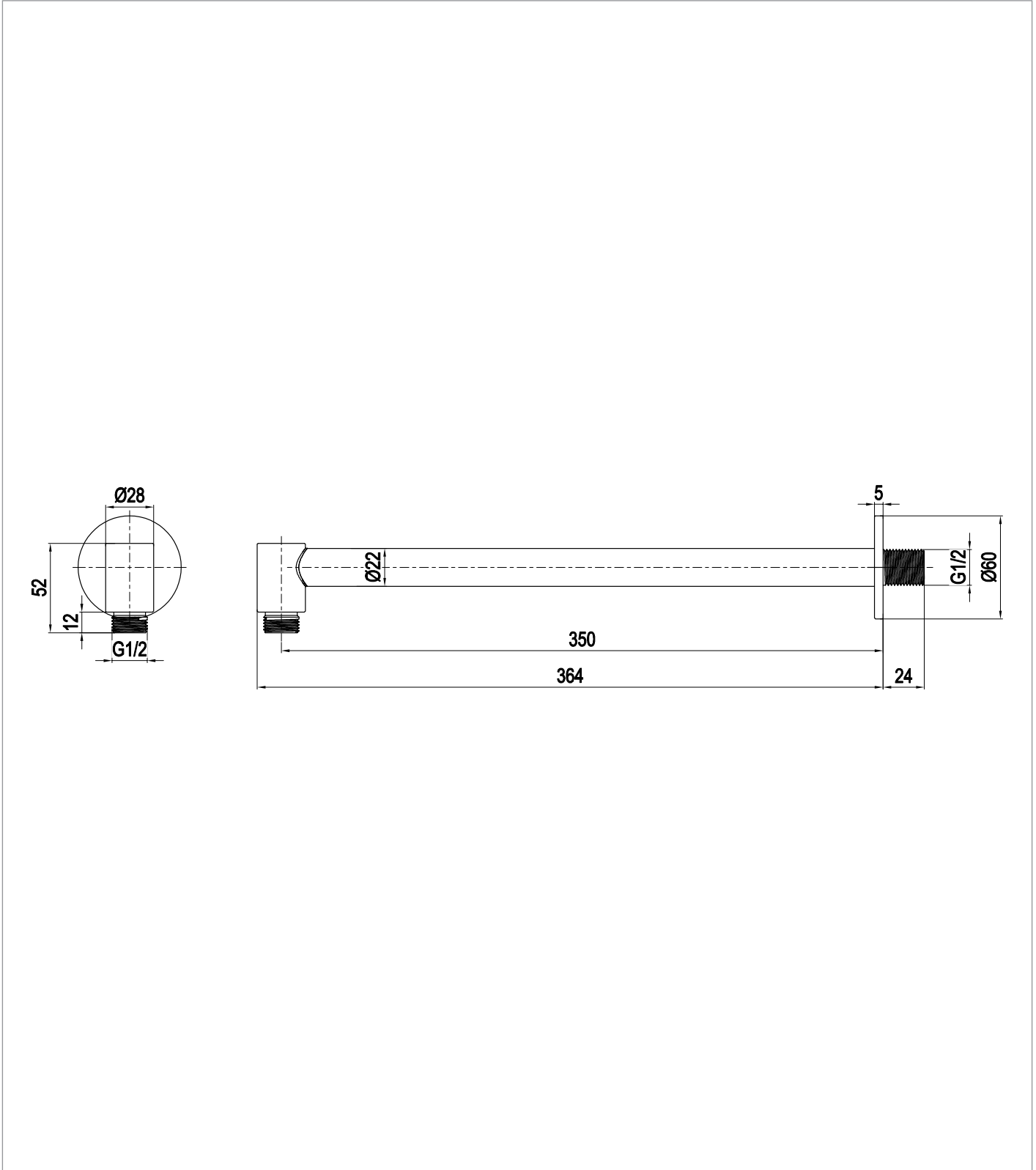
SPOUT PROJECTION	350
INLET CONNECTIONS THREAD	G1/2"
WASTE INCLUDED	No
ANTI-SCALD	No
ENERGY SAVING	No
SHOWER HOSE & HANDSET ARE INCLUDED	No

PRESSURE (BAR)	0.2	0.5	1	2	3	4	5
PRIMARY FLOWRATE							
HANDSET FLOWRATE							
MESSAGE FLOW RATE							
AIR FLOW RATE							
WIRE FLOW RATE							
WATERFALL FLOW RATE							
MIST FLOW RATE							
HANDSPRAY FLOW RATE							

TECHNICAL DIMENSIONS

Dimensions in mm unless otherwise specified.

Tolerances (per material type) apply.



SPARES LIST

Only the parts labelled are available as spares.

--