

WASHBASINS ARCHITECTURA

PRODUCT INFORMATION

1 . POSITION



Article number	5A276001
Article title	Villeroy & Boch Architectura Surface-mounted washbasin, 600 x 405 x 155 mm, White Alpin, with overflow
Product designation	Surface-mounted washbasin
Collection	Architectura
PROJECTS	 PLUS
Assembly / Assembly type	Surface-mounted
Scope of delivery	1 x surface-mounted washbasin , 1 x fastening set with cut-out template
Ordering information	Optionally available: Outlet valve with ceramic cover.
Length in mm	405
Width in mm	600
Height in mm	155
Interior depth	108
Weight in kg	16,50
express delivery	No
Suitable for	Wall-mounted tap fittings, Tap fitting with raised base Matching Villeroy&Boch furniture
Material	Sanitary ceramics
Surface	glossy
Colour name	White Alpin
With overflow	Yes
EAN number	4062373807255

COLOUR

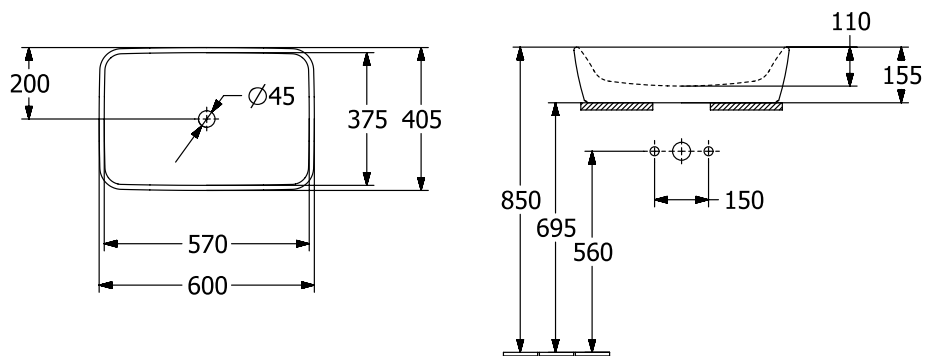
COLOUR DESIGNATION



White Alpin

TECHNICAL DRAWINGS

5A276001





OPTIMAL CARE

FOR YOUR BATHROOM

*Information and tips on how to care
for Villeroy & Boch products*



TREAT QUALITY WITH CARE

A clean and well-maintained bathroom is a pleasure to behold. To keep everything looking like new for as long as possible, appropriate care is required.

You can find lots of information here to help you look after different surfaces, furniture, taps and fittings. As well as a few tips from our employees' extensive practical experience and our latest research findings.

We wish you many years of pleasure with your Villeroy&Boch products.

CERAMIC		WELLNESS		FURNITURE, TAPS&FITTINGS	
General ceramics	4-5	Acrylic	14-15	Wooden bathroom furniture	18-21
CeramicPlus	6-9	Quaryl®	16-17	Taps&fittings	22-23
TitanCeram	10-11				
AntiBac	12-13				

CERAMIC

The modern classic

Villeroy&Boch ceramics stand for high-quality, easy-to-clean products with excellent hygiene properties. The specially developed glaze is an important feature, ensuring a highly resistant surface, perfect impermeability and maximum temperature resistance.

BENEFITS OF VILLEROY&BOCH CERAMICS

Ceramics impress with outstanding hygiene properties combined with high temperature stability and excellent stain resistance. Ceramics are also resistant to both impact and scratches and have a non-slip effect. These easy to maintain surfaces are available in a variety of modern colours and décors.

CLEANING AND CARE

Villeroy&Boch ceramic sanitaryware has a smooth, dense and virtually scratch-proof surface that is resistant to all common household acids and alkalis. Clean water and a damp cloth are often all you need for everyday care. Water marks, residual grease or soap can be removed easily using a bathroom cleaner. This also allows quick and easy removal of limescale deposits.

Another option is a gentle limescale remover from a specialist retailer, which can be used according to the manufacturer's recommendations.

Particular caution is required with substances containing high amounts of fluorine, for example, rust removers or toothpastes. If they are not removed, they can lead to the formation of stains. Remove any residue immediately! For heavier contamination, we recommend a non-abrasive liquid or cream bathroom cleaner. For even more effective results, apply the product using a soft, non-scratch sponge.

IMPORTANT INFORMATION

Please read the manufacturer's recommendations for use carefully. If in doubt, test the cleaning or care product on a concealed area first.

It is very important to avoid very aggressive cleaning products that could damage the ceramic surfaces, for example:

- Scouring creams or powders
- Concentrated drain cleaners
- Tap and steel cleaners
- Powder toilet cleaners

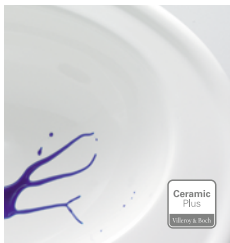
We recommend that you do not use these products at all or, in the case of drain cleaners, tap cleaners or steel cleaners, avoid direct contact with ceramic surfaces.

CERAMICPLUS

Less cleaning – more time to enjoy life



Flow properties of liquids on a conventional ceramic surface.



Liquids flow off CeramicPlus faster: the ceramics stay cleaner.



Dirt and limescale adhere more easily to conventional ceramics.



CeramicPlus makes it very difficult for dirt to adhere. Easy cleaning, even with dried-on limescale.

THE HYGIENIC SURFACE FINISH

Your new ceramic product looks sensational – and it is equally easy to care for. As well as choosing outstanding design and premium quality, you have also purchased a very low maintenance product: CeramicPlus is an innovative development from the Villeroy&Boch research laboratory, inspired by the latest findings from material science research.

BENEFITS OF VILLEROY&BOCH CERAMICPLUS

Villeroy&Boch has managed to improve the properties of ceramics, using a special process to give CeramicPlus ceramic a lasting finish. Water forms droplets on contact with CeramicPlus, which then roll faster and more easily down the drain, carrying with them particles of limescale and dirt.

CeramicPlus is durable, scratch-proof and insensitive to acids and alkalis. CeramicPlus products impress with their excellent hygiene properties and wide variety of colours.

MORE EFFICIENT CLEANING THANKS TO CERAMICPLUS

- 80% less cleaning time*
- 90% less cleaning agent*
- 90% less water consumption**

* for the removal of limescale in comparison to standard Villeroy&Boch ceramics, wfk - Institut für Angewandte Forschung GmbH (wfk - Institut for Applied Research), WL 7478/15 dated 30 April 2015

** for the removal of slurry in comparison to standard Villeroy&Boch ceramics, wfk - Institut für Angewandte Forschung GmbH (wfk - Institut for Applied Research), WL 7478/15 dated 30 April 2015

CERAMICPLUS

CLEANING AND CARE

CeramicPlus is considerably easier to clean than conventional ceramics.

For everyday care of your ceramics, we recommend a soft, non-scratch sponge or cloth and clean water.

If you wish to use a cleaning product, choose a standard all-purpose cleaner. Do not use aggressive, abrasive or environmentally harmful products.

Even stubborn dirt or dried-on limescale are no cause for concern. Benefit: CeramicPlus' easy-care properties help you to ensure optimal hygiene and fresh, clean surfaces in an environmentally-friendly way without the need for aggressive detergents. A real advantage in the bathroom! Tested and confirmed by the wfk Forschungsinstitut für Reinigungstechnologie. To treat heavier soiling, we generally recommend a mild bathroom cleaner or mild all-purpose cleaner.

In the case of very stubborn dirt, simply leave the bathroom cleaner or limescale remover to act overnight. Gel or foam cleaners are ideal, as they also adhere well to sloping surfaces. Or: simply place a cloth soaked in cleaning agent over the stain.

IMPORTANT INFORMATION

CeramicPlus is resistant to all common household acids and alkalis (including cosmetic products and medicines containing solvents, alcohol or acetone).

Like all ceramic surfaces, CeramicPlus will be damaged by repeated use of: scouring creams or powders, concentrated drain cleaners, tap and steel cleaners or bleach products containing chlorine.

TIP: Dampen microfibre cloths slightly before use and rinse them out regularly.



TITANCERAM

Ceramics from master craftsmen



TitanCeram is an innovative Villeroy&Boch material that incorporates all the experience we have gained in more than 265 years of ceramic manufacture. For the first time, the pioneering TitanCeram material permits the creation of products with uniquely precise designs, extremely thin walls and sharply defined edges.

BENEFITS OF VILLEROY&BOCH TITANCERAM

TitanCeram is easy to clean and particularly resistant to knocks, impact and scratches, heat and cold.

CLEANING AND CARE

TitanCeram can be cleaned with very little time and effort, just like normal ceramics. Clean water and a damp cloth are all you need for everyday care.



with **AntiBac**

without **AntiBac**

ANTIBAC

Lasting protection against bacteria



This innovative surface technology provides a significant improvement in hygiene properties. AntiBac reduces bacterial growth by more than 99.9%, offering long-lasting protection and a significant reduction in the use of chemical cleaning products. Very practical: the antibacterial effect is integrated directly in the glaze of the bathroom ceramics and toilet seats.

BENEFITS OF VILLEROY&BOCH ANTIBAC

AntiBac provides optimal and lasting protection as the silver ions integrated in the glaze maintain the antibacterial effect throughout the product's entire lifetime. Effective inhibition of bacterial growth by over 99.9% has been confirmed by the respected independent BOKEN Quality Evaluation Institute, the BAM (Bundesanstalt für Materialprüfung) and the IZORE (Centrum Infectieziekten Friesland, NL). AntiBac has been dermatologically tested and is harmless for the environment and health.

CLEANING AND CARE

AntiBac can be cared for in the same way as normal ceramics. Clean water and a damp cloth are all you need for everyday care.



ACRYLIC

45 years of expertise

Villeroy & Boch has been producing high-quality acrylic products since 1969, underpinned by more than 265 years of innovative strength and design expertise combined with stringent quality standards and a diverse selection. Acrylic stands for optimal comfort and a wide variety of designs.

BENEFITS OF VILLEROY&BOCH ACRYLIC

Villeroy & Boch's high-quality sanitary acrylic is colour-fast and offers impressively durable quality. Acrylic has an insulating effect, its smooth surfaces are easy to clean and they retain their shine for a long time. VILBOgrip gives the surfaces a very non-slip effect.

CLEANING AND CARE

Acrylic surfaces are very easy to clean thanks to their smooth, non-porous finish. All that is needed to maintain their shine is regular care using standard domestic non-scratch liquid cleaning products.

Vinegar or standard limescale cleaners can be used to remove limescale marks easily.



QUARYL®

Nature perfected



Available exclusively from Villeroy&Boch, Quaryl® combines the best properties of quartz with the variability of acrylic resin. It lends itself to new shapes, radii and edges to meet the most demanding design requirements and its smooth non-porous, surface is particularly hygienic, pleasant to the touch and easy to care for.

BENEFITS OF VILLEROY&BOCH QUARYL®

Villeroy & Boch's Quaryl® allows impressively precise radii and edges, and is very stable and rigid. This solid-colour material is resistant to knocks, impact, scratches and UV. The smooth, non-porous, solid surfaces make it very difficult for dirt to adhere. They are easy to clean and retain their shine even after many years of use. Its good thermal insulation makes Quaryl® feel pleasantly warm to the touch. It also offers unparalleled non-slip properties (tested by the TÜV-LGA) and the solid material's sound-absorbing effect provides enhanced comfort.

CLEANING AND CARE

Quaryl® surfaces are very easy to clean thanks to their smooth, non-porous finish. All that is needed to maintain their shine is regular care using standard domestic non-scratch liquid cleaning products.

Vinegar or standard limescale cleaners can be used to remove limescale marks easily.



BATHROOM FURNITURE

Beauty and practicality combined

The surfaces of Villeroy&Boch bathroom furniture consist of materials such as sealed, varnished wood, hard-wearing laminates or direct coatings, films, paint or veneers. Real wood and real wood veneers are natural products, Variations in colour, structure, grain or small knots and inclusions are not quality flaws, rather evidence of the material's natural composition.

CLEANING AND CARE

- Wipe **bathroom furniture** using a soft clean cloth, dampened with lukewarm water and a gentle household cleaner (e.g. diluted washing-up liquid), applying only very gentle pressure.
- Use a chamois dampened with lukewarm water to wipe **mirrored surfaces**. Wipe the edges of mirrors dry.
- Wipe **leather and synthetic leather** using a microfibre cloth dampened with lukewarm water.
- Wipe **metal surfaces** using a soft cloth dampened with lukewarm water and a gentle household cleaner (e.g. diluted washing-up liquid).
- Use a microfibre cloth and a non-abrasive stainless steel cleaner to clean **stainless steel components**. Spray the cleaner onto the cloth and then wipe the components.
- **Natural stone tiles** have been impregnated and can be cleaned in the same way as furniture. Please refer to the separate instructions including information for marble tiles, too.

BATHROOM FURNITURE

- **Artificial stone tiles** can be buffed up using polish (e.g. car polish).
- Clean **flocking** using a soft brush and household cleaner.
- **Acrylic surfaces** can be buffed up using alcohol-free polishes (e.g. car polish). However, solvents should not contain methylbenzene or acetone or be based on a window cleaning product.
- Always switch **electrical items** off before cleaning them with a dry cloth.

IMPORTANT INFORMATION

- Furniture surfaces should not remain covered by pools of water or exposed to moisture for prolonged periods. Wipe the surfaces using a dry cloth.
- All surfaces have limited UV resistance. Constant exposure to UV radiation may result in discolouration.
- Avoid contact with abrasive, pointed or sharp objects.
- Remove chemicals such as hair dyes, descaling agents, nail polish remover, perfumes, etc. from furniture surfaces immediately.
- * Do not use any abrasive or acidic cleaners or cleaning products containing solvents or oils! Always wipe dry!
- If you are using a cleaning product, check the label to make sure it is suitable for the material you intend to clean. Test the product on an inconspicuous area before using it for the first time.

- After each use, we recommend that you rinse off any soap marks and dry the surface carefully using a soft, clean cloth. This will help to preserve the surface of your Villeroy&Boch product and prevent water marks.
- Any areas of damage on painted, powdered or veneered surfaces or furniture parts covered with laminate must be sealed as quickly as possible to prevent any further damage.

WARNING! Efficient ventilation and extraction in the bathroom are essential to maintain your furniture's quality and appearance.

TAPS & FITTINGS

Enhanced aesthetics

Elegantly flowing, classically simple or puristic – Villeroy & Boch's stylish taps and fittings create a special atmosphere in your bathroom. And appropriate care will maintain this effect for a long time.



La Fleur



L'Aura



Just



Cult

CLEANING AND CARE

- **Regular cleaning** of taps and fittings is important to prevent any build-up of limescale.
- Make sure that the **cleaning products** you use are suitable for the application in question.
- Never leave **cleaning products** to work for longer than necessary.
- Use a soft cloth to wipe off **drops of water** after each use.
- Never spray **cleaning solution** directly onto taps or fittings. Spray it onto the cleaning cloth or sponge instead.
- Remove any **remnants of toiletries** such as shampoo, shower gel or liquid soap quickly to avoid any damage.
- A thin protective film should be applied regularly to **varnished and galvanised surfaces**. We recommend using a special preserving agent designed specifically for varnished or galvanised surfaces.

IMPORTANT INFORMATION

Do not use any products containing hydrochloric acid, formic acid or acetic acid as these can lead to damage. The same applies to chlorine-based bleach cleaning products.

Never mix cleaning products.

Do not use any abrasive products or tools (scouring cream, microfibre cloths).

Cleaning products containing phosphoric acid are recommended only to a limited extent.

VILLEROY & BOCH

GERMANY

*Villeroy & Boch AG
Bathroom and Wellness Division
Headquarters
66693 Mettlach*

*Tel. +49 (0) 68 64-81-0
Fax +49 (0) 68 64-81-1484*

