

PRODUCT DATA SHEET



PRODUCT CODE

TL130WNSF

RANGE

3ONE6 Lever

DESCRIPTION

3ONE6 Lever Basin 3 Hole Set Wall Mounted Stainless Brushed Brass Effect

WEBSITE LINK [Click Here](#)

CATEGORY	Brassware
WARRANTY DETAILS	15 Years
COLOUR	Brushed Brass Effect
FINISH APPLICATION	PVD
PRIMARY MATERIAL	316 Stainless Steel
INSTALL TYPE	Wall Mounted
PRODUCT HEIGHT MM	50
PRODUCT DEPTH MM	180
PRODUCT NET WEIGHT KG	1.85
STANDARDS	BS EN 200:2008

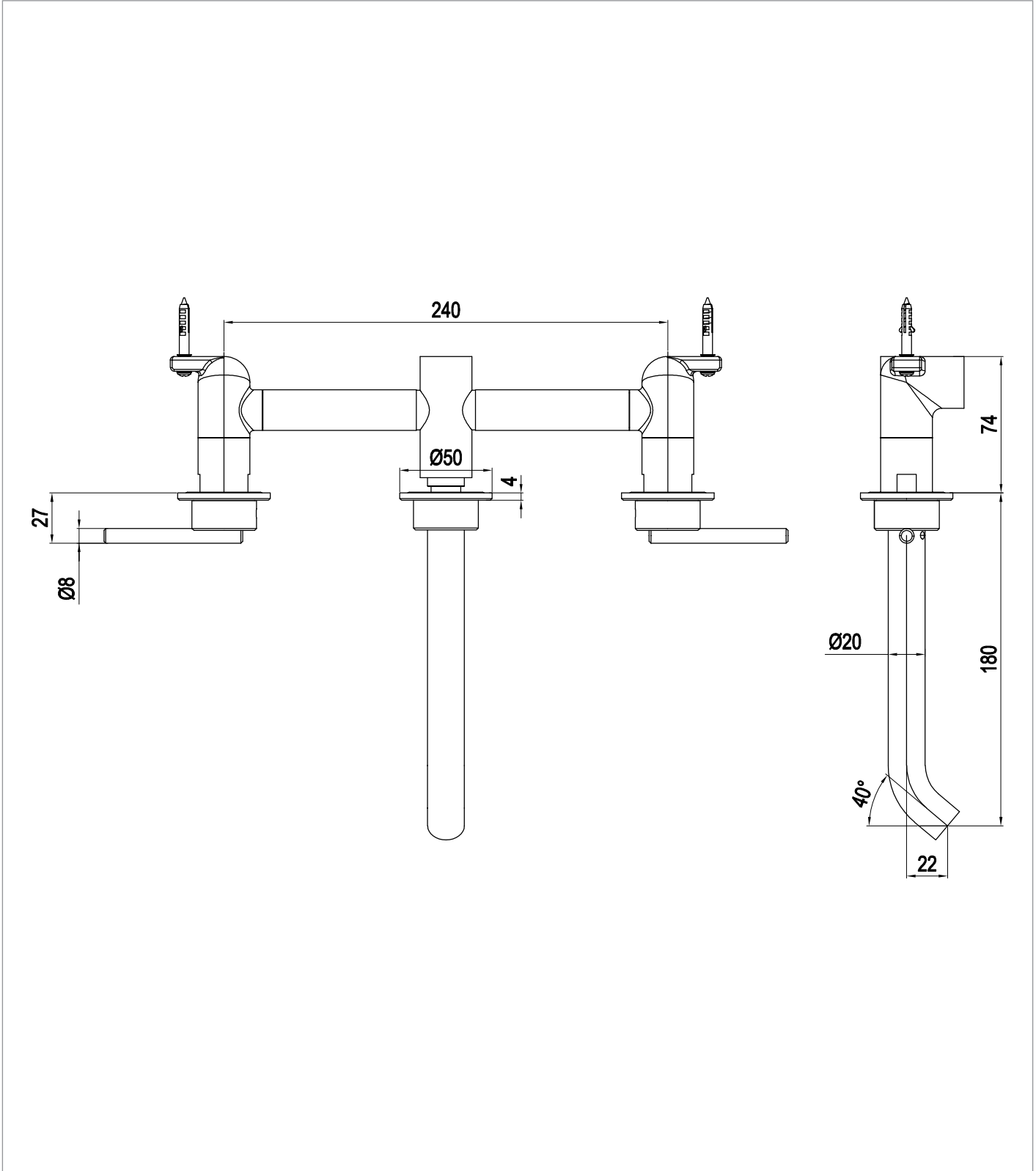
MINIMUM PRESSURE (BAR)	1
MAX WORKING PRESSURE (BAR)	5
HEADWORK	1/2" Quarter turn ceramic cartridge
SPOUT PROJECTION	180
SWIVEL SPOUT	No
INLET CONNECTIONS THREAD	G1/2"
FLOW REGULATOR	Cache M16x1
WASTE INCLUDED	No
ANTI-SCALD	No
ENERGY SAVING	No
SHOWER HOSE & HANDSET ARE INCLUDED	No

PRESSURE (BAR)	0.2	0.5	1	2	3	4	5
PRIMARY FLOWRATE			3.78	4.88	4.9	4.92	5.2
HANDSET FLOWRATE							
MASSAGE FLOW RATE							
AIR FLOW RATE							
WIRE FLOW RATE							
WATERFALL FLOW RATE							
MIST FLOW RATE							
HANDSPRAY FLOW RATE							

TECHNICAL DIMENSIONS

Dimensions in mm unless otherwise specified.

Tolerances (per material type) apply.



SPARES LIST

Only the parts labelled are available as spares.

--