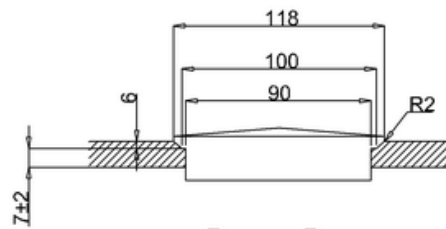


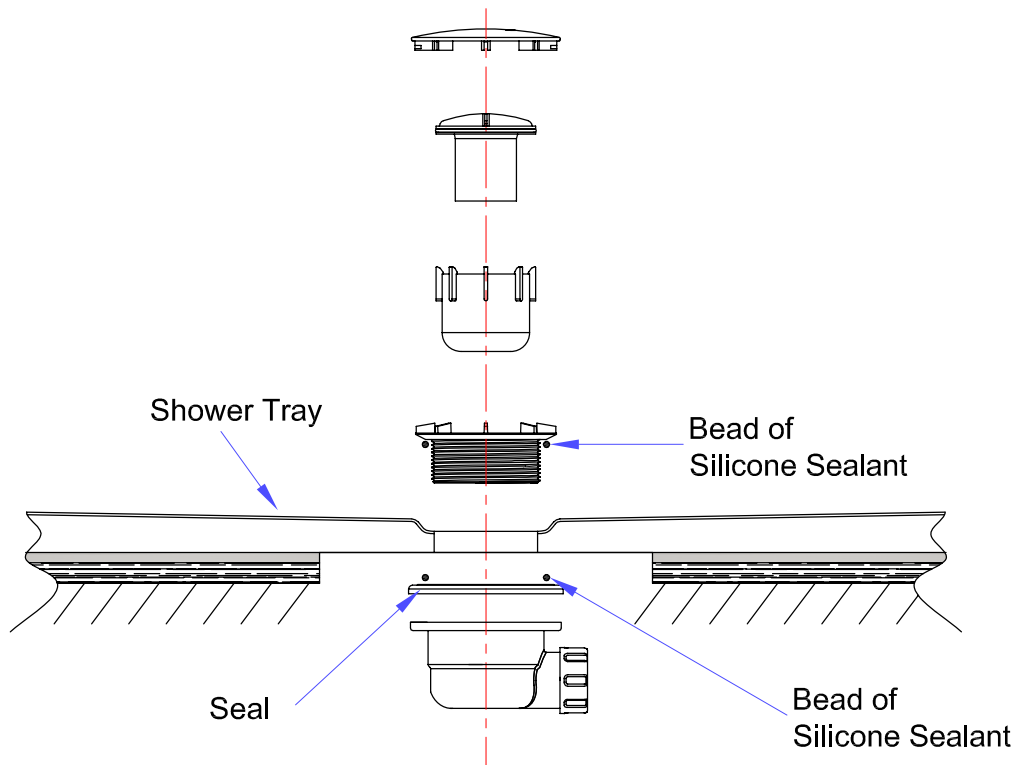
A-----A



B-----B

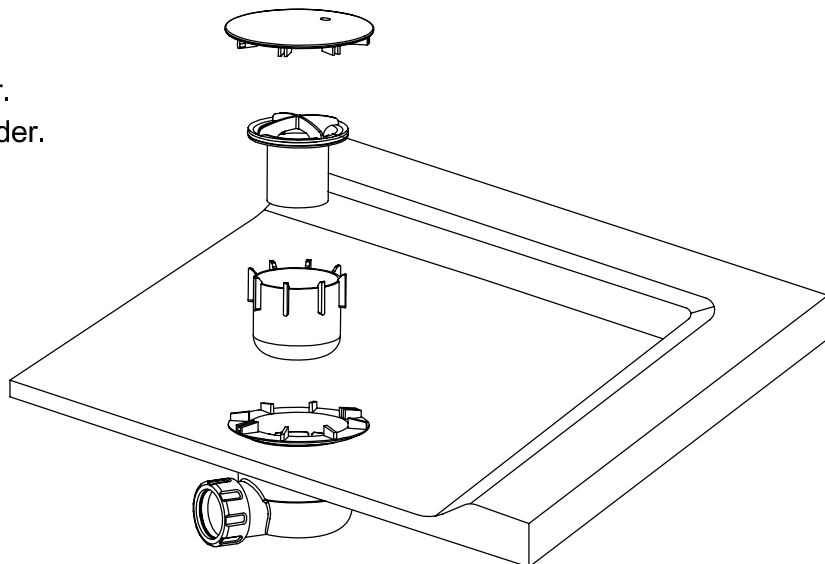
Note:
 Unless marked, the length, width dimension tolerance should be ±5.
 The tray thickness dimension tolerance should be ±2.
 The waste hole ID dimension tolerance should be $\begin{smallmatrix} +2 \\ -3 \end{smallmatrix}$.

INSTALLATION INSTRUCTION FOR HIGH FLOW WASTE - STHFW6190



Maintenance:

- Remove the waste cover.
- Remove the inner filter.
- Clean with hot soapy water.
- Re-assemble in reverse order.



simpsons 

For any further information please contact Crosswater on 01483 303711
Or visit our web-site at www.simpsons-enclosures.co.uk
The manufacturer reserves the right to make technical modifications
without prior notification.

crosswater 

For any further information please contact Crosswater on 01322 628270
Or visit our web-site at www.crosswater.co.uk
The manufacturer reserves the right to make technical modifications
without prior notification.