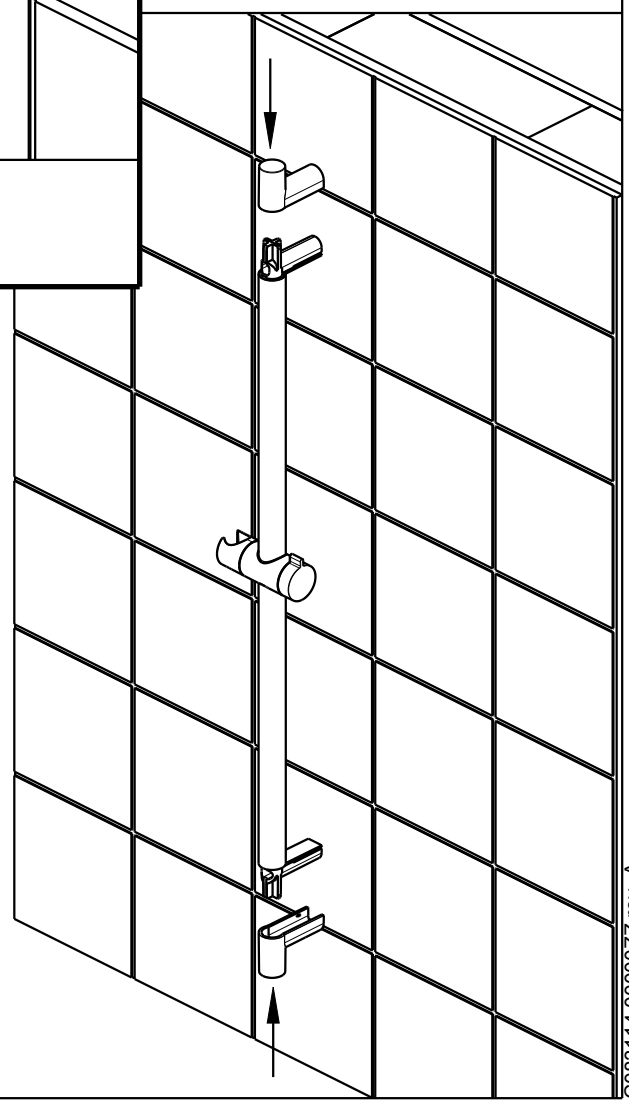
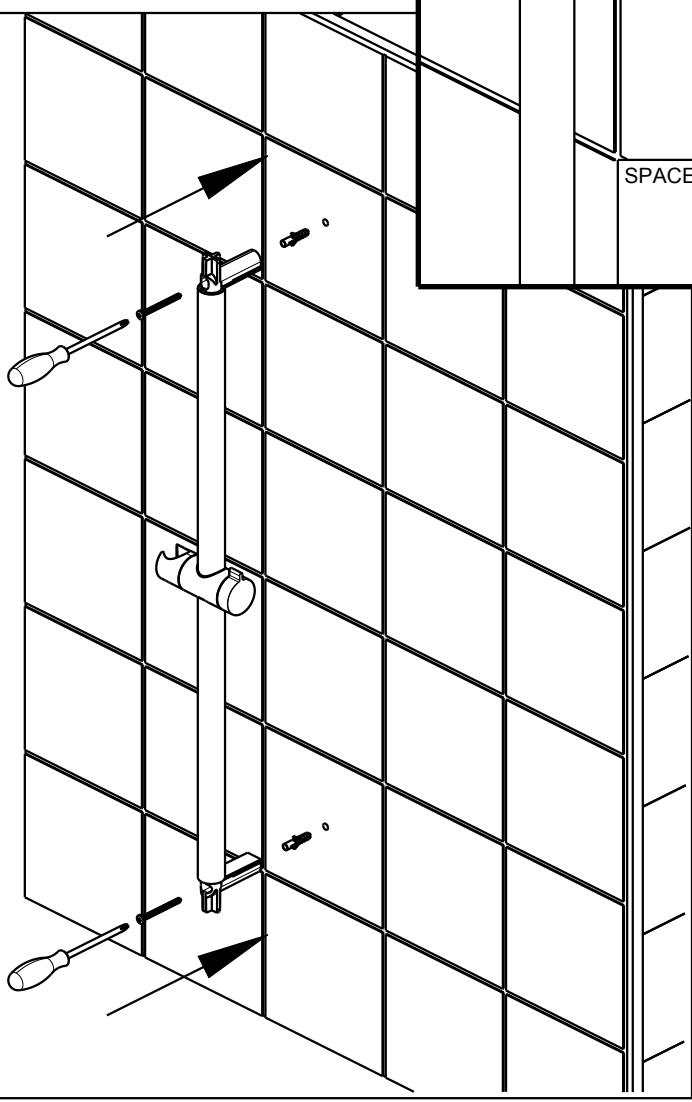
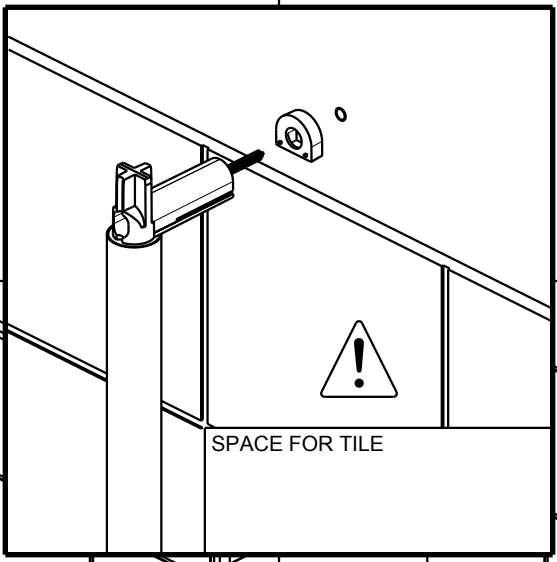
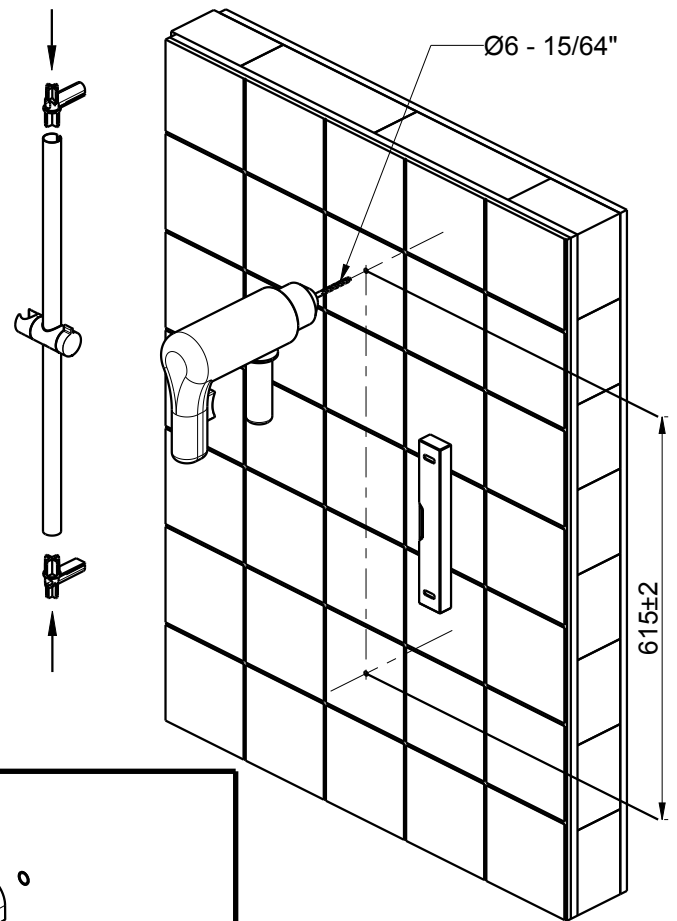
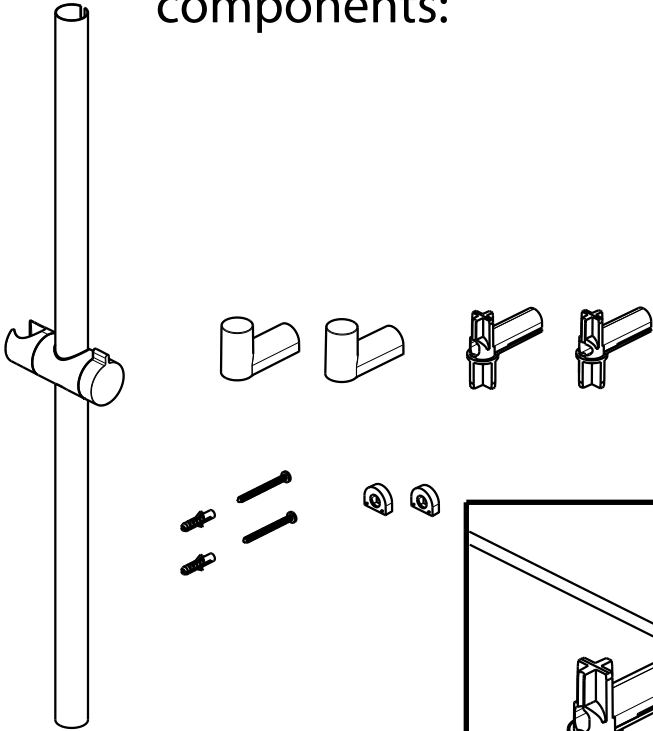


PRO600 V/M/F

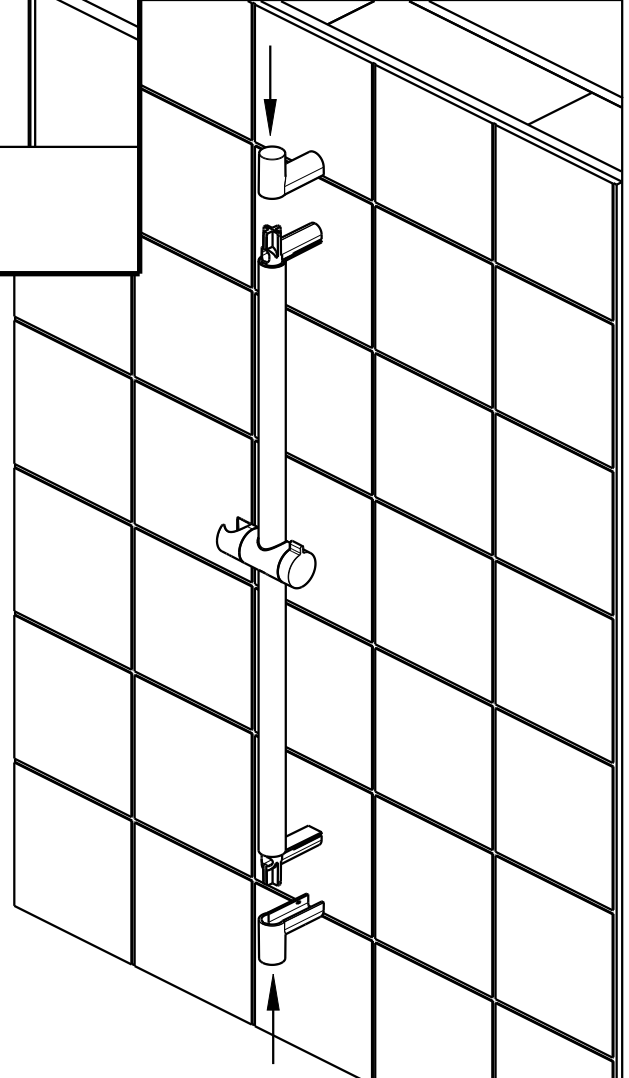
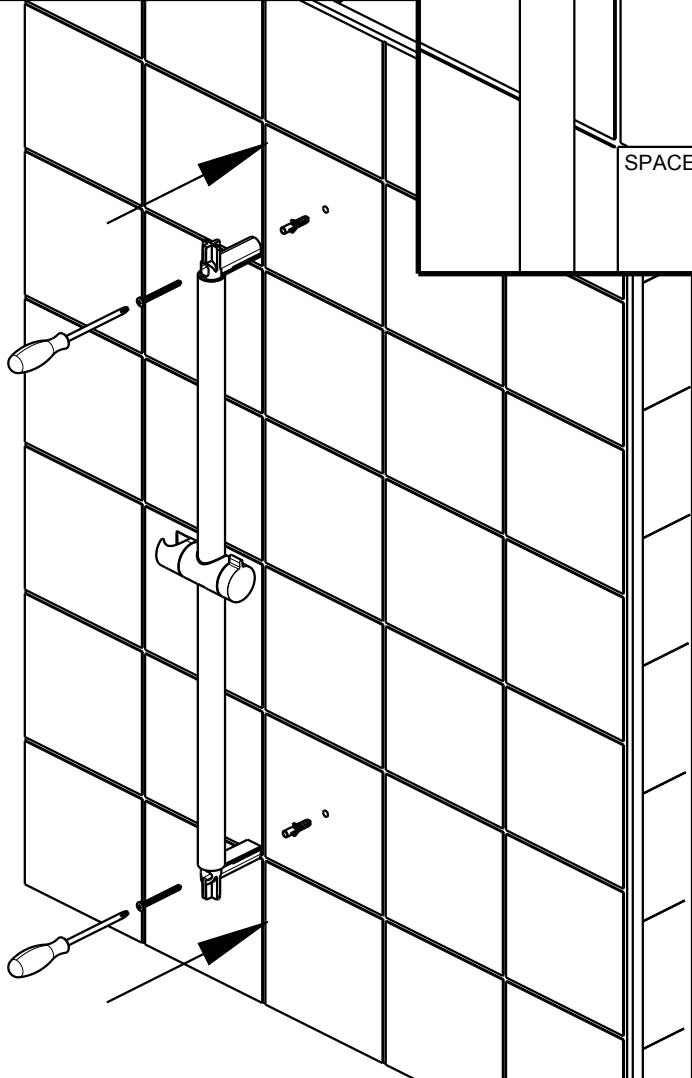
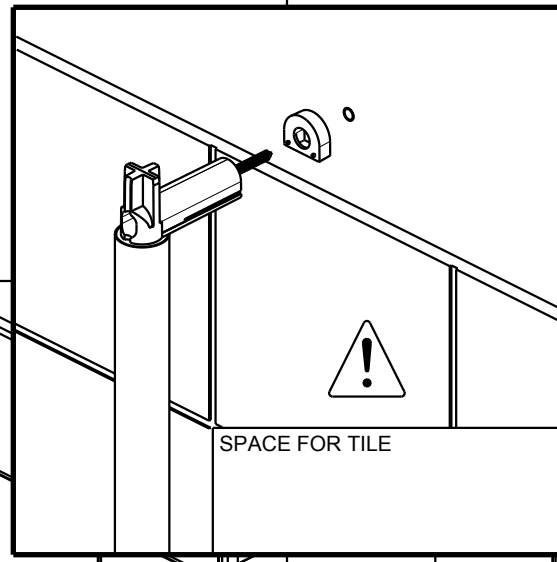
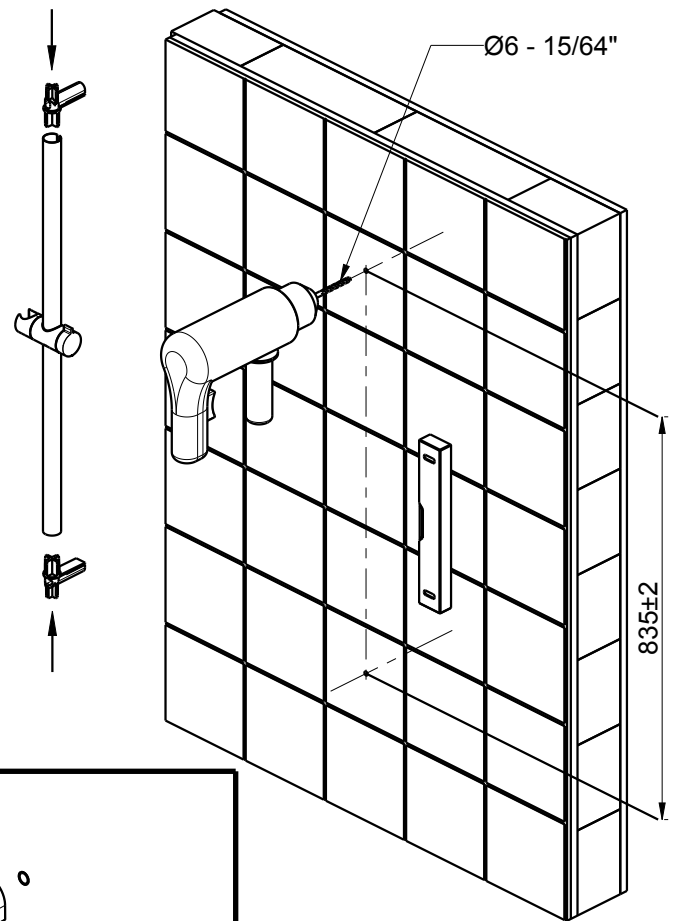
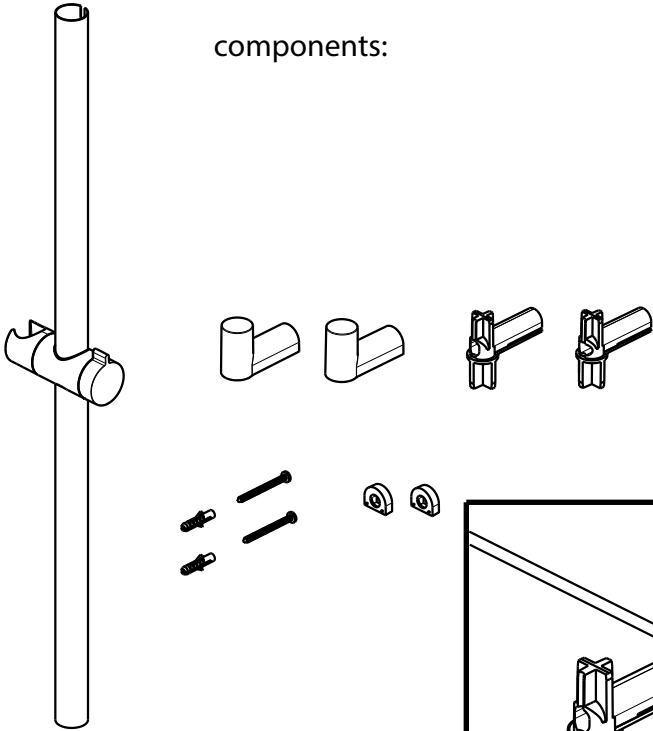
crosswater[®]

components:



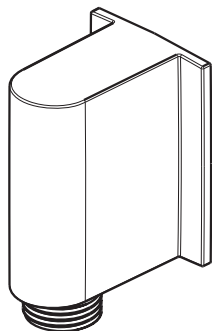
ASSEMBLY INSTRUCTIONS

components:

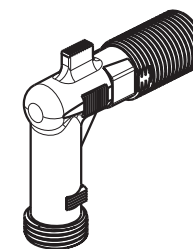
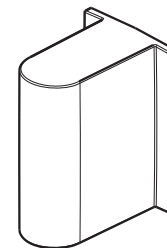
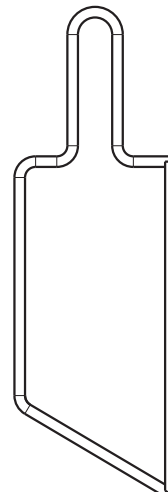
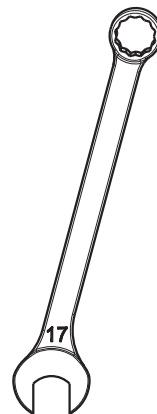


PRO0955 V/M/F

MOUNTING INSTRUCTIONS I



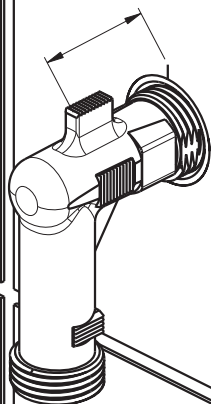
crosswater[®]



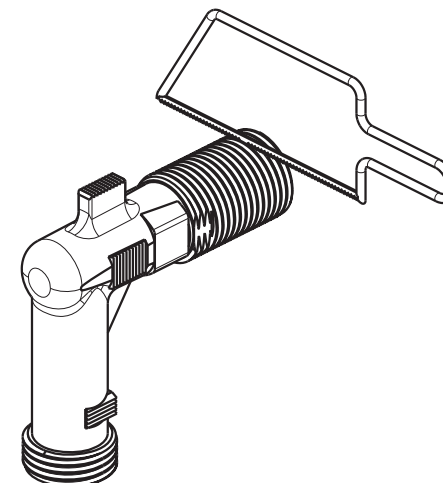
1x

1x

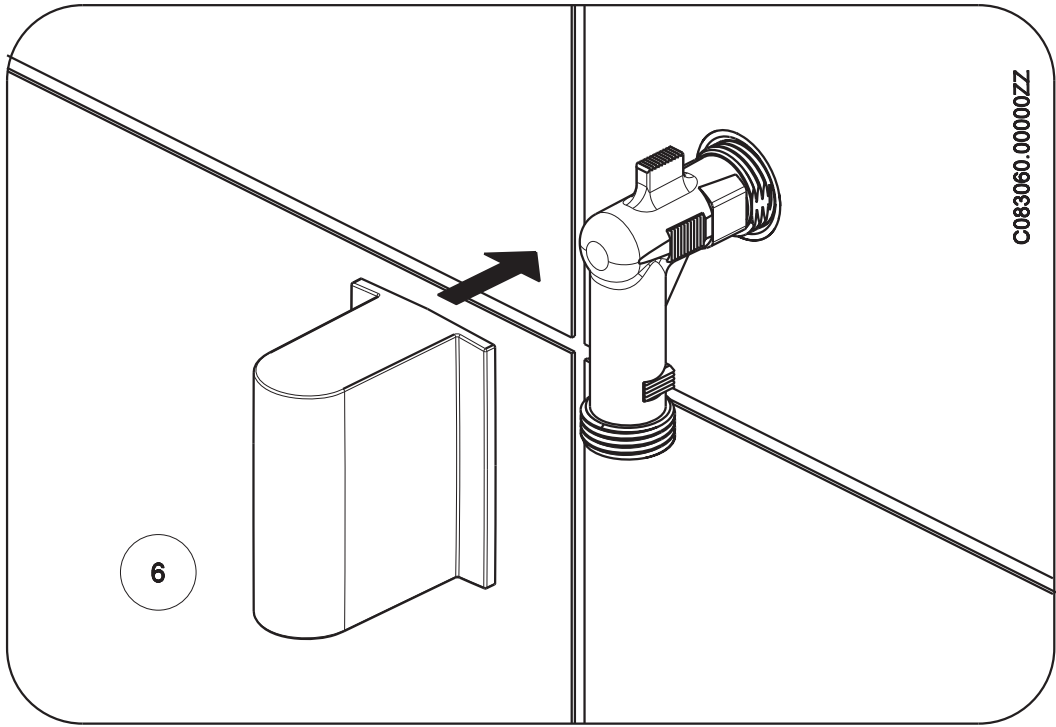
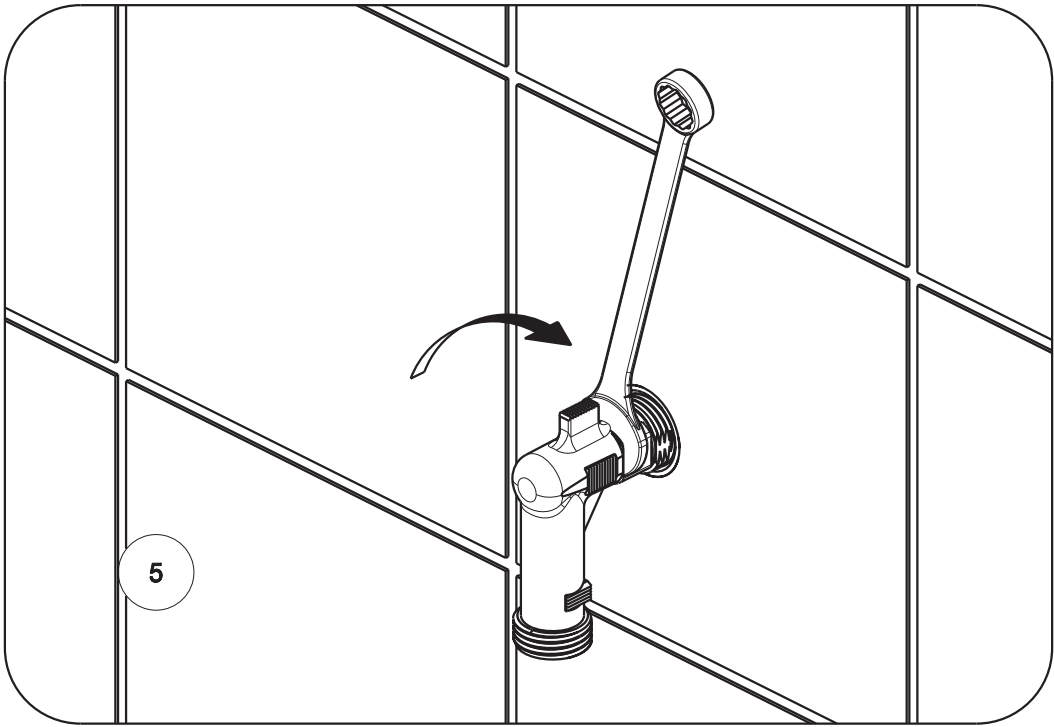
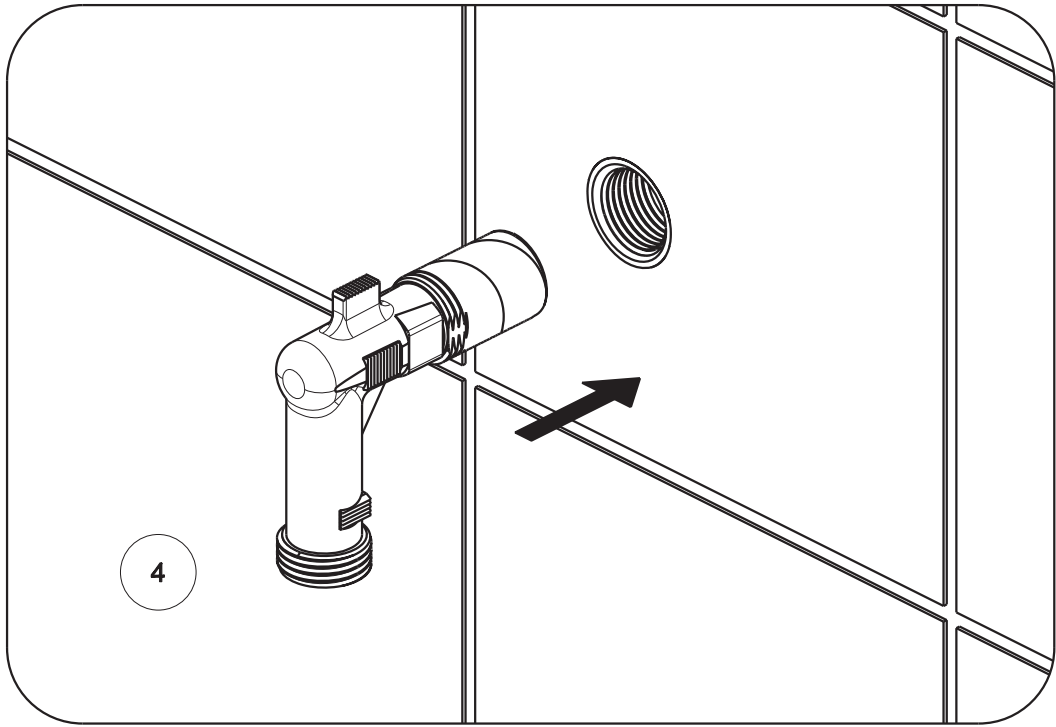
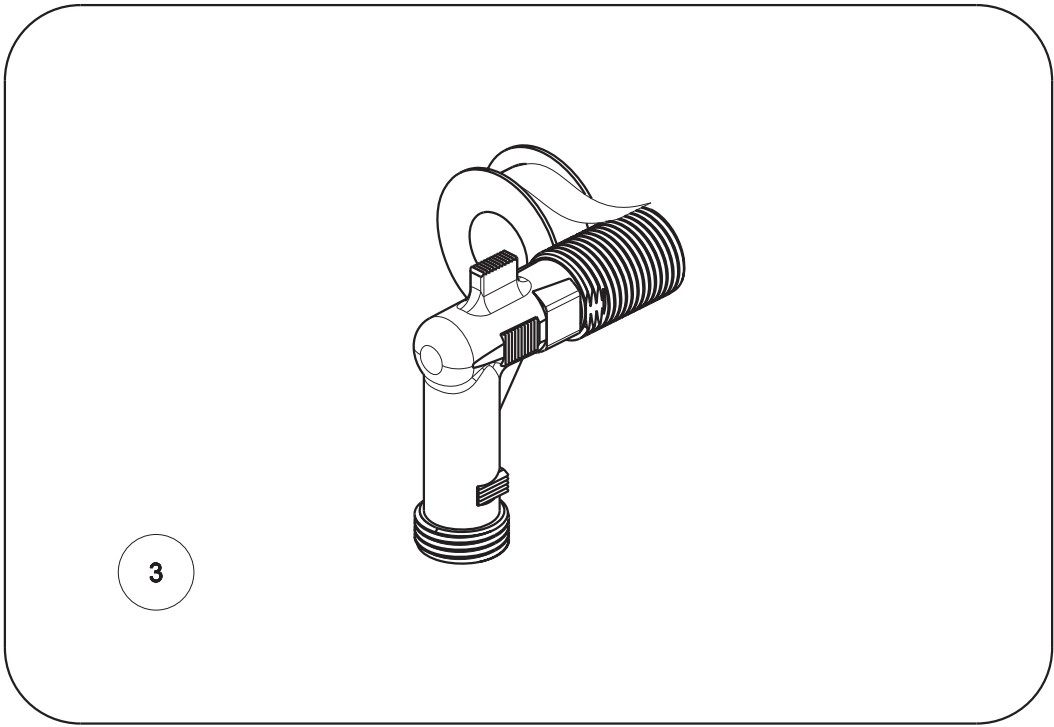
MIN 21 mm
MAX 29 mm



1



2



C083060.00000ZZ