

PRODUCT DATA SHEET



PRODUCT CODE

MOD1500R

RANGE

Module

DESCRIPTION

Module 2 Outlet Valve

MATERIAL	Brass
INSTALLATION TYPE	Wall Mounted
STANDARDS	EN 1111:2017
HEADWORK	Thermo Cartridge Flow Controls
INLET CONNECTIONS THREAD	G3/4"
OUTLET CONNECTIONS THREAD	G3/4"
WEIGHT	5kg
WARRANTY	15 Years (5 Years Cartridge)

MIN. PRESSURE 1 Bar

MAX. PRESSURE 5 Bar

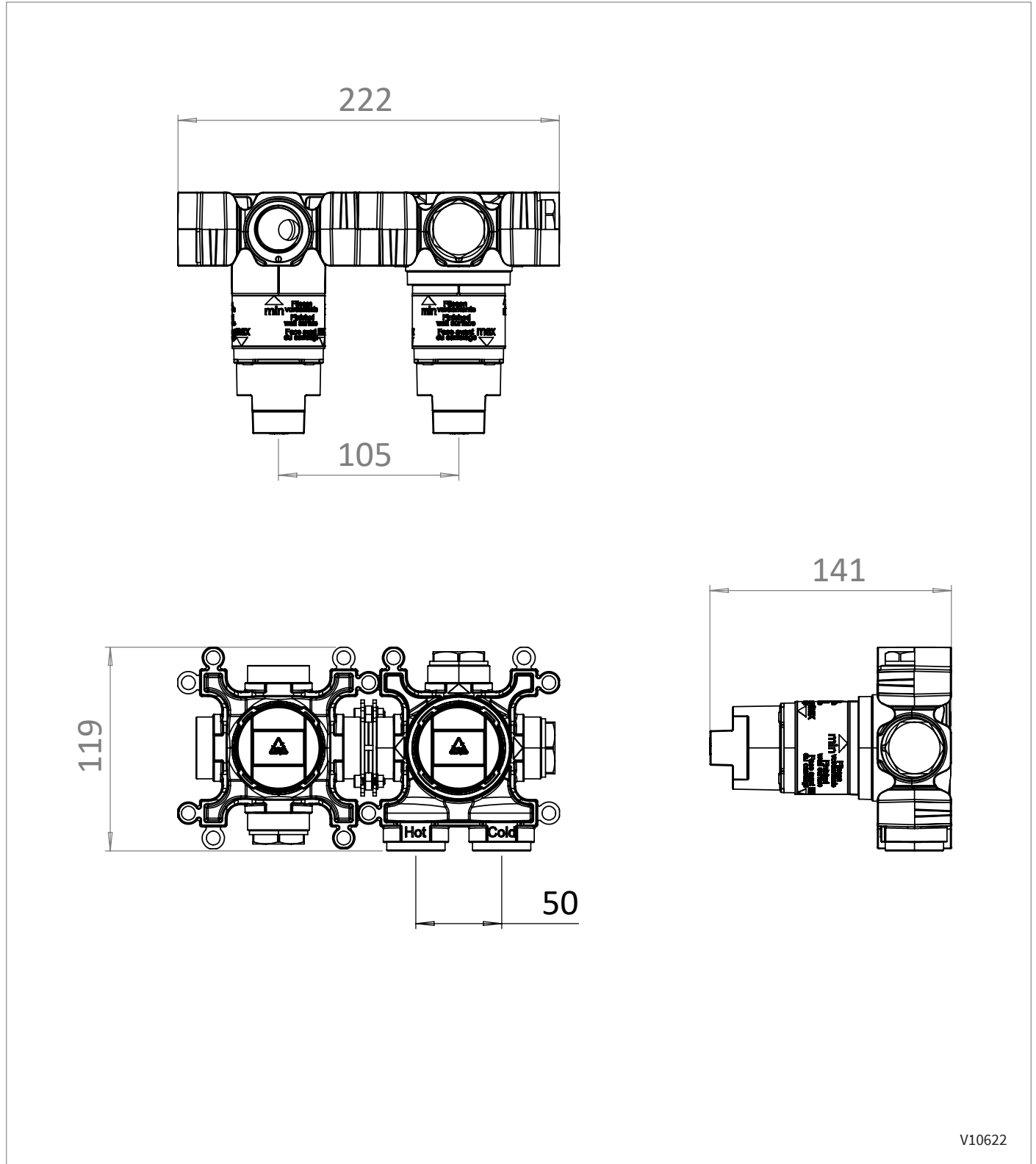
PROMODDIVLBPx - 2 OUTLET

PRESSURE (BAR)	FLOWRATE		
	EXIT 1	EXIT 2	EXIT 1+2
MID			
0.5	9.2	9.2	9.7
1	13	13	13.7
2	18.7	18.7	19.7
HIGH			
3	23	23	24.2
4	26.5	26.5	28
5	29.5	29.5	31.4

TECHNICAL DIMENSIONS

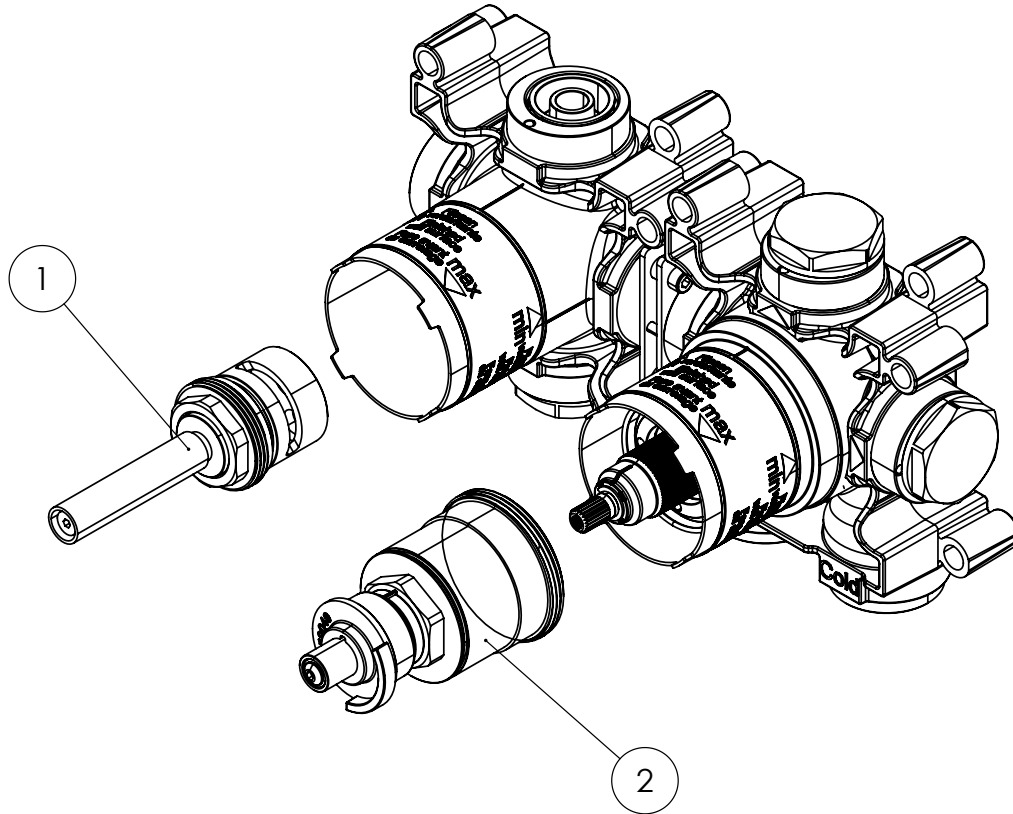
Dimensions in mm unless otherwise specified.

Tolerances (per material type) apply.



V10622

SPARES DIAGRAM



NUMBER	PART CODE	DESCRIPTION
1	E250005.000HESC	Module 2 Way Diverter Cartridge
2	E250031.000HESC	Module Thermo Cartridge

Only the parts labelled are available as spares.

V10822

PRODUCT DATA SHEET



PRODUCT CODE

MOD2500R

RANGE

Module

DESCRIPTION

Module 3 Outlet Valve

MATERIAL	Brass
INSTALLATION TYPE	Wall Mounted
STANDARDS	EN 1111:2017
HEADWORK	Thermo Cartridge Flow Controls
INLET CONNECTIONS THREAD	G3/4"
OUTLET CONNECTIONS THREAD	G3/4"
WEIGHT	3kg
WARRANTY	15 Years (5 Years Cartridge)

MIN. PRESSURE 1 Bar

MAX. PRESSURE 5 Bar

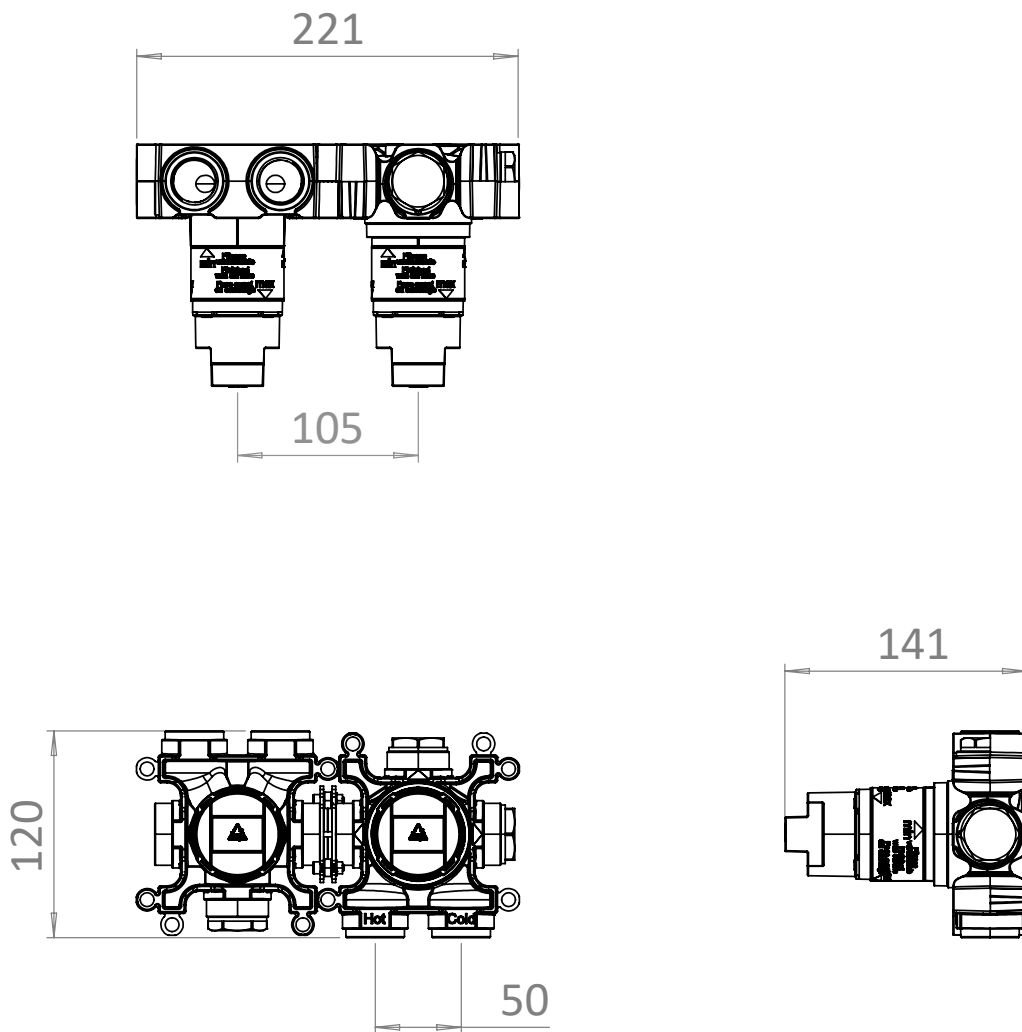
PROMODDIVLBPx - 3 OUTLET

PRESSURE (BAR)	FLOWRATE		
	EXIT 1	EXIT 2	EXIT 3
MID	0.5	10	9.7
	1	13.7	13.4
	2	19.5	19
HIGH	3	23.8	23.3
	4	27.5	26.8
	5	30.5	29.8

TECHNICAL DIMENSIONS

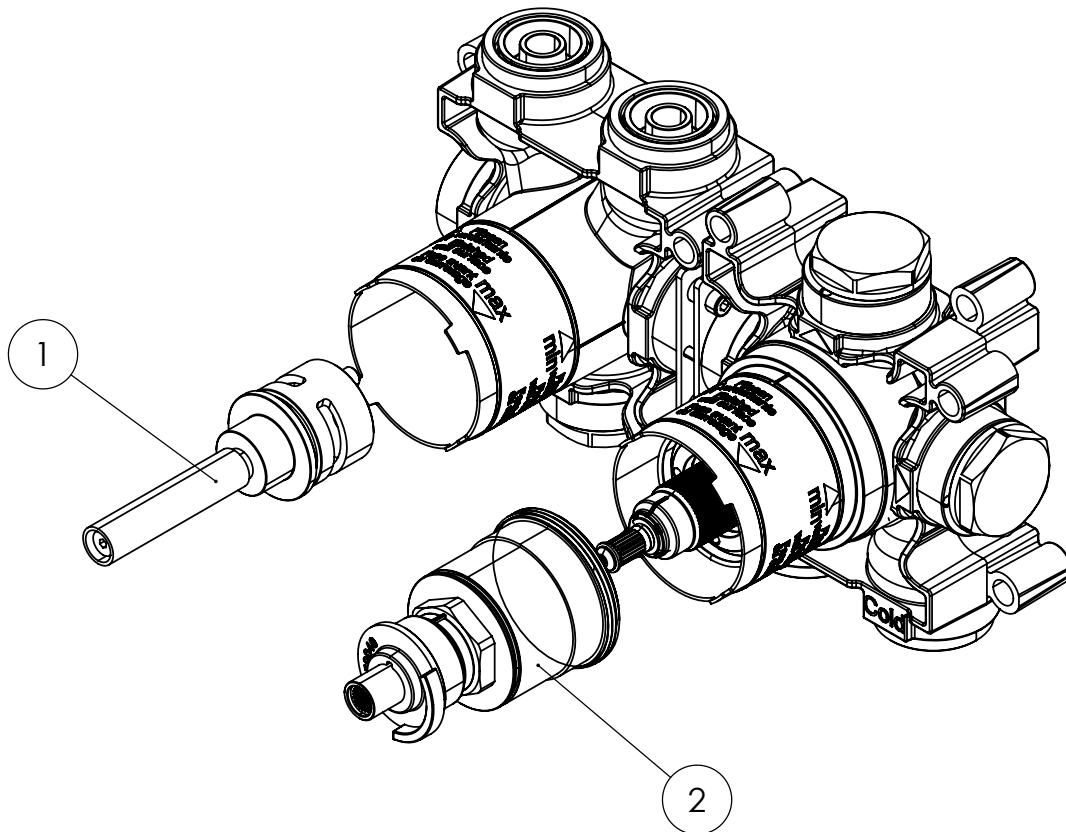
Dimensions in mm unless otherwise specified.

Tolerances (per material type) apply.



V10622

SPARES DIAGRAM



NUMBER	PART CODE	DESCRIPTION
1	E250005.000HESC	Module 2 Way Diverter Cartridge
2	E250031.000HESC	Module Thermo Cartridge

Only the parts labelled are available as spares.

V10822