

PRODUCT DATA SHEET



PRODUCT CODE

CAIDFC0760

RANGE

Clear 6

DESCRIPTION

Clear 6 Infold Door 760 Brushed Brass

WEBSITE LINK [Click Here](#)

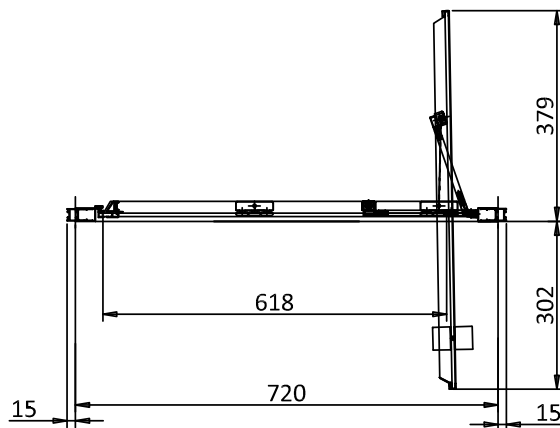
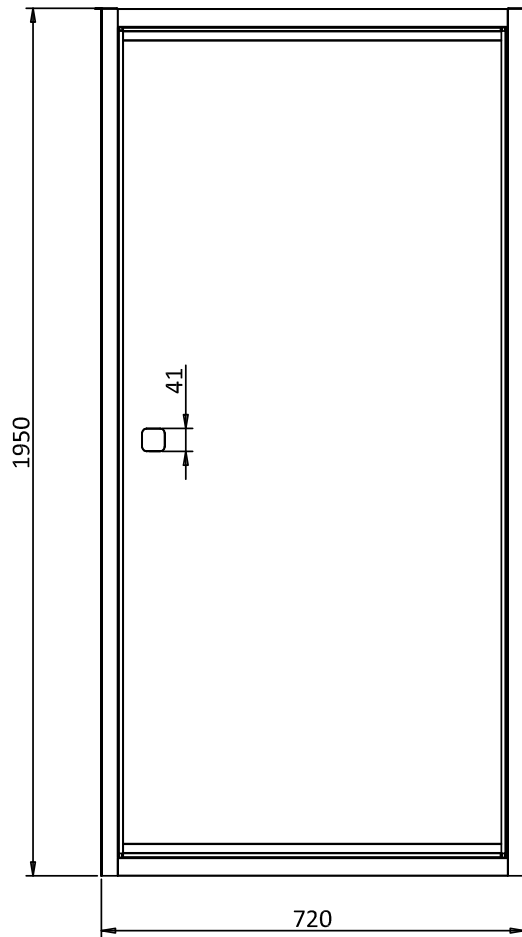
CATEGORY	Showering
WARRANTY DETAILS	Lifetime
COLOUR	Brushed Brass
FINISH APPLICATION	Anodised
PRIMARY MATERIAL	Glass
INSTALL TYPE	Wall Mounted
PRODUCT WIDTH MM	720
PRODUCT HEIGHT MM	1950
PRODUCT NET WEIGHT KG	24
STANDARDS	EN14428

HANDING SHOWERING	Universal
GLASS THICKNESS	6mm
EASY CLEAN	Yes
MAGNETIC DOOR STRIPS	Yes
POWER SHOWER PROOF	No
NUMBER OF DOORS	1
SOFT CLOSING DOORS	No
SAFETY GLASS	Yes
REMOVABLE SEALS	Yes
QUICK RELEASE ROLLERS	No
WET ROOM COMPATIBLE	Yes
DOOR A INFORMATION	Infold door
DOOR OPENING	578mm
DOOR ADJUSTMENT	720-750mm

TECHNICAL DIMENSIONS

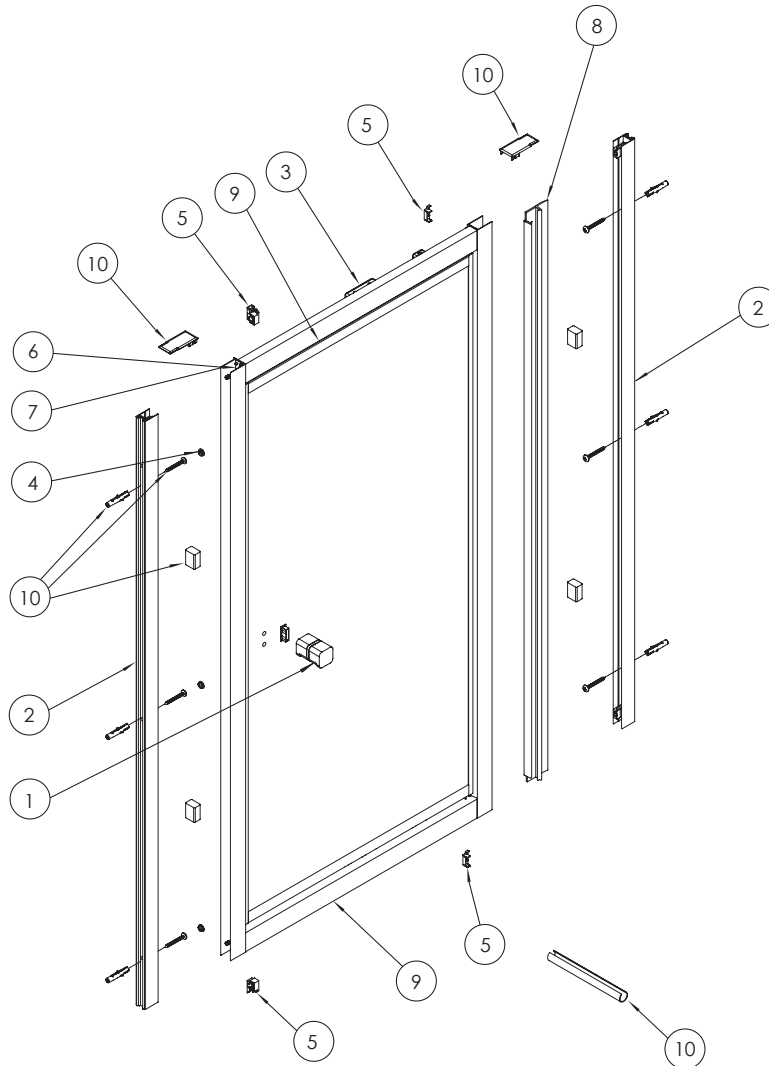
Dimensions in mm unless otherwise specified.

Tolerances (per material type) apply.



SPARES LIST

Only the parts labelled are available as spares.



NUMBER	PART CODE	DESCRIPTION
1	CA600006F	Clear Handle All Models x1 Br Brass
2	CAPROFILEF	Clear Wall Profile Br Brass
3	CA600021F	Clear Infold Rollers x2 Br Brass
4	CA000036F	Clear 6 Screw Cover All Doors Br Brass x3
5	CA600022F	Clear Infold Covers G-H-I-J Br Brass
6	CA600004F	Clear Lock Cover x4 Br Brass
7	ET0000031	Clear 6 Locking Levers
8	CA600025	Clear Infold Door Long Seal 1868mm
9	CA600024	Clear Infold Door Top/Bottom Seal 884mm
10	CAINFOLDPACKF	Clear 6 Install Pack Infold Br Brass

PRODUCT DATA SHEET



PRODUCT CODE

CAIDFC0800

RANGE

Clear 6

DESCRIPTION

Clear 6 Infold Door 800 Brushed Brass

WEBSITE LINK [Click Here](#)

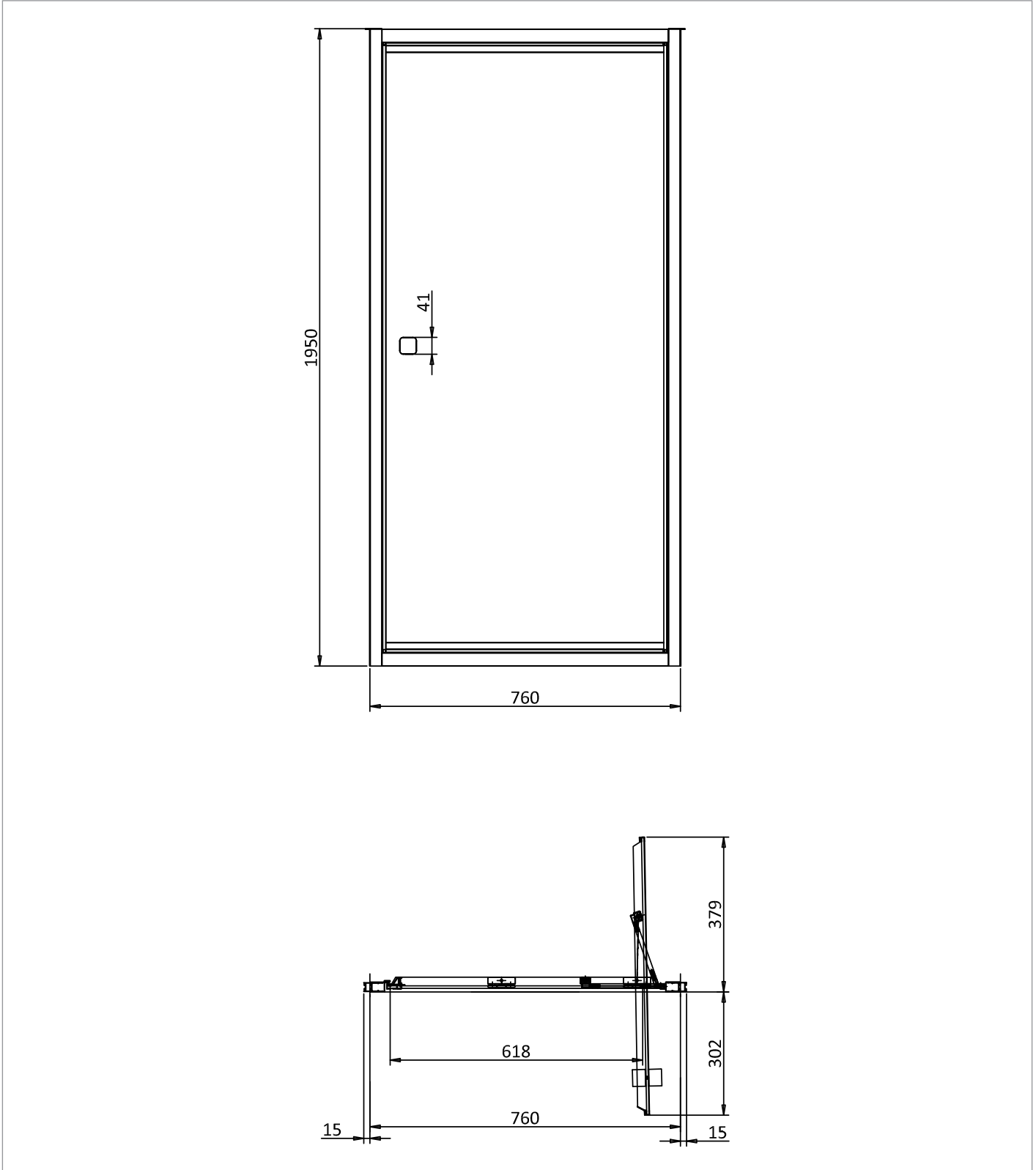
CATEGORY	Showering
WARRANTY DETAILS	Lifetime
COLOUR	Brushed Brass
FINISH APPLICATION	Anodised
PRIMARY MATERIAL	Glass
INSTALL TYPE	Wall Mounted
PRODUCT WIDTH MM	760
PRODUCT HEIGHT MM	1950
PRODUCT NET WEIGHT KG	26
STANDARDS	EN14428

HANDING SHOWERING	Universal
GLASS THICKNESS	6mm
EASY CLEAN	Yes
MAGNETIC DOOR STRIPS	Yes
POWER SHOWER PROOF	Yes
NUMBER OF DOORS	1
SOFT CLOSING DOORS	No
SAFETY GLASS	Yes
REMOVABLE SEALS	Yes
QUICK RELEASE ROLLERS	No
WET ROOM COMPATIBLE	Yes
DOOR A INFORMATION	Infold door
DOOR OPENING	618mm
DOOR ADJUSTMENT	760-790mm

TECHNICAL DIMENSIONS

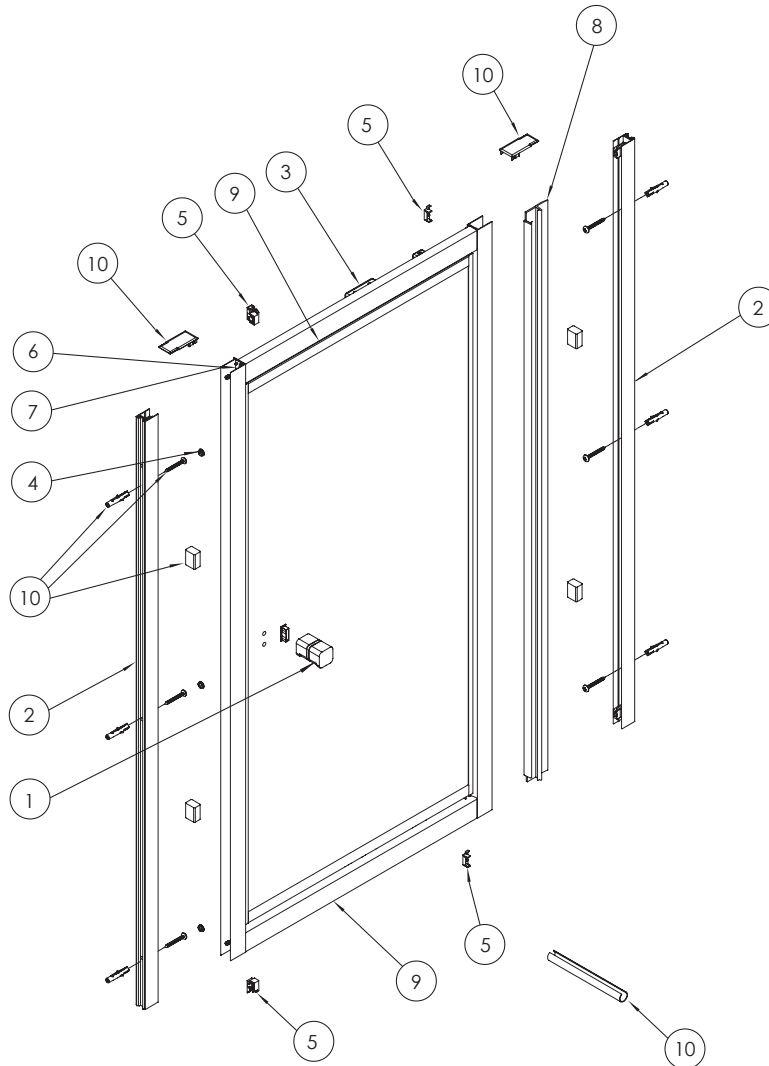
Dimensions in mm unless otherwise specified.

Tolerances (per material type) apply.



SPARES LIST

Only the parts labelled are available as spares.



NUMBER	PART CODE	DESCRIPTION
1	CA600006F	Clear Handle All Models x1 Br Brass
2	CAPROFILEF	Clear Wall Profile Br Brass
3	CA600021F	Clear Infold Rollers x2 Br Brass
4	CA000036F	Clear 6 Screw Cover All Doors Br Brass x3
5	CA600022F	Clear Infold Covers G-H-I-J Br Brass
6	CA600004F	Clear Lock Cover x4 Br Brass
7	ET0000031	Clear 6 Locking Levers
8	CA600025	Clear Infold Door Long Seal 1868mm
9	CA600024	Clear Infold Door Top/Bottom Seal 884mm
10	CAINFOLDPACKF	Clear 6 Install Pack Infold Br Brass

PRODUCT DATA SHEET



PRODUCT CODE

CAIDFC0900

RANGE

Clear 6

DESCRIPTION

Clear 6 Infold Door 900 Brushed Brass

WEBSITE LINK [Click Here](#)

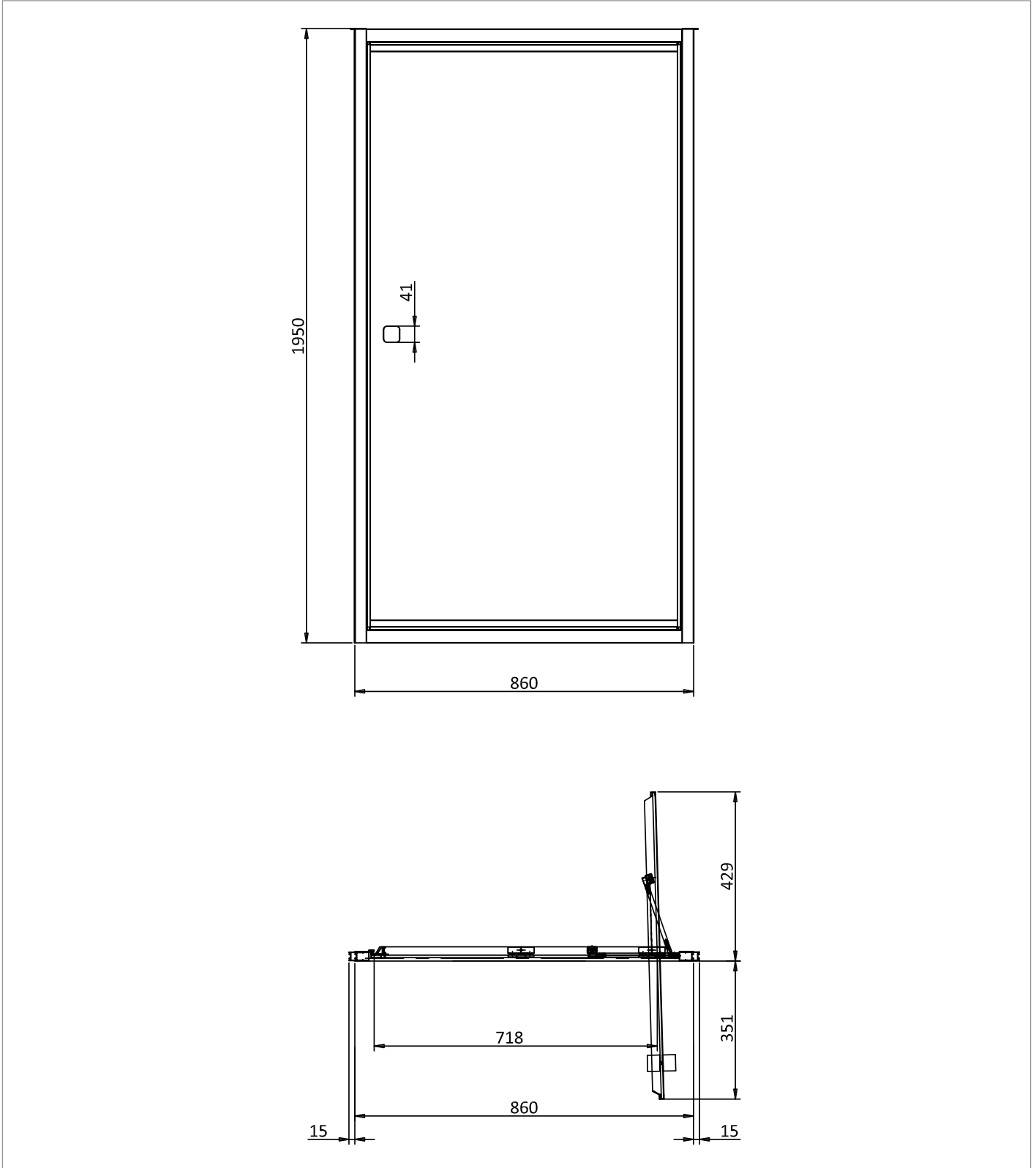
CATEGORY	Showering
WARRANTY DETAILS	Lifetime
COLOUR	Brushed Brass
FINISH APPLICATION	Anodised
PRIMARY MATERIAL	Glass
INSTALL TYPE	Wall Mounted
PRODUCT WIDTH MM	860
PRODUCT HEIGHT MM	1950
PRODUCT NET WEIGHT KG	29
STANDARDS	EN14428

HANDING SHOWERING	Universal
GLASS THICKNESS	6mm
EASY CLEAN	Yes
MAGNETIC DOOR STRIPS	Yes
POWER SHOWER PROOF	Yes
NUMBER OF DOORS	1
SOFT CLOSING DOORS	No
SAFETY GLASS	Yes
REMOVABLE SEALS	Yes
QUICK RELEASE ROLLERS	No
WET ROOM COMPATIBLE	Yes
DOOR A INFORMATION	Infold door
DOOR OPENING	718mm
DOOR ADJUSTMENT	860-890mm

TECHNICAL DIMENSIONS

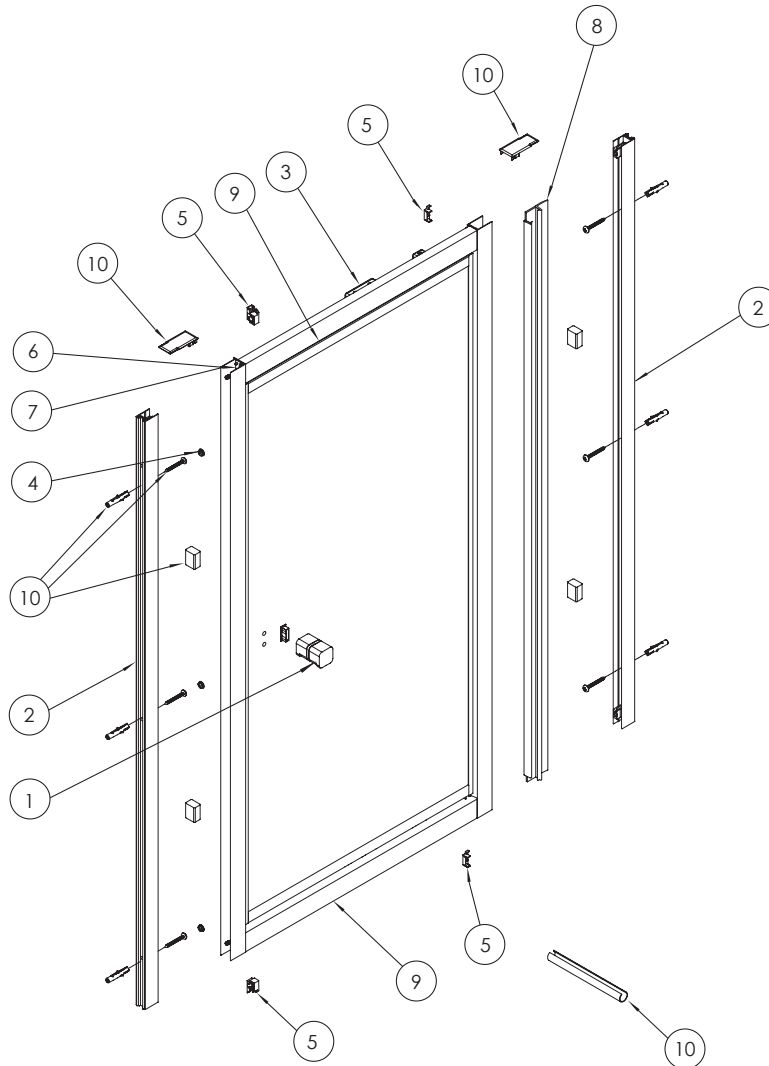
Dimensions in mm unless otherwise specified.

Tolerances (per material type) apply.



SPARES LIST

Only the parts labelled are available as spares.



NUMBER	PART CODE	DESCRIPTION
1	CA600006F	Clear Handle All Models x1 Br Brass
2	CAPROFILEF	Clear Wall Profile Br Brass
3	CA600021F	Clear Infold Rollers x2 Br Brass
4	CA000036F	Clear 6 Screw Cover All Doors Br Brass x3
5	CA600022F	Clear Infold Covers G-H-I-J Br Brass
6	CA600004F	Clear Lock Cover x4 Br Brass
7	ET0000031	Clear 6 Locking Levers
8	CA600025	Clear Infold Door Long Seal 1868mm
9	CA600024	Clear Infold Door Top/Bottom Seal 884mm
10	CAINFOLDPACKF	Clear 6 Install Pack Infold Br Brass

PRODUCT DATA SHEET

crosswater[®]



PRODUCT CODE

CAIDFC1000

RANGE

Clear 6

DESCRIPTION

Clear 6 Infold Door 1000 Brushed Brass

WEBSITE LINK [Click Here](#)

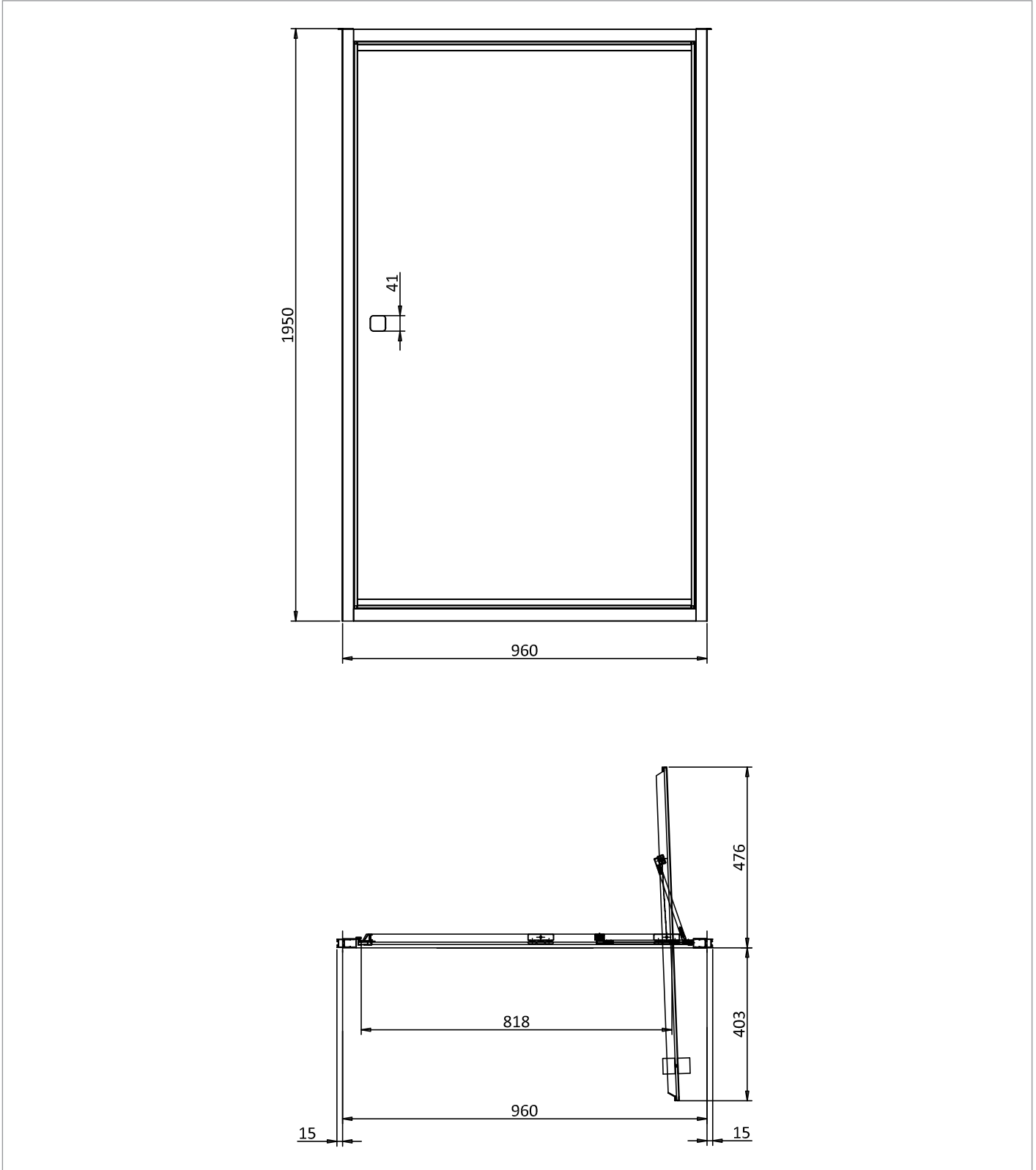
CATEGORY	Showering
WARRANTY DETAILS	Lifetime
COLOUR	Brushed Brass
FINISH APPLICATION	Anodised
PRIMARY MATERIAL	Glass
INSTALL TYPE	Wall Mounted
PRODUCT WIDTH MM	960
PRODUCT HEIGHT MM	1950
PRODUCT NET WEIGHT KG	32
STANDARDS	EN14428

HANDING SHOWERING	Universal
GLASS THICKNESS	6mm
EASY CLEAN	Yes
MAGNETIC DOOR STRIPS	Yes
POWER SHOWER PROOF	Yes
NUMBER OF DOORS	1
SOFT CLOSING DOORS	No
SAFETY GLASS	Yes
REMOVABLE SEALS	Yes
QUICK RELEASE ROLLERS	No
WET ROOM COMPATIBLE	Yes
DOOR A INFORMATION	Infold door
DOOR OPENING	819mm
DOOR ADJUSTMENT	960-990mm

TECHNICAL DIMENSIONS

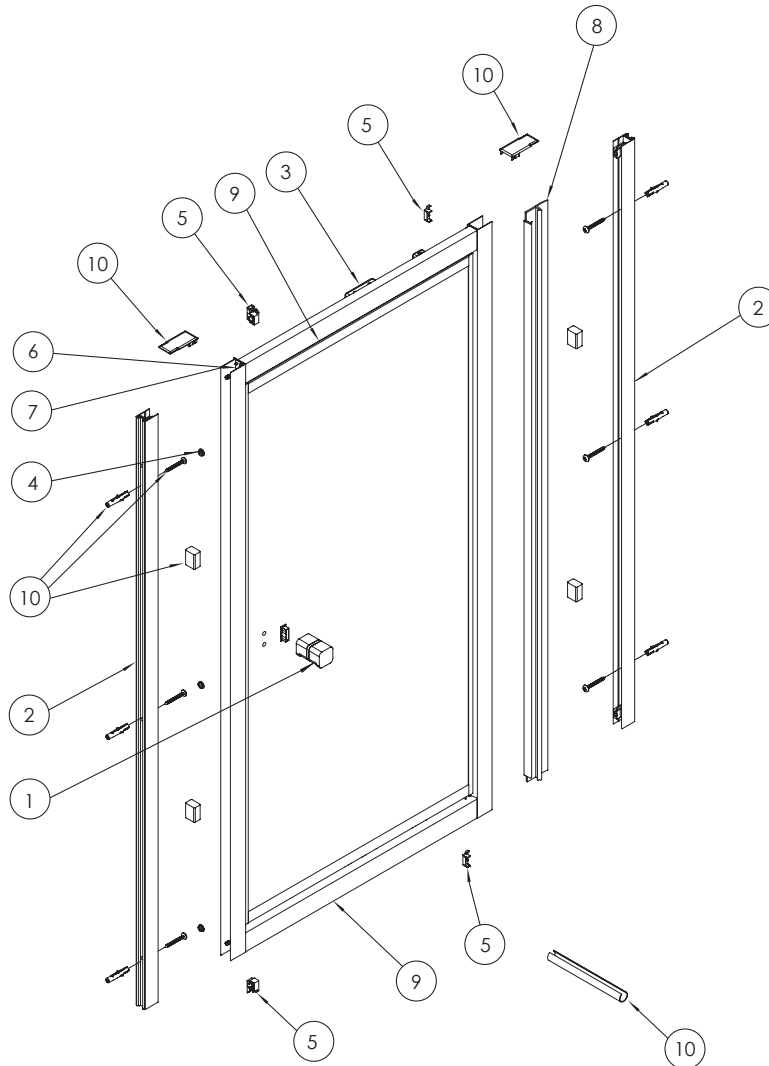
Dimensions in mm unless otherwise specified.

Tolerances (per material type) apply.



SPARES LIST

Only the parts labelled are available as spares.



NUMBER	PART CODE	DESCRIPTION
1	CA600006F	Clear Handle All Models x1 Br Brass
2	CAPROFILEF	Clear Wall Profile Br Brass
3	CA600021F	Clear Infold Rollers x2 Br Brass
4	CA000036F	Clear 6 Screw Cover All Doors Br Brass x3
5	CA600022F	Clear Infold Covers G-H-I-J Br Brass
6	CA600004F	Clear Lock Cover x4 Br Brass
7	ET0000031	Clear 6 Locking Levers
8	CA600025	Clear Infold Door Long Seal 1868mm
9	CA600024	Clear Infold Door Top/Bottom Seal 884mm
10	CAINFOLDPACKF	Clear 6 Install Pack Infold Br Brass

PRODUCT DATA SHEET



PRODUCT CODE

CASFBC0760

RANGE

Clear 6

DESCRIPTION

Clear 6 Side Panel 760 Brushed Brass

WEBSITE LINK [Click Here](#)

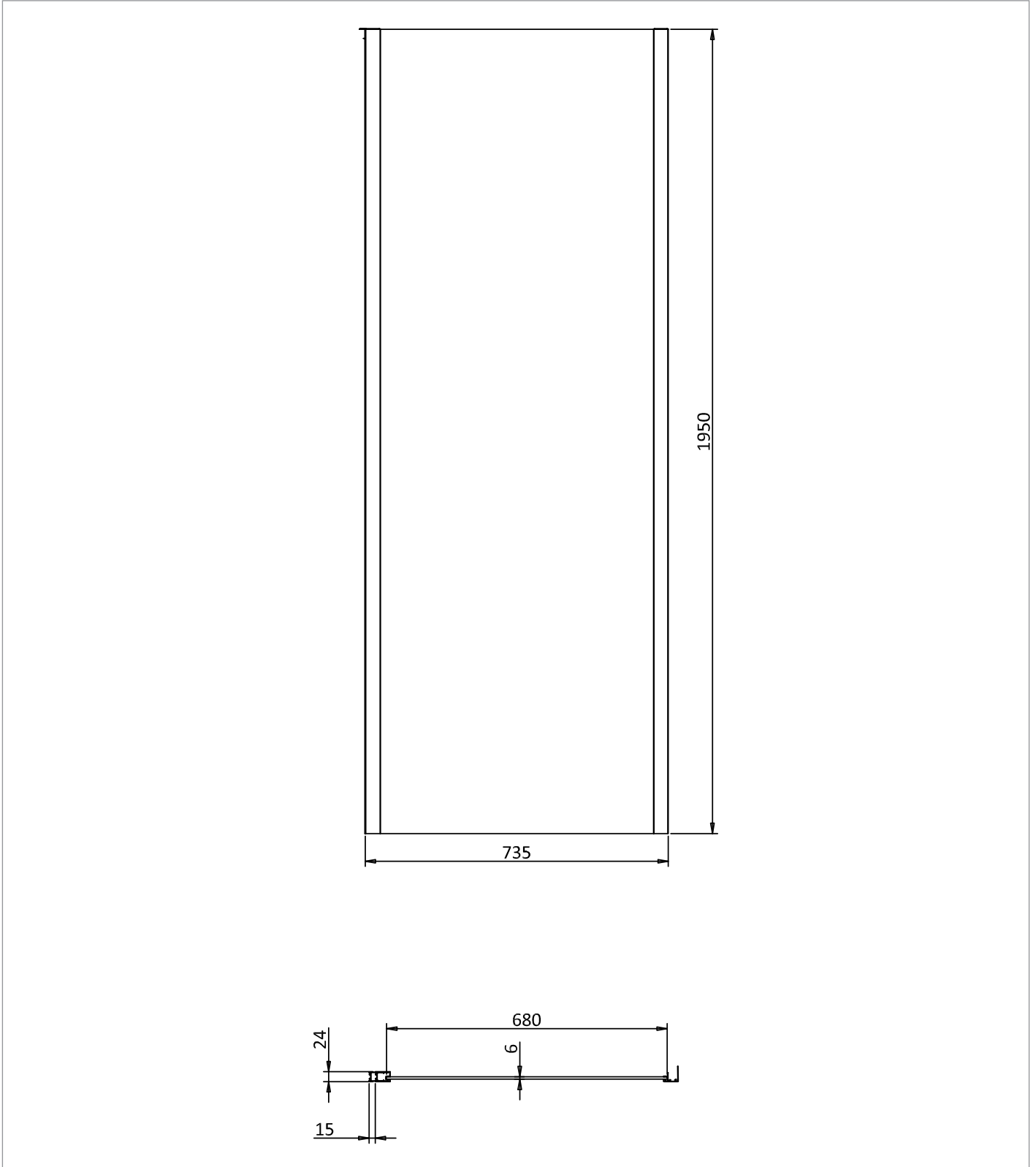
CATEGORY	Showering
WARRANTY DETAILS	Lifetime
COLOUR	Brushed Brass
FINISH APPLICATION	Anodised
PRIMARY MATERIAL	Glass
INSTALL TYPE	Wall Mounted
PRODUCT WIDTH MM	735
PRODUCT HEIGHT MM	1950
PRODUCT NET WEIGHT KG	23
STANDARDS	EN14428

HANDING SHOWERING	Universal
GLASS THICKNESS	6mm
EASY CLEAN	Yes
MAGNETIC DOOR STRIPS	No
POWER SHOWER PROOF	Yes
NUMBER OF DOORS	1
SOFT CLOSING DOORS	No
SAFETY GLASS	Yes
REMOVABLE SEALS	No
QUICK RELEASE ROLLERS	No
WET ROOM COMPATIBLE	Yes
DOOR A INFORMATION	Side panel
DOOR ADJUSTMENT	735-750mm

TECHNICAL DIMENSIONS

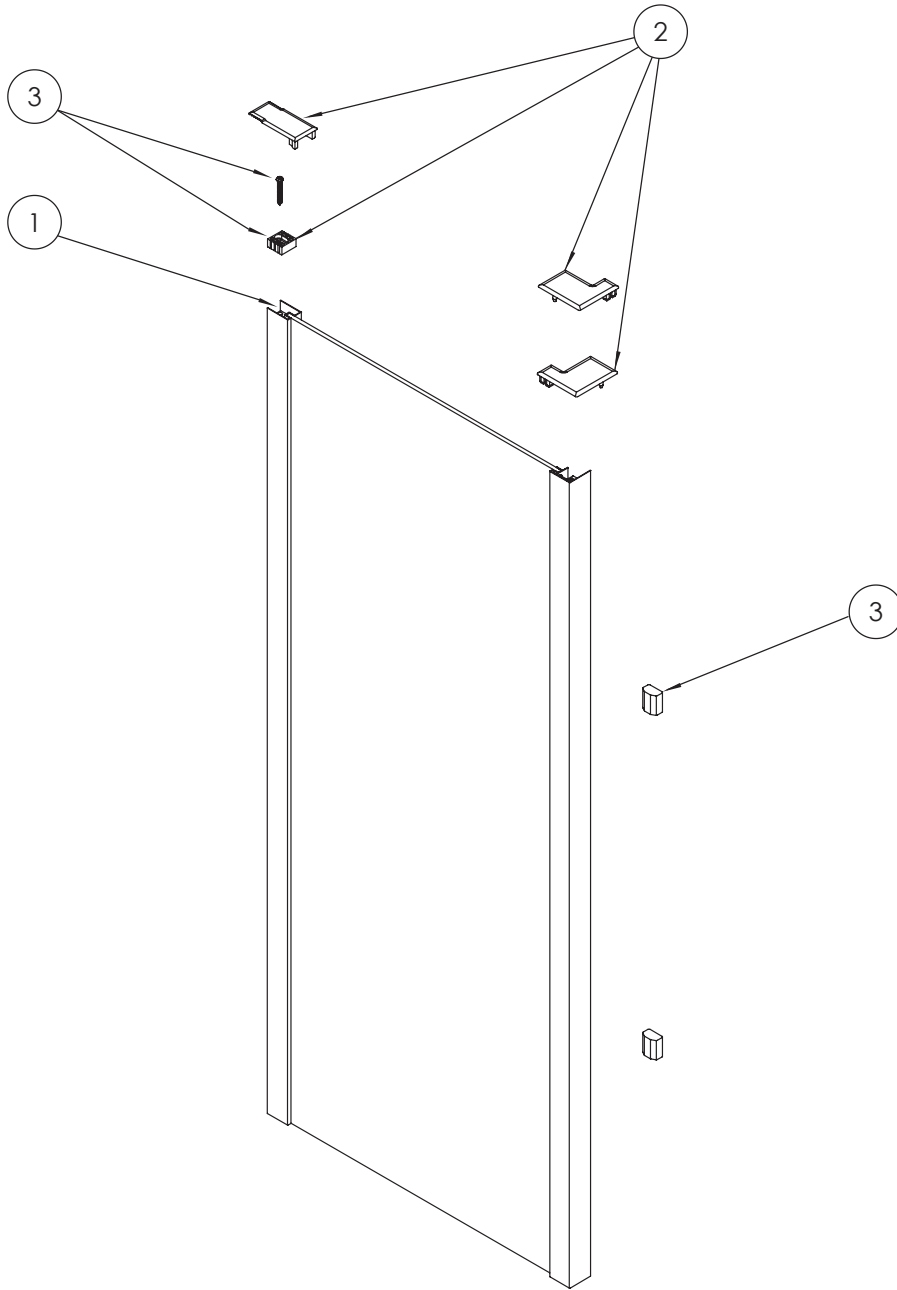
Dimensions in mm unless otherwise specified.

Tolerances (per material type) apply.



SPARES LIST

Only the parts labelled are available as spares.



NUMBER	PART CODE	DESCRIPTION
1	ET0000031	Clear 6 Locking Levers
2	CA600017	Clear Side Panel Parts AB AC AD AE
3	CASIDEPACKF	Clear 6 Install Pack Side Panel Br Brass

PRODUCT DATA SHEET



PRODUCT CODE

CASFBC0800

RANGE

Clear 6

DESCRIPTION

Clear 6 Side Panel 800 Brushed Brass

WEBSITE LINK [Click Here](#)

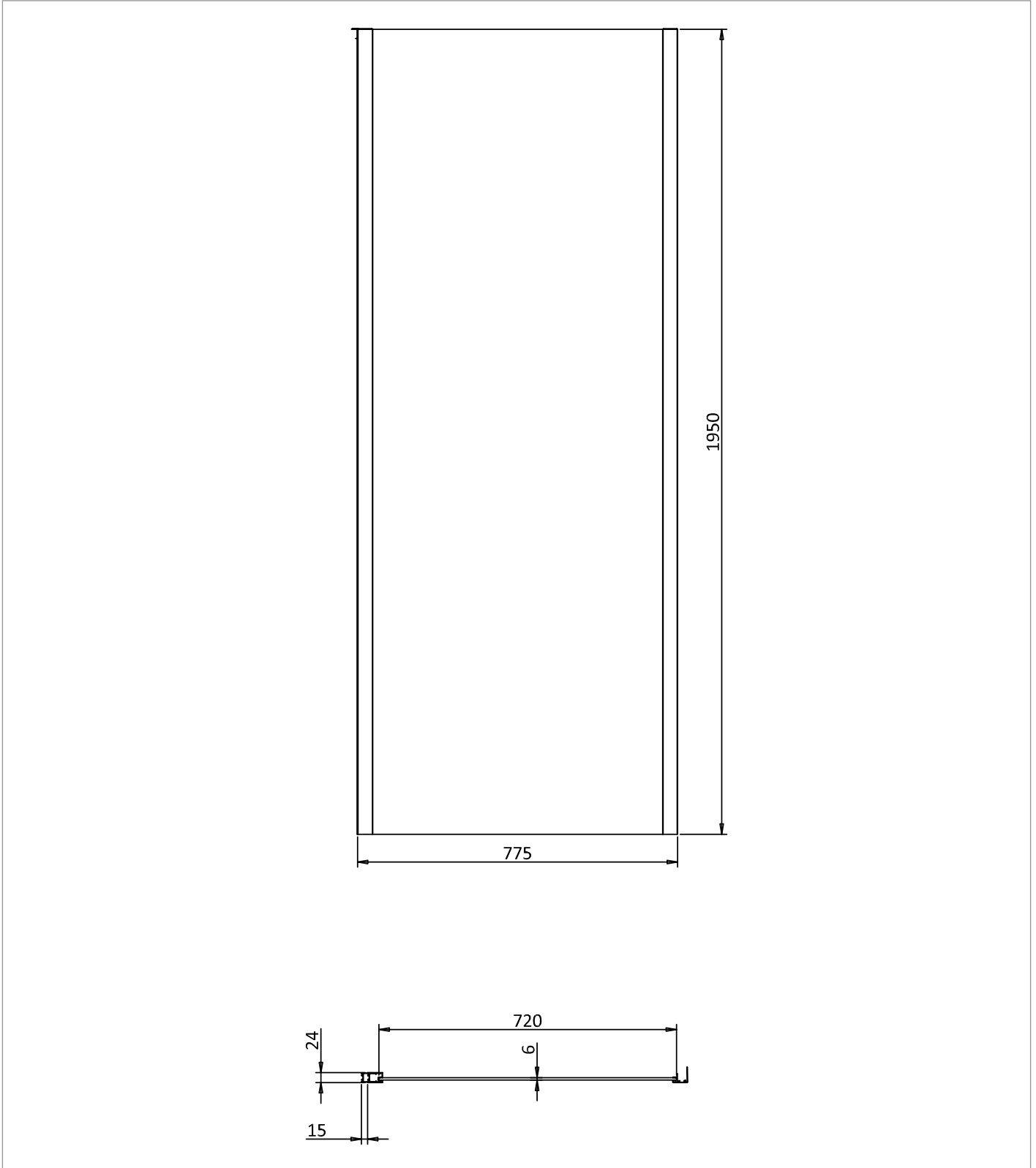
CATEGORY	Showering
WARRANTY DETAILS	Lifetime
COLOUR	Brushed Brass
FINISH APPLICATION	Anodised
PRIMARY MATERIAL	Glass
INSTALL TYPE	Wall Mounted
PRODUCT WIDTH MM	775
PRODUCT HEIGHT MM	1950
PRODUCT NET WEIGHT KG	24
STANDARDS	EN14428

HANDING SHOWERING	Universal
GLASS THICKNESS	6mm
EASY CLEAN	Yes
MAGNETIC DOOR STRIPS	No
POWER SHOWER PROOF	Yes
NUMBER OF DOORS	1
SOFT CLOSING DOORS	No
SAFETY GLASS	Yes
REMOVABLE SEALS	No
QUICK RELEASE ROLLERS	No
WET ROOM COMPATIBLE	Yes
DOOR A INFORMATION	Side panel
DOOR ADJUSTMENT	775-790mm

TECHNICAL DIMENSIONS

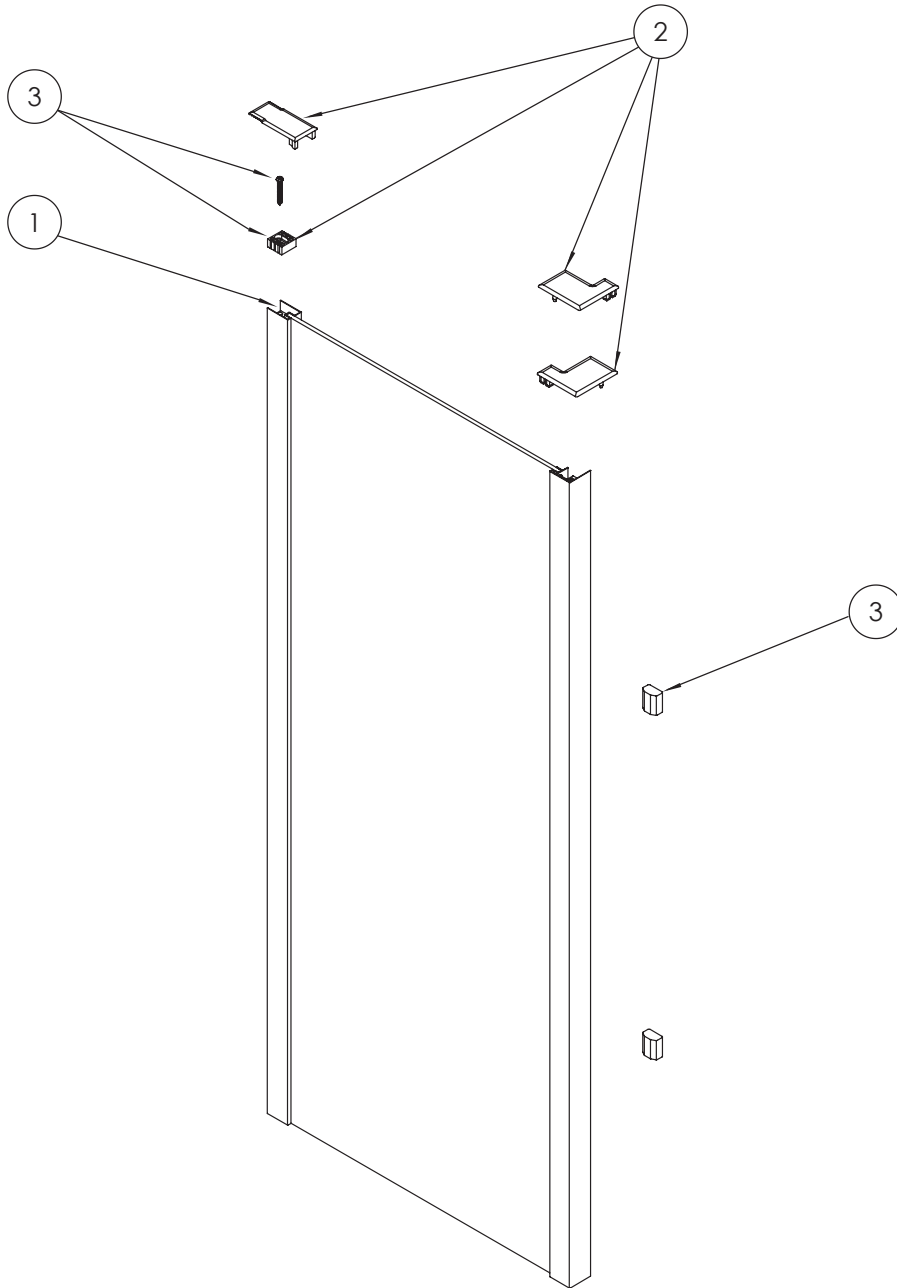
Dimensions in mm unless otherwise specified.

Tolerances (per material type) apply.



SPARES LIST

Only the parts labelled are available as spares.



NUMBER	PART CODE	DESCRIPTION
1	ET0000031	Clear 6 Locking Levers
2	CA600017	Clear Side Panel Parts AB AC AD AE
3	CASIDEPACKF	Clear 6 Install Pack Side Panel Br Brass

PRODUCT DATA SHEET



PRODUCT CODE

CASFBC0900

RANGE

Clear 6

DESCRIPTION

Clear 6 Side Panel 900 Brushed Brass

WEBSITE LINK [Click Here](#)

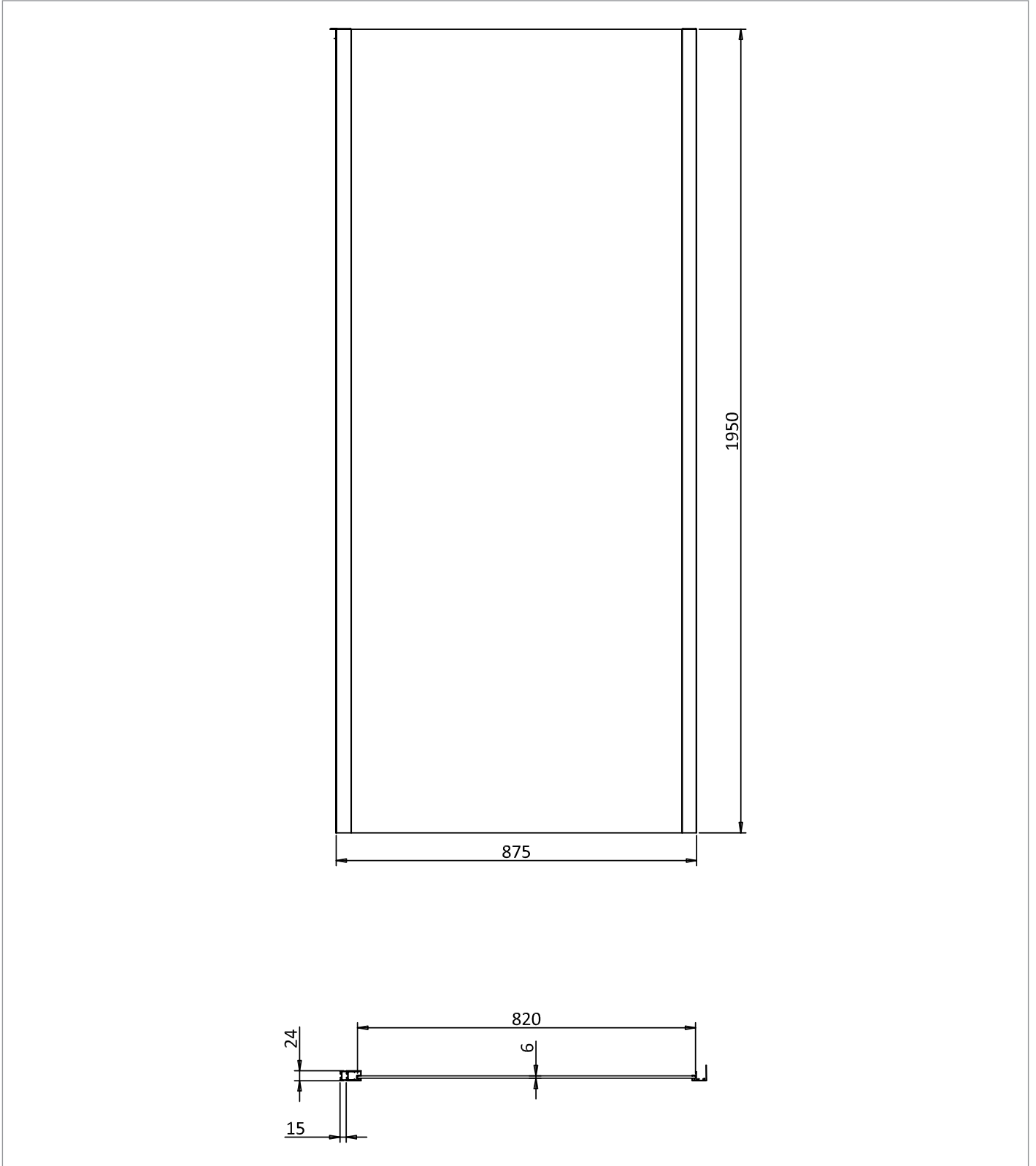
CATEGORY	Showering
WARRANTY DETAILS	Lifetime
COLOUR	Brushed Brass
FINISH APPLICATION	Anodised
PRIMARY MATERIAL	Glass
INSTALL TYPE	Wall Mounted
PRODUCT WIDTH MM	875
PRODUCT HEIGHT MM	1950
PRODUCT NET WEIGHT KG	27
STANDARDS	EN14428

HANDING SHOWERING	Universal
GLASS THICKNESS	6mm
EASY CLEAN	Yes
MAGNETIC DOOR STRIPS	No
POWER SHOWER PROOF	Yes
NUMBER OF DOORS	1
SOFT CLOSING DOORS	No
SAFETY GLASS	Yes
REMOVABLE SEALS	No
QUICK RELEASE ROLLERS	No
WET ROOM COMPATIBLE	Yes
DOOR A INFORMATION	Side panel
DOOR ADJUSTMENT	875-890mm

TECHNICAL DIMENSIONS

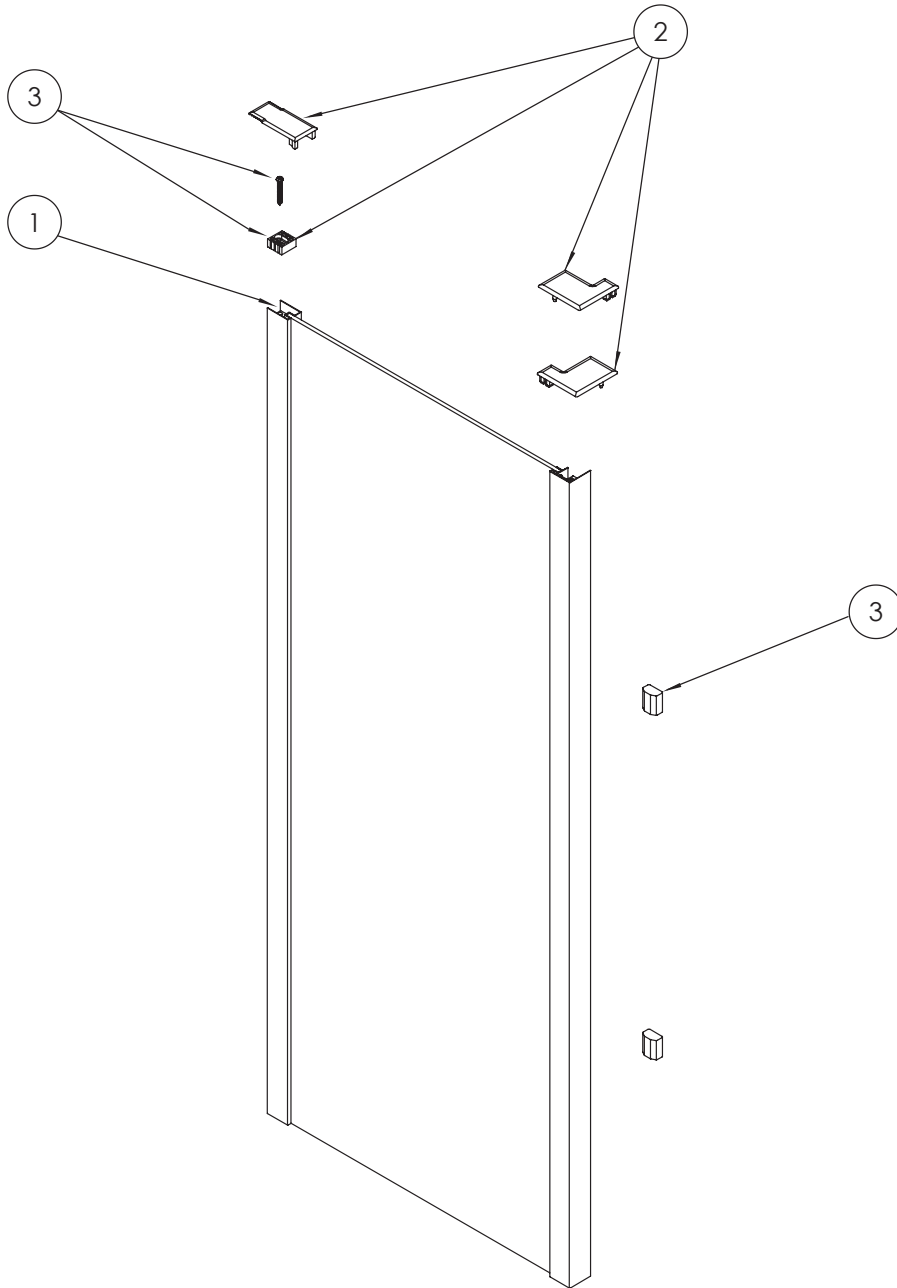
Dimensions in mm unless otherwise specified.

Tolerances (per material type) apply.



SPARES LIST

Only the parts labelled are available as spares.



NUMBER	PART CODE	DESCRIPTION
1	ET0000031	Clear 6 Locking Levers
2	CA600017	Clear Side Panel Parts AB AC AD AE
3	CASIDEPACKF	Clear 6 Install Pack Side Panel Br Brass

PRODUCT DATA SHEET



PRODUCT CODE

CASFBC1000

RANGE

Clear 6

DESCRIPTION

Clear 6 Side Panel 1000 Brushed Brass

WEBSITE LINK [Click Here](#)

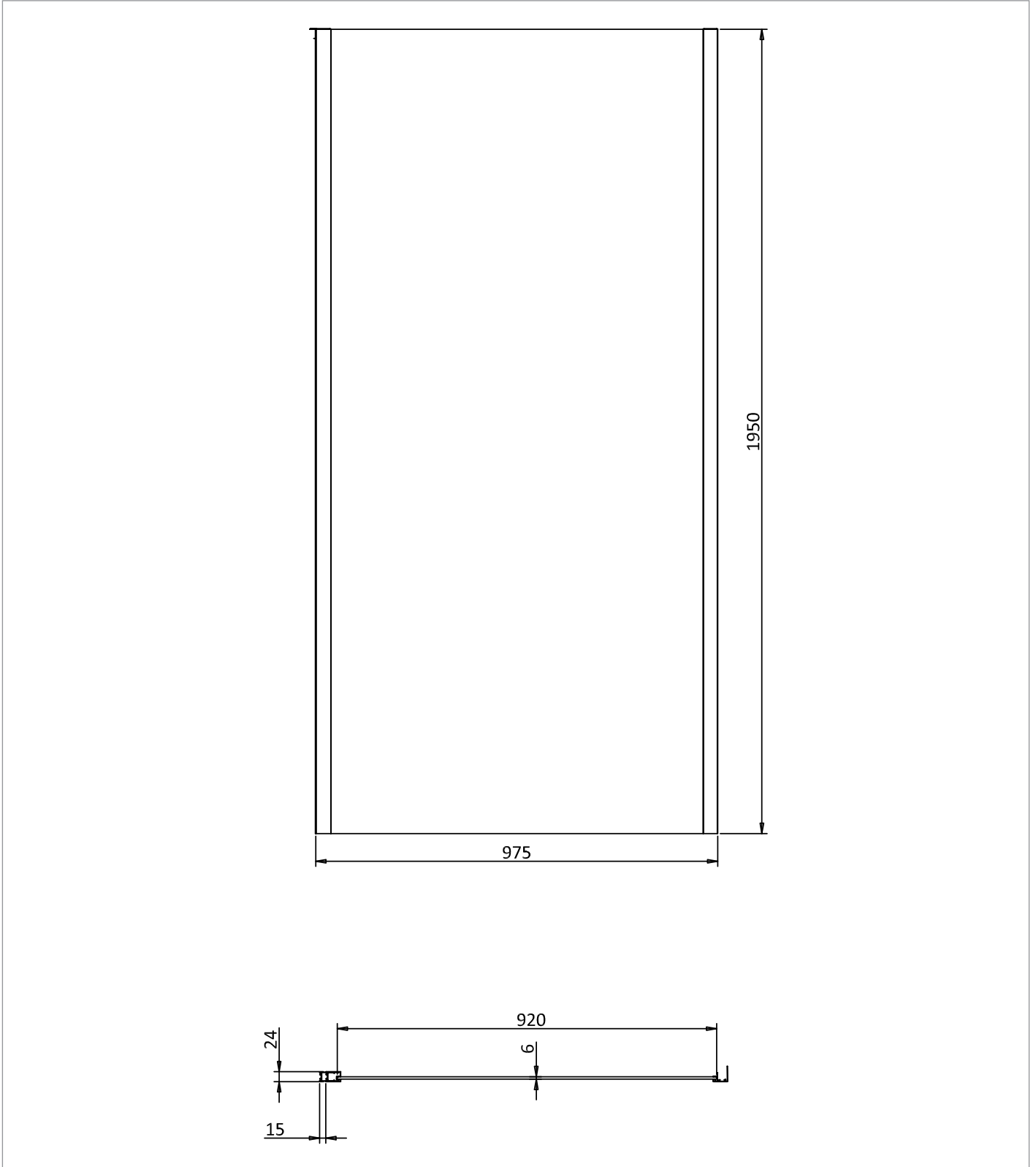
CATEGORY	Showering
WARRANTY DETAILS	Lifetime
COLOUR	Brushed Brass
FINISH APPLICATION	Anodised
PRIMARY MATERIAL	Glass
INSTALL TYPE	Wall Mounted
PRODUCT WIDTH MM	975
PRODUCT HEIGHT MM	1950
PRODUCT NET WEIGHT KG	31
STANDARDS	EN14428

HANDING SHOWERING	Universal
GLASS THICKNESS	6mm
EASY CLEAN	Yes
MAGNETIC DOOR STRIPS	No
POWER SHOWER PROOF	Yes
NUMBER OF DOORS	1
SOFT CLOSING DOORS	No
SAFETY GLASS	Yes
REMOVABLE SEALS	No
QUICK RELEASE ROLLERS	No
WET ROOM COMPATIBLE	Yes
DOOR A INFORMATION	Side panel
DOOR ADJUSTMENT	975-990mm

TECHNICAL DIMENSIONS

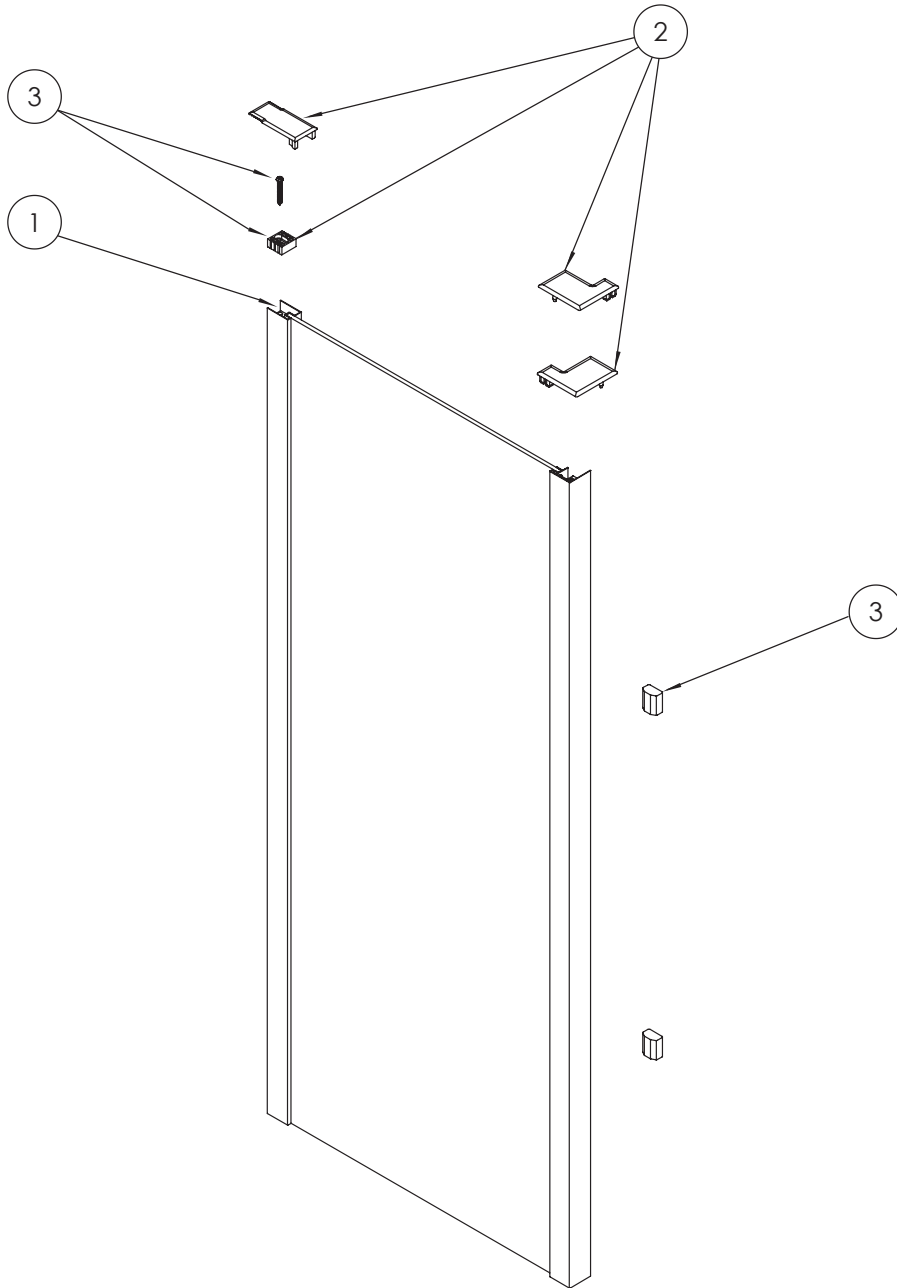
Dimensions in mm unless otherwise specified.

Tolerances (per material type) apply.



SPARES LIST

Only the parts labelled are available as spares.



NUMBER	PART CODE	DESCRIPTION
1	ET0000031	Clear 6 Locking Levers
2	CA600017	Clear Side Panel Parts AB AC AD AE
3	CASIDEPACKF	Clear 6 Install Pack Side Panel Br Brass