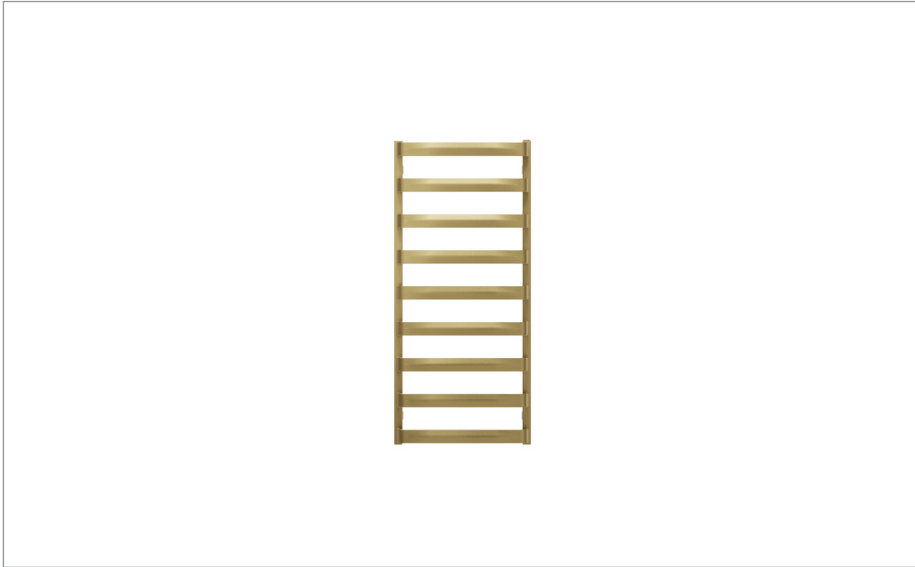


PRODUCT DATA SHEET



PRODUCT CODE

AR50X1150F

RANGE

Air

DESCRIPTION

Air Towel Warmer 500x1100 Brushed Brass

WEBSITE LINK [Click Here](#)

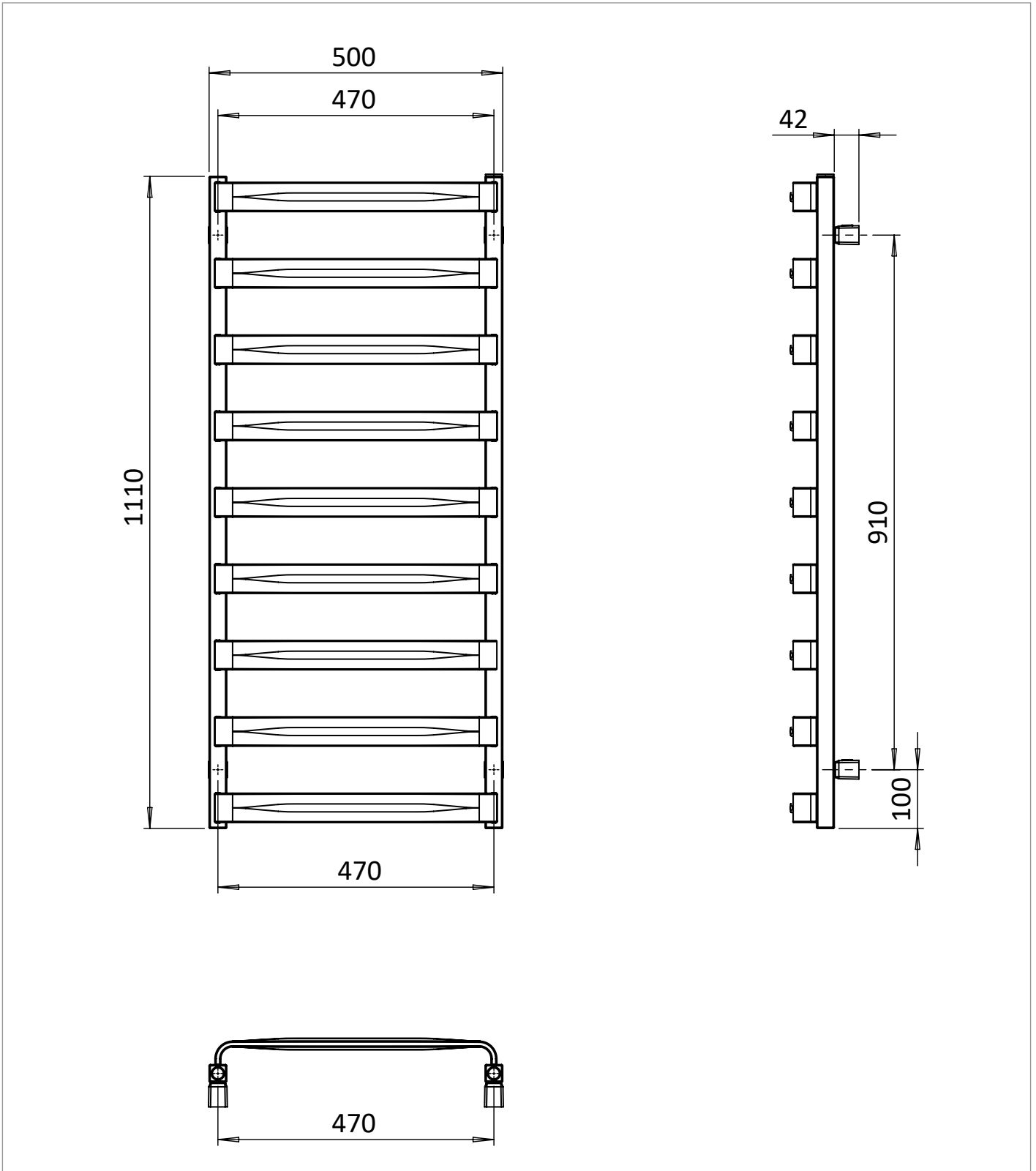
CATEGORY	Heating
WARRANTY DETAILS	15 Years
COLOUR	Brushed Brass
FINISH APPLICATION	Lacquered
PRIMARY MATERIAL	Steel
INSTALL TYPE	Wall Mounted
PRODUCT WIDTH MM	500
PRODUCT HEIGHT MM	1110
PRODUCT DEPTH MM	80
PRODUCT NET WEIGHT KG	14.82
STANDARDS	BS EN 442-1:2014

INLET CONNECTIONS THREAD HEATING	1/2" BSP
OUTPUT (WATTS)	452
MAX WORKING TEMPERATURE °C	95
FUEL TYPE	Dual
MAX WORKING PRESSURE (BAR)	600
BAR COUNT	9
OUTPUT (BTU ΔT=50)	1542
CUBIC CAPACITY (L)	3.16
FULLY FILLED WEIGHT (KG)	14.82

TECHNICAL DIMENSIONS

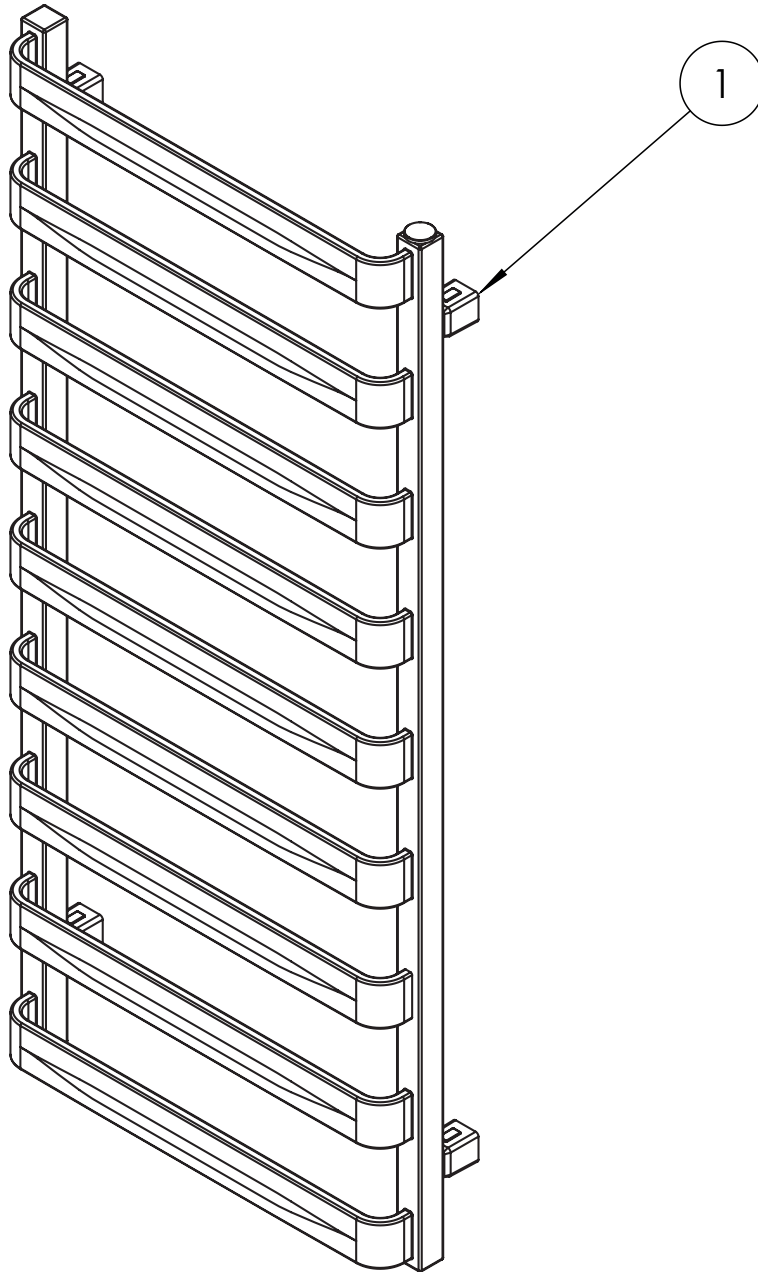
Dimensions in mm unless otherwise specified.

Tolerances (per material type) apply.



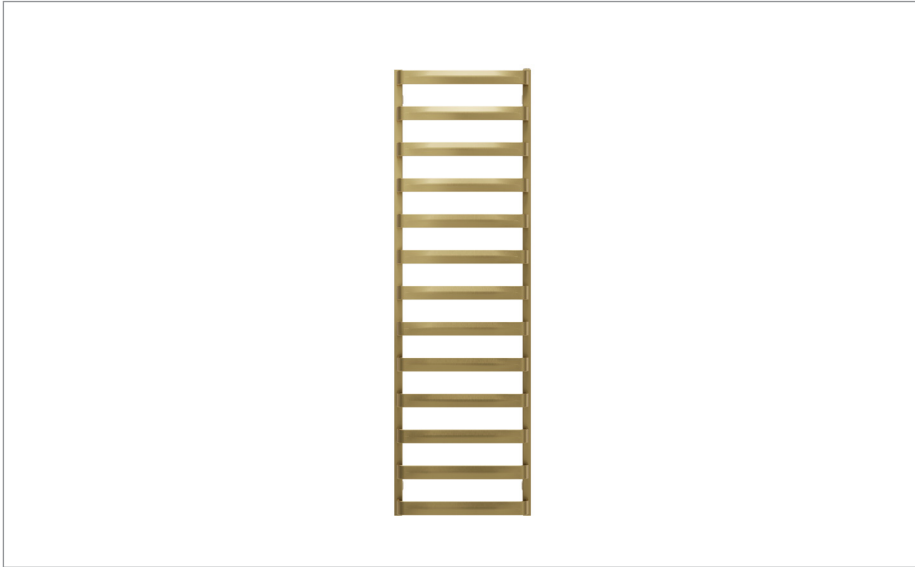
SPARES LIST

Only the parts labelled are available as spares.



NUMBER	PART CODE	DESCRIPTION
1	WRKMKP001-KRBA	Air Towel Warmer Fixing Kit Brushed Brass

PRODUCT DATA SHEET



PRODUCT CODE

AR50X1630F

RANGE

Air

DESCRIPTION

Air Towel Warmer 500x1630 Brushed Brass

WEBSITE LINK [Click Here](#)

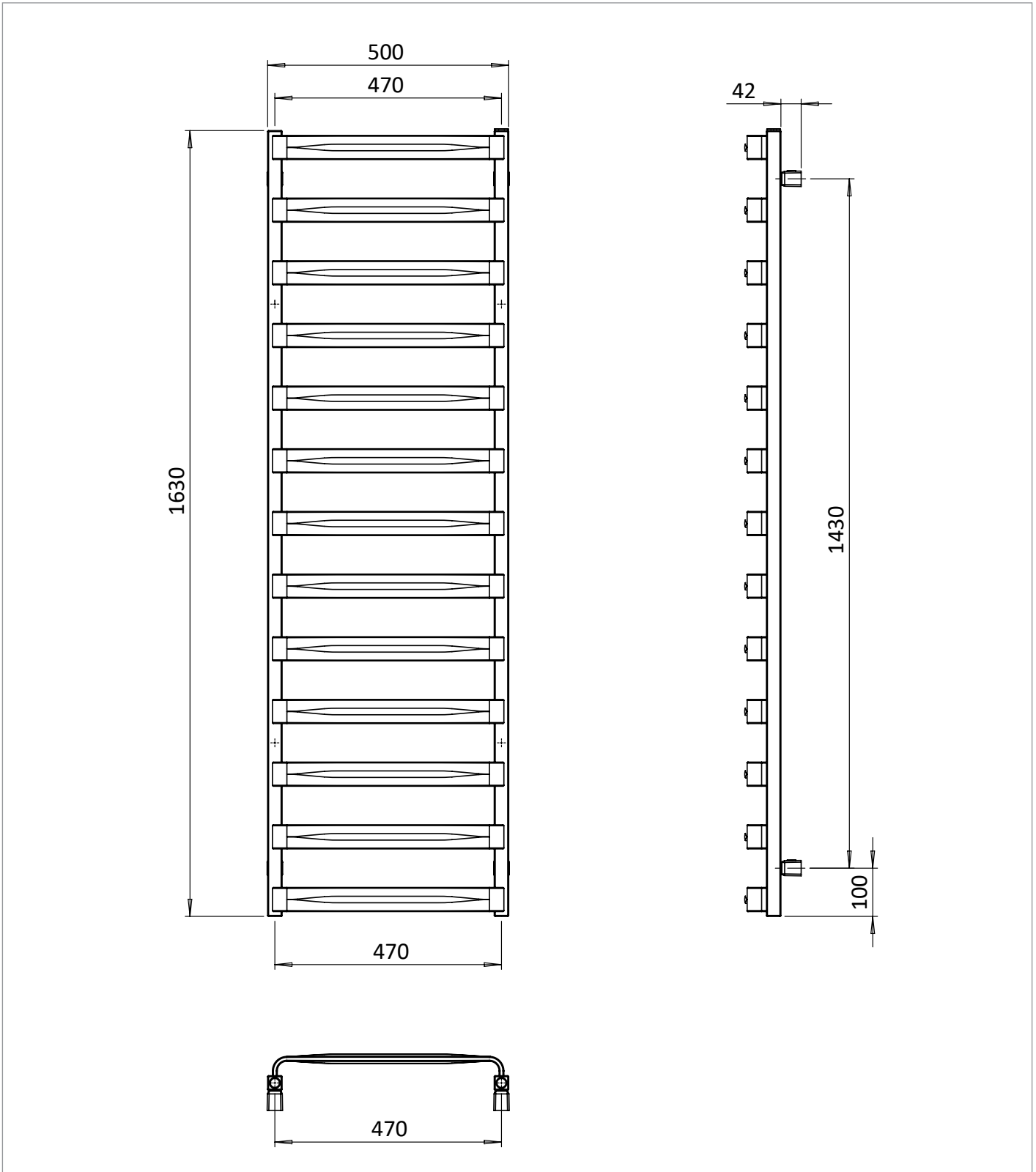
CATEGORY	Heating
WARRANTY DETAILS	15 Years
COLOUR	Brushed Brass
FINISH APPLICATION	Lacquered
PRIMARY MATERIAL	Steel
INSTALL TYPE	Wall Mounted
PRODUCT WIDTH MM	500
PRODUCT HEIGHT MM	1630
PRODUCT DEPTH MM	80
PRODUCT NET WEIGHT KG	21.32
STANDARDS	BS EN 442-1:2014

INLET CONNECTIONS THREAD HEATING	1/2" BSP
OUTPUT (WATTS)	653
MAX WORKING TEMPERATURE °C	95
FUEL TYPE	Dual
MAX WORKING PRESSURE (BAR)	600
BAR COUNT	13
OUTPUT (BTU ΔT=50)	2228
CUBIC CAPACITY (L)	4.6
FULLY FILLED WEIGHT (KG)	21.32

TECHNICAL DIMENSIONS

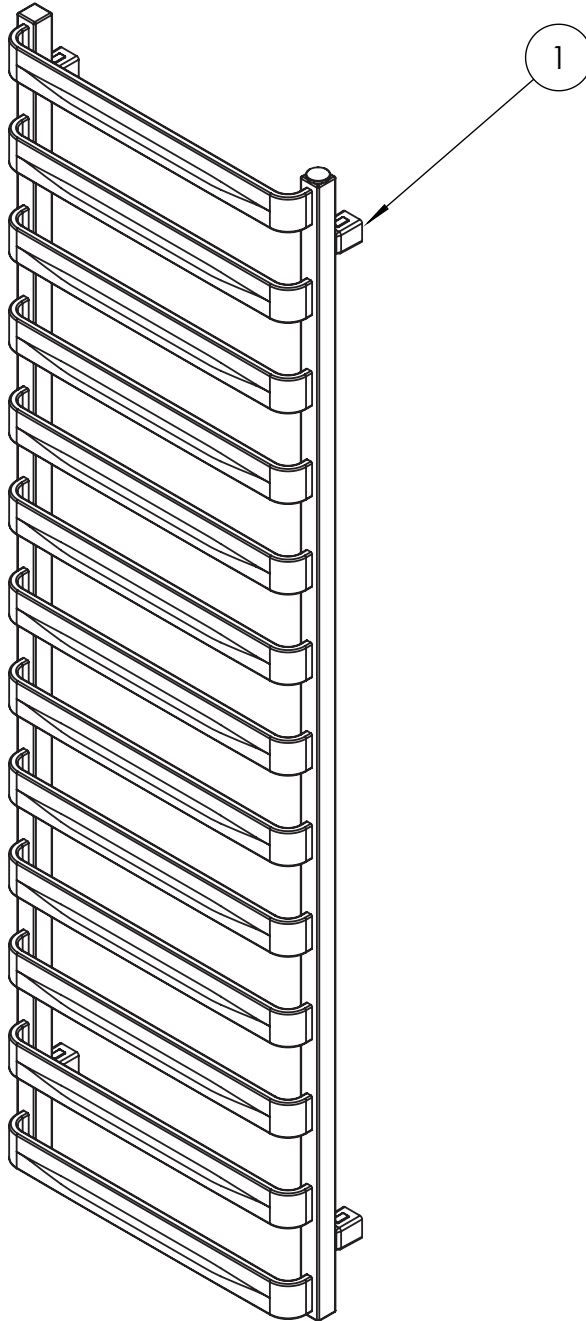
Dimensions in mm unless otherwise specified.

Tolerances (per material type) apply.



SPARES LIST

Only the parts labelled are available as spares.



NUMBER	PART CODE	DESCRIPTION
1	WRKMKP001-KRBA	Air Towel Warmer Fixing Kit Brushed Brass

PRODUCT DATA SHEET



PRODUCT CODE

ELE400F

RANGE

Element

DESCRIPTION

Element 400W Brushed Brass

WEBSITE LINK [Click Here](#)

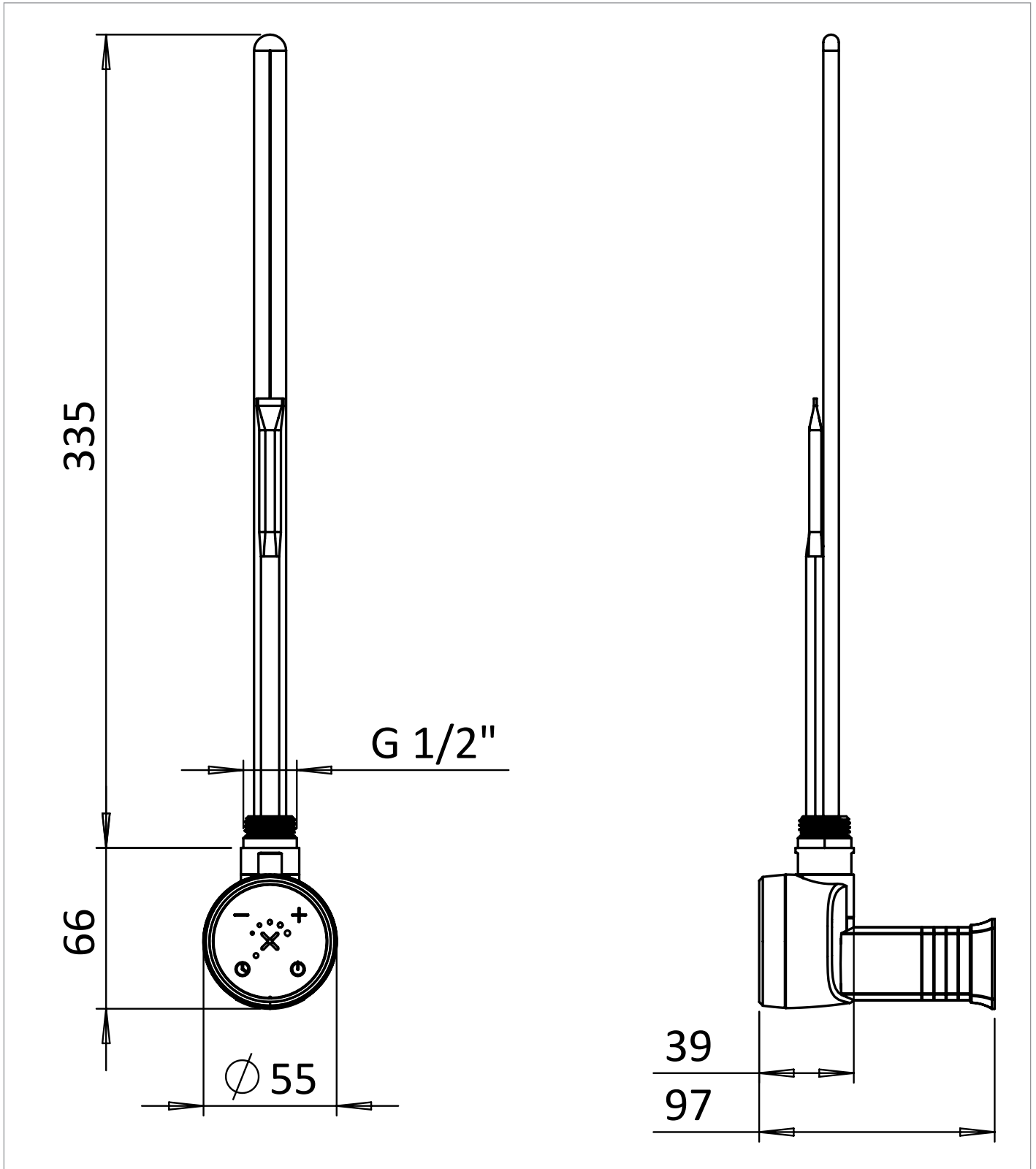
CATEGORY	Heating
WARRANTY DETAILS	2 Years
COLOUR	Brushed Brass
FINISH APPLICATION	Lacquered
PRIMARY MATERIAL	ABS
PRODUCT WIDTH MM	55
PRODUCT LENGTH MM	401
PRODUCT DEPTH MM	97
PRODUCT NET WEIGHT KG	0.31
STANDARDS	BS EN 60335-1:2012

OUTPUT (WATTS)	400
IP RATING HEATING	IPx5
CUT OUT TEMPERATURE (DEGREES)	65
OUTPUT (BTU ΔT=50)	1364.85
FULLY FILLED WEIGHT (KG)	0.31

TECHNICAL DIMENSIONS

Dimensions in mm unless otherwise specified.

Tolerances (per material type) apply.



SPARES LIST

Only the parts labelled are available as spares.

NO SPARES AVAILABLE

PRODUCT DATA SHEET



PRODUCT CODE

ELE600F

RANGE

Element

DESCRIPTION

Element 600W Brushed Brass

WEBSITE LINK [Click Here](#)

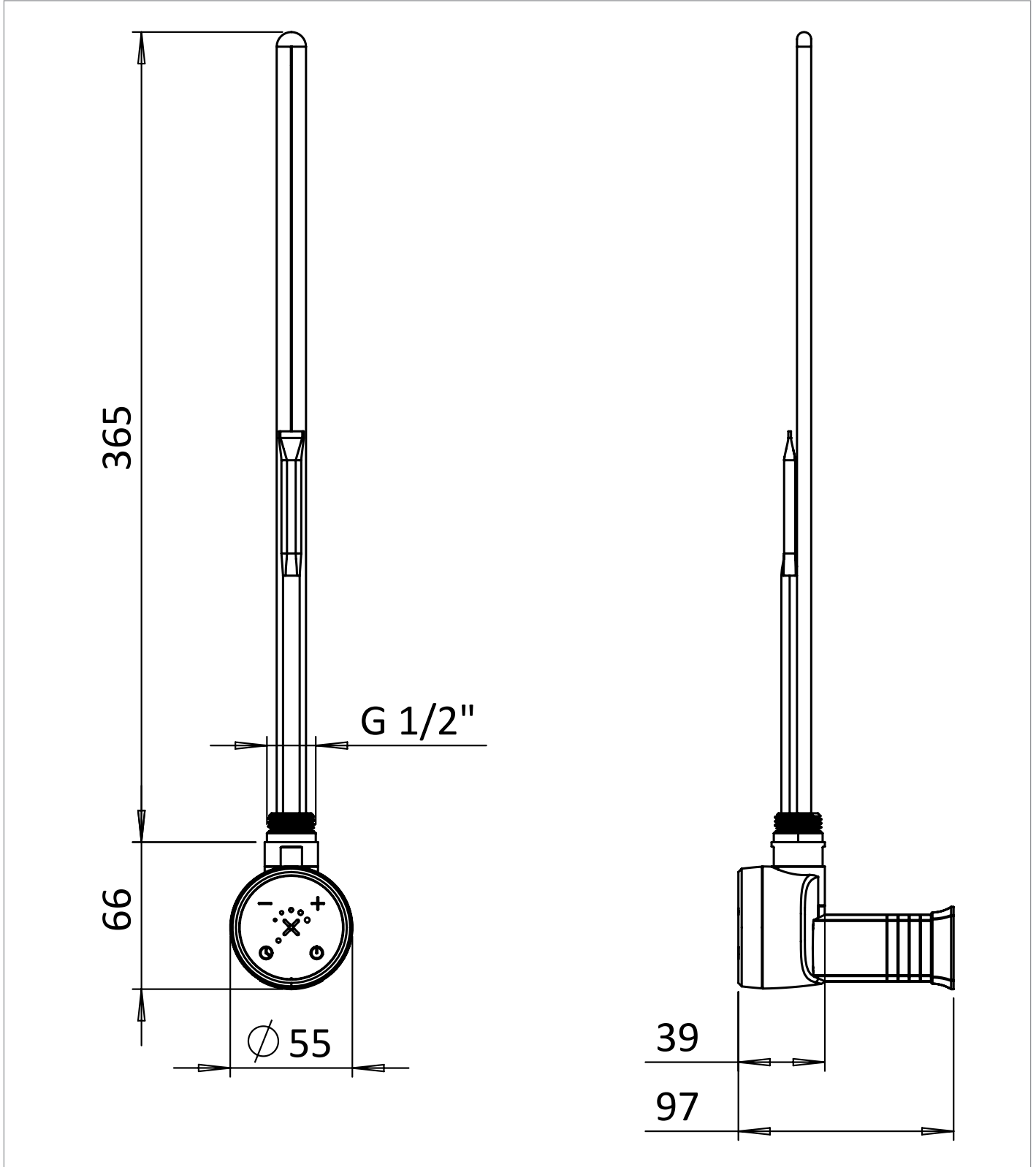
CATEGORY	Heating
WARRANTY DETAILS	2 Years
COLOUR	Brushed Brass
FINISH APPLICATION	Lacquered
PRIMARY MATERIAL	ABS
PRODUCT WIDTH MM	431
PRODUCT HEIGHT MM	431
PRODUCT DEPTH MM	55
PRODUCT NET WEIGHT KG	0.31
STANDARDS	BS EN 60335-1:2012

OUTPUT (WATTS)	600
IP RATING HEATING	IPx5
CUT OUT TEMPERATURE (DEGREES)	65
OUTPUT (BTU ΔT=50)	2047.28
FULLY FILLED WEIGHT (KG)	0.31

TECHNICAL DIMENSIONS

Dimensions in mm unless otherwise specified.

Tolerances (per material type) apply.



SPARES LIST

Only the parts labelled are available as spares.

NO SPARES AVAILABLE