

PRODUCT DATA SHEET



PRODUCT CODE

LA110DNM

RANGE

Lazo

DESCRIPTION

Lazo Basin Monobloc Matt Black

WEBSITE LINK [Click Here](#)

CATEGORY	Brassware
WARRANTY DETAILS	15 Years
COLOUR	Matt Black
FINISH APPLICATION	Immersion Plating
PRIMARY MATERIAL	Brass
INSTALL TYPE	Deck Mounted
PRODUCT WIDTH MM	45
PRODUCT HEIGHT MM	160
PRODUCT DEPTH MM	158
PRODUCT NET WEIGHT KG	0.83
STANDARDS	BS EN 817:2008

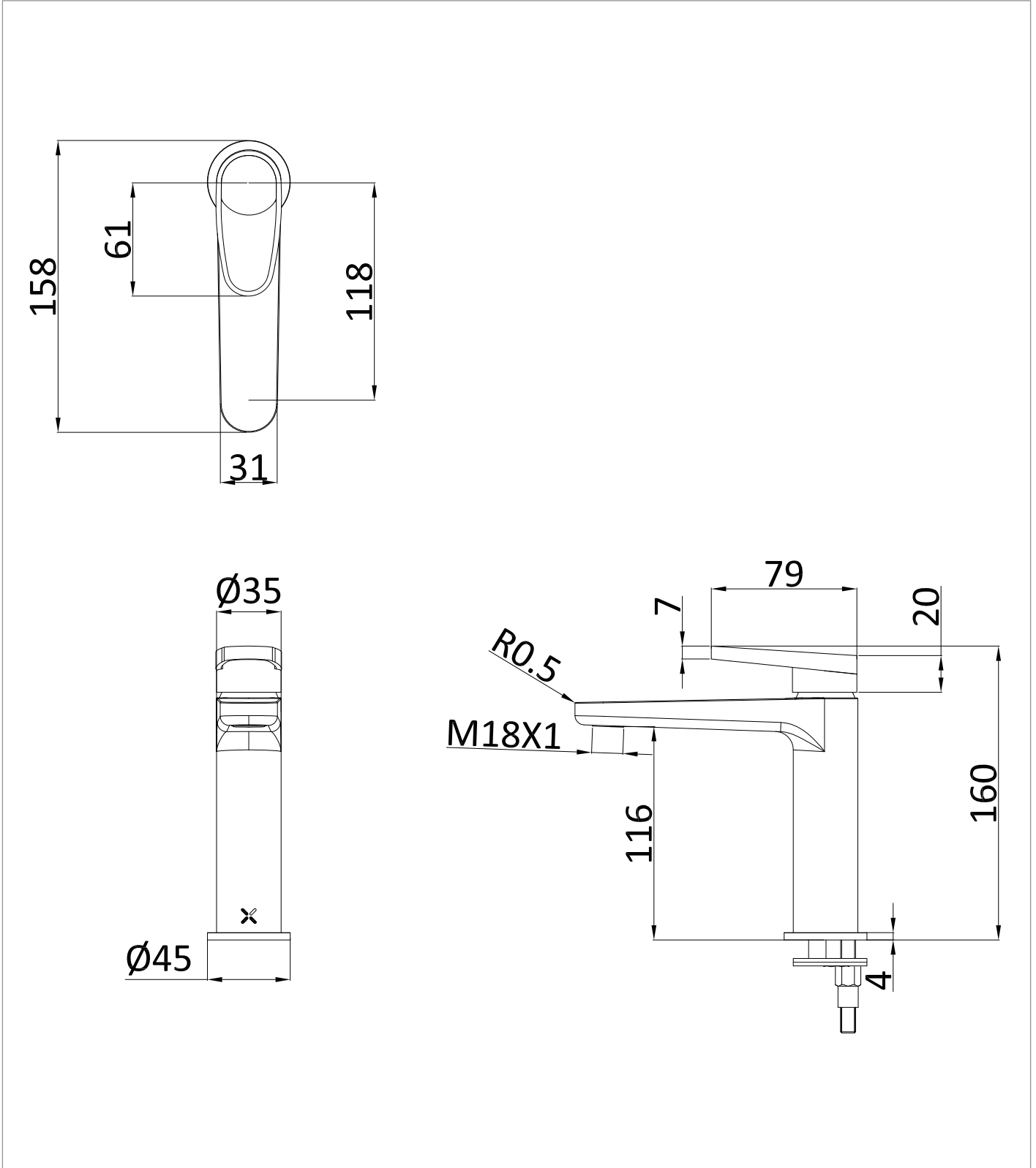
MINIMUM PRESSURE (BAR)	1
MAX WORKING PRESSURE (BAR)	5
HEADWORK	25mm Single lever ceramic cartridge
SPOUT PROJECTION	118
SWIVEL SPOUT	No
INLET CONNECTIONS THREAD	G1/2"
FLOW REGULATOR	Slim Honeycomb M18x1
WASTE INCLUDED	No
ANTI-SCALD	No
ENERGY SAVING	No
SHOWER HOSE & HANDSET ARE INCLUDED	No

PRESSURE (BAR)	0.2	0.5	1	2	3	4	5
PRIMARY FLOWRATE			3.47	4.56	5.01	5.34	5.48
HANDSET FLOWRATE							
MESSAGE FLOW RATE							
AIR FLOW RATE							
WIRE FLOW RATE							
WATERFALL FLOW RATE							
MIST FLOW RATE							
HANDSPRAY FLOW RATE							

TECHNICAL DIMENSIONS

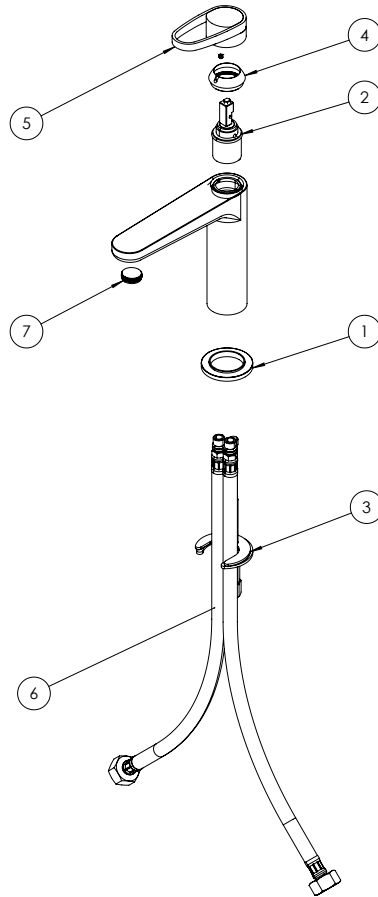
Dimensions in mm unless otherwise specified.

Tolerances (per material type) apply.



SPARES LIST

Only the parts labelled are available as spares.



NUMBER	PART CODE	DESCRIPTION
1	LA110BASEC	Base ring chrome for LA110, LA112
	LA110BASEF	Base ring brushed brass for LA110, LA112
	LA110BASEM	Base ring matt black for LA110, LA112
2	LA110CART	Cartridge for LA110, LA112
3	LA110CLAMPING	Clamping Set for LA110, LA112
4	LA110COVERC	Cartridge cover chrome for LA110, LA112, LA120
	LA110COVERF	Cartridge cover brushed brass for LA110, LA112, LA120
	LA110COVERM	Cartridge cover matt black for LA110, LA112, LA120
5	LA110HANDLEC	Tap handle Assembly chrome for LA110, LA112
	LA110HANDLEF	Tap handle Assembly brushed brass for LA110, LA112
	LA110HANDLEM	Tap handle Assembly matt black for LA110, LA112
6	LA110HOSE	Flexibile hoses with flow regulator for LA110
7	LAAERATOR	Aerator for basin tap for LA110, LA112, LA120, LA130, LA135