

PRODUCT DATA SHEET



PRODUCT CODE

LI110DNM

RANGE

Limit

DESCRIPTION

Limit Basin Monobloc Matt Black

WEBSITE LINK [Click Here](#)

CATEGORY	Brassware
WARRANTY DETAILS	15 Years
COLOUR	Matt Black
FINISH APPLICATION	Electroplated
PRIMARY MATERIAL	Brass
INSTALL TYPE	Basin Mounted
PRODUCT WIDTH MM	50
PRODUCT HEIGHT MM	143.6
PRODUCT DEPTH MM	189
PRODUCT NET WEIGHT KG	1.5
STANDARDS	BS EN 200:2008

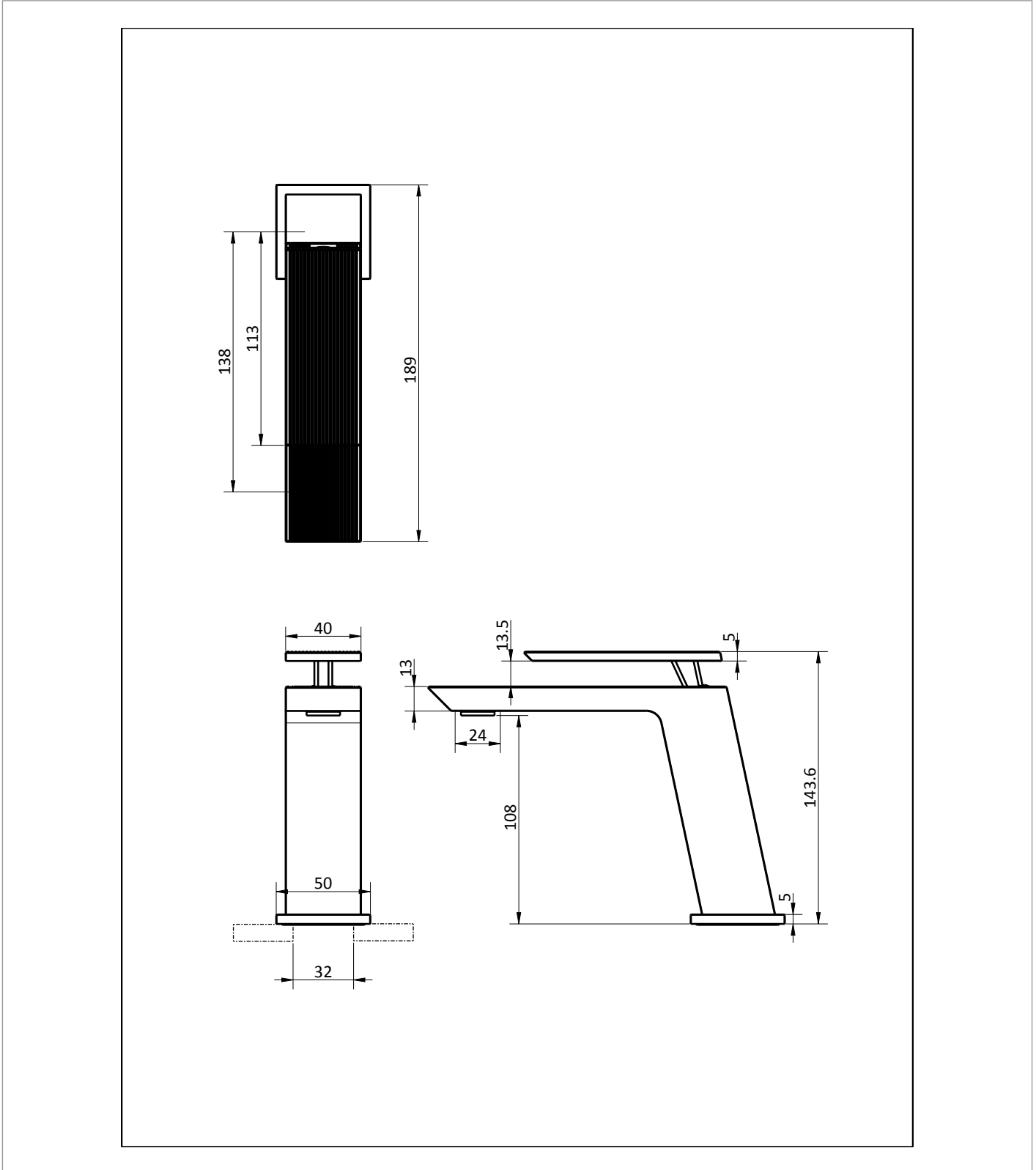
MINIMUM PRESSURE (BAR)	1
MAX WORKING PRESSURE (BAR)	5
HEADWORK	35mm Single lever ceramic cartridge
SPOUT PROJECTION	138
SWIVEL SPOUT	No
INLET CONNECTIONS THREAD	G1/2"
FLOW REGULATOR	Cache
WASTE INCLUDED	No
ANTI-SCALD	No
ENERGY SAVING	No
SHOWER HOSE & HANDSET ARE INCLUDED	No

PRESSURE (BAR)	0.2	0.5	1	2	3	4	5
PRIMARY FLOWRATE			3.24	4.61	5.42	5.54	6.05
HANDSET FLOWRATE							
MESSAGE FLOW RATE							
AIR FLOW RATE							
WIRE FLOW RATE							
WATERFALL FLOW RATE							
MIST FLOW RATE							
HANDSPRAY FLOW RATE							

TECHNICAL DIMENSIONS

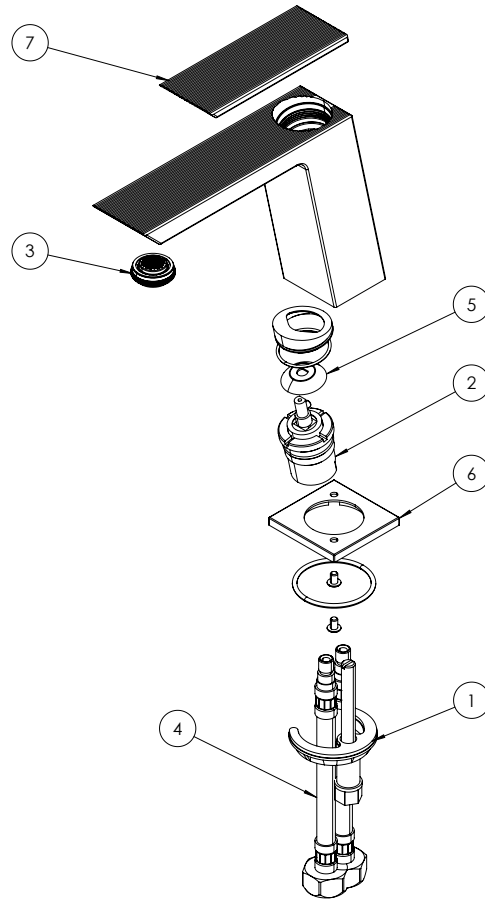
Dimensions in mm unless otherwise specified.

Tolerances (per material type) apply.



SPARES LIST

Only the parts labelled are available as spares.



NUMBER	PART CODE	DESCRIPTION
1	721000	Limit 110 & 112 Clamping Set
2	810170	Limit 110 & 112 Cartridge
3	821401	Limit 110/112/130/135 Aerator
4	834200	Limit 110 & 112 Flexible Tails
5	723603C	Limit 110 & 112 Cartridge Cover Chrome
	723603F	Limit 110 & 112 Cartridge Cover Brushed Brass
	723603M	Limit 110 & 112 Cartridge Cover Matt Black
6	932601C	Limit 110 & 112 Base Plate Chrome
	932601F	Limit 110 & 112 Base Plate Brushed Brass
	932601M	Limit 110 & 112 Base Plate Matt Black
7	957501C	Limit 110 & 112 Lever Chrome
	957501F	Limit 110 & 112 Lever Brushed Brass
	957501M	Limit 110 & 112 Lever Matt Black