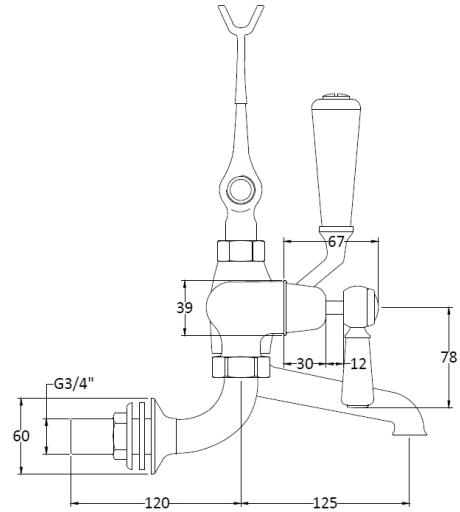
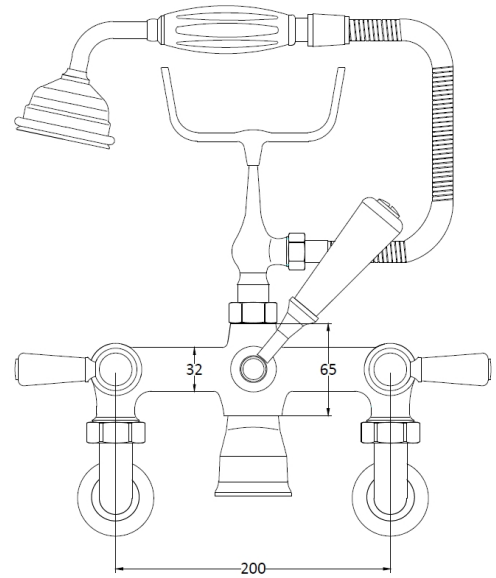


CUSTOMER SPECIFICATION SHEET - BRASSWARE

SALES CODE: CTB121

DESCRIPTION: Victrion Wall Mounted Bath Shower Mixer



PRODUCT DIMENSIONS

Height (mm)	Width (mm)	Depth (mm)	Length (mm)	Nett Wgt Kg
320	350	155		4.7

PACKAGING DIMENSIONS

Height (mm)	Width (mm)	Depth (mm)	Gross Wgt Kg
150	232	330	4.9

PACKAGING DATA

Box Colour	White Cardboard Box		
Box Qty	1	Label Colour	White Label
Label Size	100 X 50	Label Qty	1

OUTER BOX DIMENSIONS (If Applicable)

Height (mm)	Width (mm)	Depth (mm)	Length (mm)	Gross Wgt Kg
Barcode				

PRODUCT DETAILS

Country of Origin	United Kingdom		
Fitting Instruction	Yes		
Product Material	Brass		
Control Type	Manual		
Waste Included	Waste Not Included		
WRAS Approval	No	Approval No.	N/A
Operating Pressure (bar)	0.2		
Valve/Cartridge Type	1/4 Turn Ceramic Disc		

Colour/Finish	Chrome									
Mount Type	Wall									
Waste Type	Not Applicable									
Flow Rates (Litres Per Min)	0.1 bar	10.6	0.5 bar	28.6	1 bar	41.4	2 bar	59	3 bar	72.8
Pipe Size	22 mm (3/4" Bsp)									
Pipe Centres	N/A									