

### Specification

|  |                                   |
|--|-----------------------------------|
| <b>Product Type:</b>                     | Bathroom Tap                      |
| <b>Main Construction Material:</b>       | Brass                             |
| <b>Mount Type:</b>                       | Wall                              |
| <b>Handle Type:</b>                      | Cross Head                        |
| <b>Connection Inlet:</b>                 | 15mm Compression                  |
| <b>Connection Outlet:</b>                | 5lpm Coin Slot Aerator            |
| <b>Number of Tap Holes:</b>              | 3                                 |
| <b>Valve/Cartridge Type:</b>             | 1/2 inch Ceramic Disc Valve       |
| <b>Plumbing System Requirements:</b>     | Suitable for all plumbing systems |
| <b>Minimum Dynamic Pressure (bar):</b>   | 0.5 bar                           |
| <b>Maximum Dynamic Pressure (bar):</b>   | 5 bar                             |
| <b>Maximum Hot Water Temperature °C:</b> | 65°C                              |
| <b>Maximum Static Pressure (bar):</b>    | 10 bar                            |
| <b>Flow Type:</b>                        | Single Flow                       |
| <b>Isolation Included:</b>               | No                                |

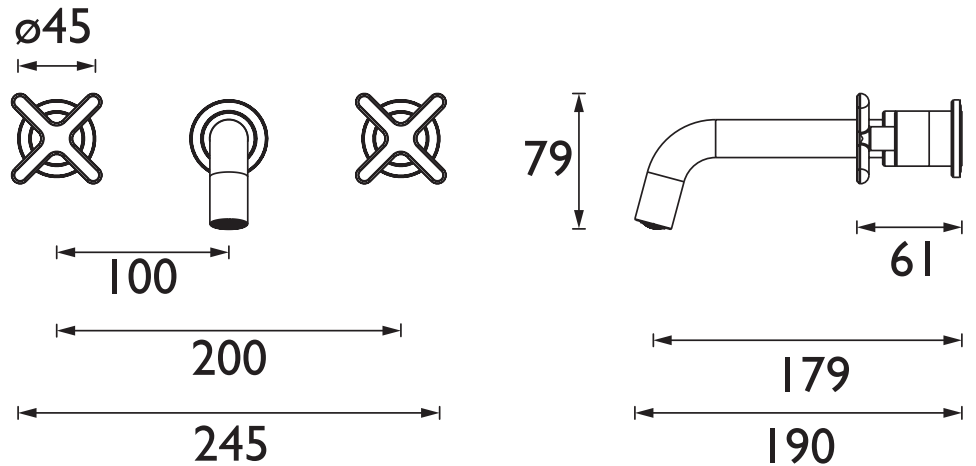
### Features:

- Compatible with low pressure water systems, optimised for UK market
- Quarter turn ceramic discs - for smooth operation and added durability
- Available in a selection of finishes

### Product Certifications:



### Dimensions (measurements in mm)



### Additional Information:

### Flow Rates (l/min)

| System Pressure (bar) | 0.5 | 1 | 2 | 3 | 4 | 5 |
|-----------------------|-----|---|---|---|---|---|
| TSACBL10 (mixed)      | 5   | 5 | 5 | 5 | 5 | 5 |