

Specification

Product Type:	Bathroom Taps
Main Construction Material:	Brass
Mount Type:	Wall
Handle Type:	Cross Head
Connection Inlet:	15mm Compression
Connection Outlet:	5lpm Coin Slot Aerator
Number of Tap Holes:	3
Valve/Cartridge Type:	1/2 inch Ceramic Disc Valve
Plumbing System Requirements:	Suitable for all plumbing systems
Minimum Dynamic Pressure (bar):	0.5 bar
Maximum Dynamic Pressure (bar):	5 bar
Maximum Hot Water Temperature °C:	65°C
Maximum Static Pressure (bar):	10 bar
Flow Type:	Single Flow
Isolation Included:	No

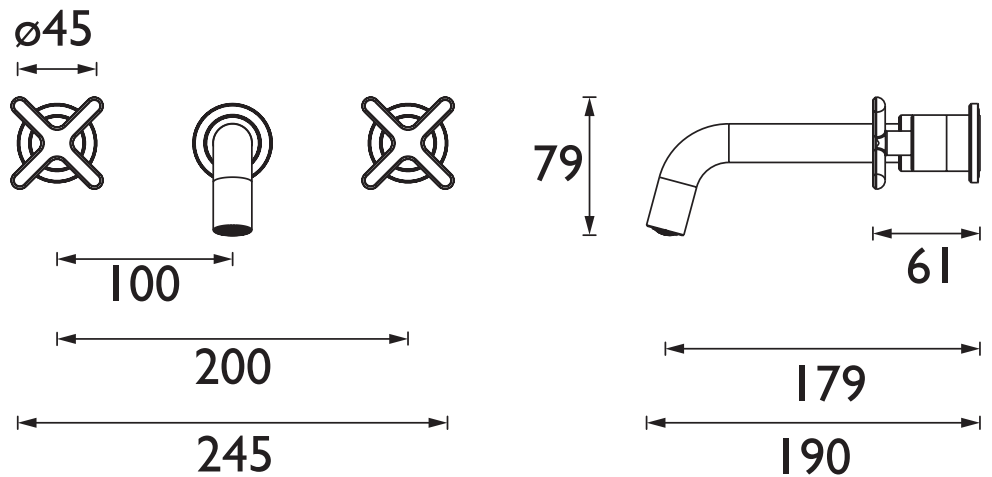
Features:

- Compatible with low pressure water systems, optimised for UK market
- Quarter turn ceramic discs - for smooth operation and added durability
- Available in a selection of finishes

Product Certifications:



Dimensions (measurements in mm)



Flow Rates (l/min)

System Pressure (bar)	0.5	0.5	1	2	3	5
TSACCI0 (mixed)	5	5	5	5	5	5