



Specification

Product Type:	Bathroom Taps
Main Construction Material:	Brass
Mount Type:	Deck Mounted
Handle Type:	Crosshead Handles
Connection Inlet:	15mm Flexible Tails
Connection Outlet:	Open
Number of Tap Holes:	3
Valve/Cartridge Type:	3/4in Long Stem Ceramic Disc Valves
Plumbing System Requirements:	Suitable for all plumbing systems
Minimum Dynamic Pressure (bar):	0.2 bar
Maximum Dynamic Pressure (bar):	5.0 bar
Maximum Hot Water Temperature °C:	65°C
Maximum Static Pressure (bar):	10 bar
Flow Type:	Single Flow
Isolation Included:	No

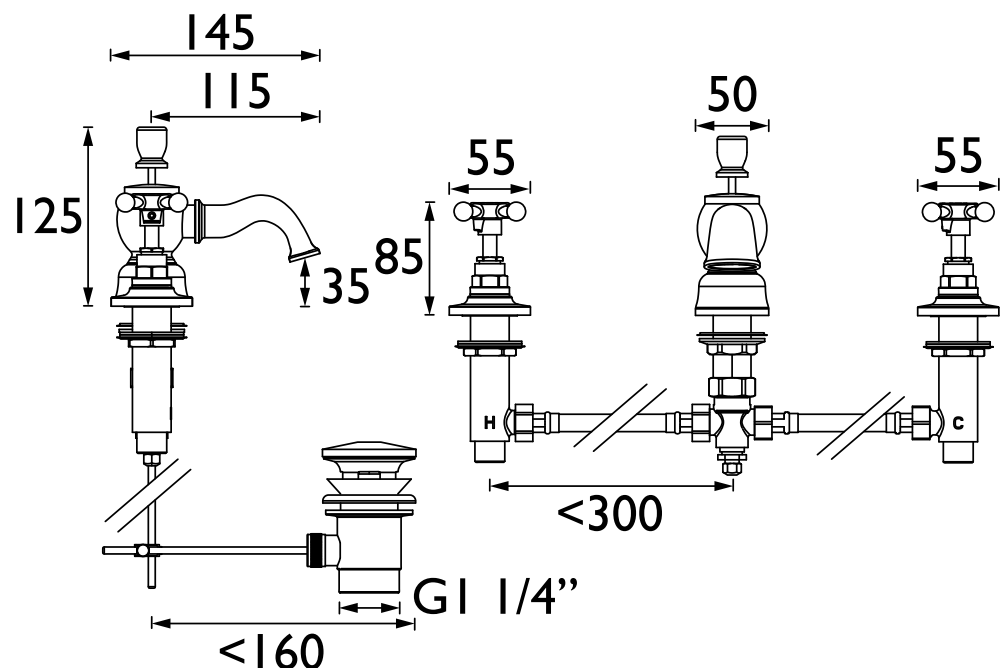
Features:

- Uniquely designed Timeless detailing for traditional bathrooms.
- Hand-finished handles using precision watchmaker techniques.
- Metal fixing nut for added durability

Product Certifications:



Dimensions (measurements in mm)



Flow Rates (l/min)

System Pressure (bar)	0.2	0.5	1	2	3	5
TTRCC06 (mixed)	9.5	16	23	32.8	40.2	52.1
TTRCC06 (Hot)	5.82	9.24	13.2	18.78	23.1	29.9
TTRCC06 (Cold)	5.64	8.96	12.86	18.14	22.84	29.42