



Specification

Product Type:	Bathroom Tap
Main Construction Material:	Brass
Mount Type:	Deck
Handle Type:	Lever
Connection Inlet:	1/2" BSP
Connection Outlet:	M18 Aerator 5lpm Flow Limiter
Number of Tap Holes:	2
Valve/Cartridge Type:	1/2" Ceramic Disc Valve
Plumbing System Requirements:	Suitable for all plumbing systems
Minimum Dynamic Pressure (bar):	0.5 bar
Maximum Dynamic Pressure (bar):	5.0 bar
Maximum Hot Water Temperature °C:	65 °C
Maximum Static Pressure (bar):	10 bar
Isolation Included:	No

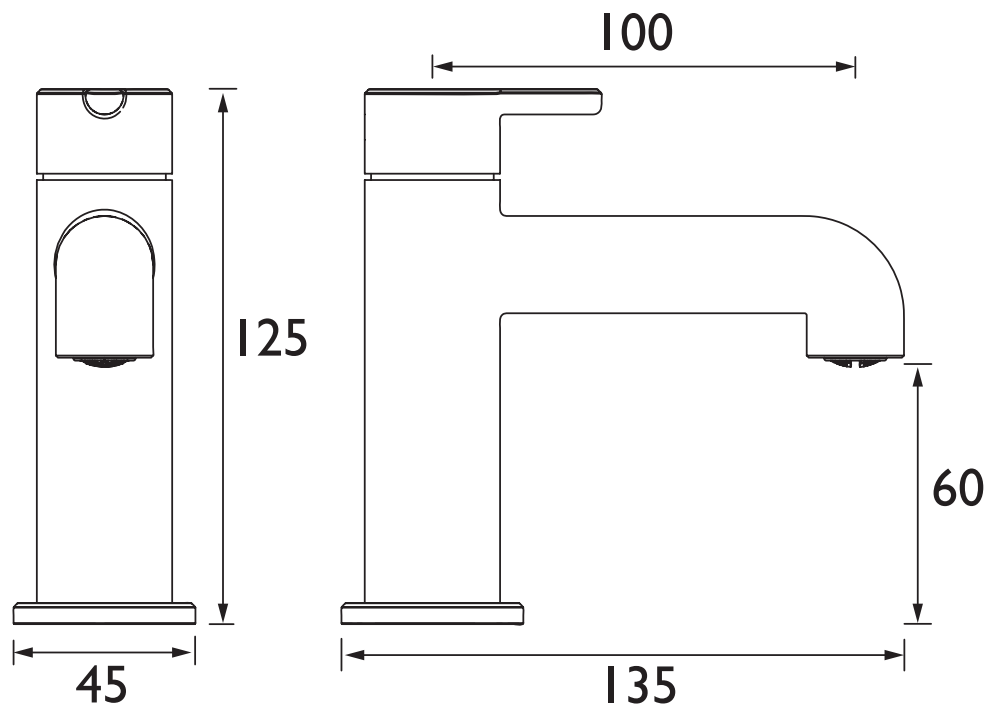
Features:

- Compatible with low pressure water systems, optimised for UK market
- Quarter turn ceramic discs - for smooth operation and added durability
- Available in a selection of finishes

Product Certifications:



Dimensions (measurements in mm)



Flow Rates (l/min)

System Pressure (bar)	0.5	1	2	3	5
TDACC00 (Cold)	5	5	5	5	5
TDACC00 (Hot)	5	5	5	5	5