

# SPECIFICATION SHEET

**COLLECTION:**

**PRODUCT CODE:** CEL-131T+SRK-C/P



**DESCRIPTION:**

Celsius

- exposed round thermostatic bath shower mixer
- Eris single function slide rail shower kit

thermostatic cartridge V-001C-PLA  
diverter cartridge CEL-001G-V2-DIV  
3/4" x 50mm threaded connection on legs  
deck mount drill hole diameter 28mm  
minimum operating pressure 1.5 bar MP

kit comprises:

ERI-SFSRK-DB-C/P  
CEL-131T-C/P

**FINISH:**

Chrome

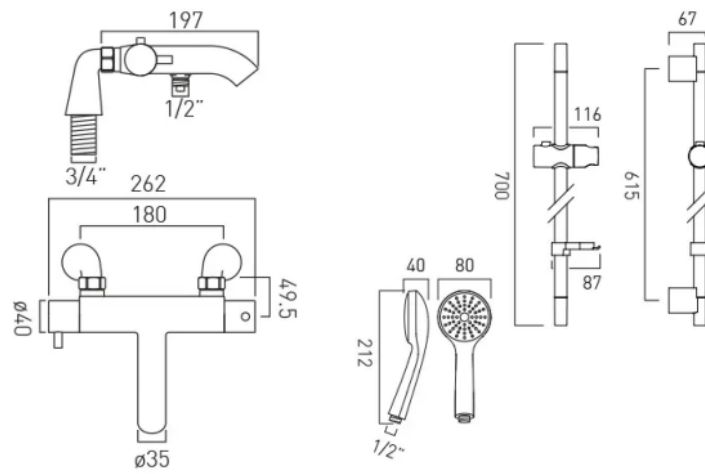
**MINIMUM OPERATING PRESSURE:**

1.5 bar MP



# TECHNICAL DRAWING

**COLLECTION:**  
**PRODUCT CODE:** CEL-131T+SRK-C/P



# SPECIFICATION SHEET

**COLLECTION:** CELSIUS

**PRODUCT CODE:** CEL-131T-C/P



**DESCRIPTION:**

Celsius  
2 hole thermostatic bath shower mixer  
deck mounted  
with water flow aerator  
with integrated diverter  
thermostatic cartridge V-001C-PLA  
diverter cartridge CEL-001G-V2-DIV  
3/4" x 50mm threaded connection on legs  
deck mount drill hole diameter 28mm  
minimum operating pressure 1.5 bar MP

**FINISH:**

Chrome

**FLOW REGULATOR:**

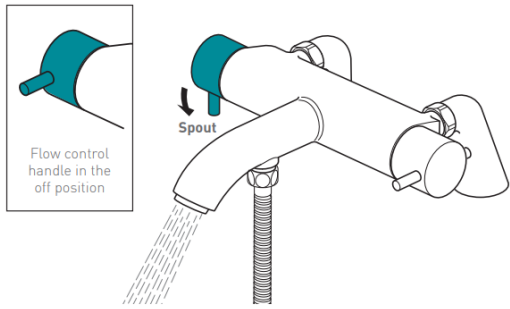
FR-SHOWER/9-C/P

**MINIMUM OPERATING PRESSURE:**

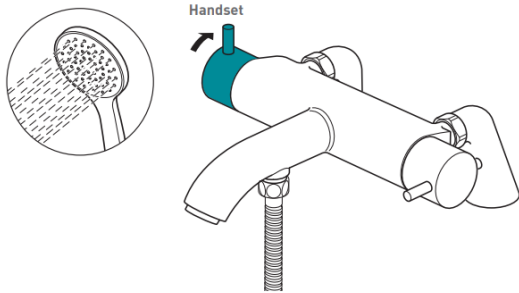
1.5 bar MP



## Operation - Flow control

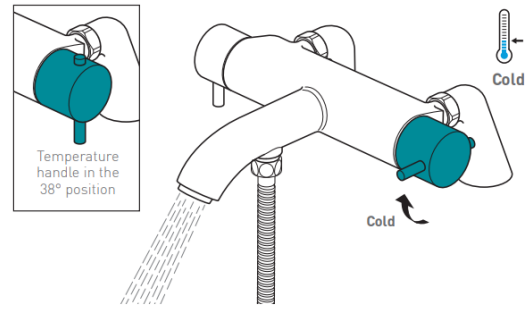


Turning the flow control handle in the direction of the arrow increases the flow of water to the spout

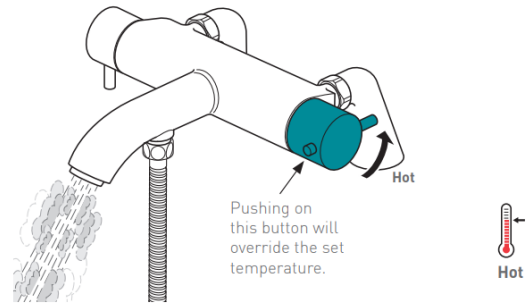


Turning the flow control handle in the direction of the arrow increases the flow of water to the handset

## Operation - Temperature control



Turning the temperature control handle in the direction of the arrow decreases the water temperature

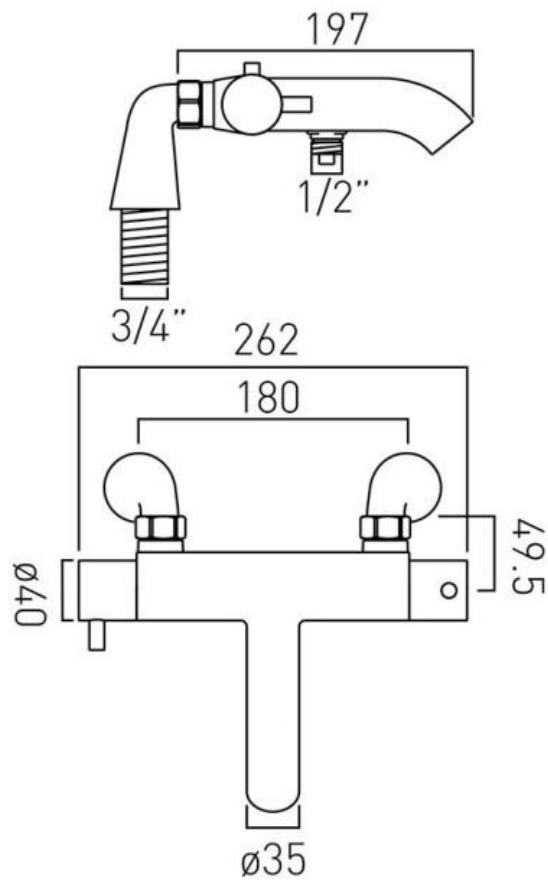


Turning the temperature control handle in the direction of the arrow increases the water temperature

# TECHNICAL DRAWING

**COLLECTION:** CELSIUS

**PRODUCT CODE:** CEL-131T-C/P



# SPECIFICATION SHEET

**COLLECTION:**

**PRODUCT CODE:** ERI-SFSRK-DB-C/P



**DESCRIPTION:**

Eris  
slide rail shower kit  
with single function handset  
rub-clean  
566mm slide rail  
700mm overall rail length  
with 150cm shower hose and hose retainer  
minimum operating pressure 0.2 bar LP

**FINISH:**

Chrome

**FLOW REGULATOR:**

FR-SHOWER/9-C/P

**MINIMUM OPERATING PRESSURE:**

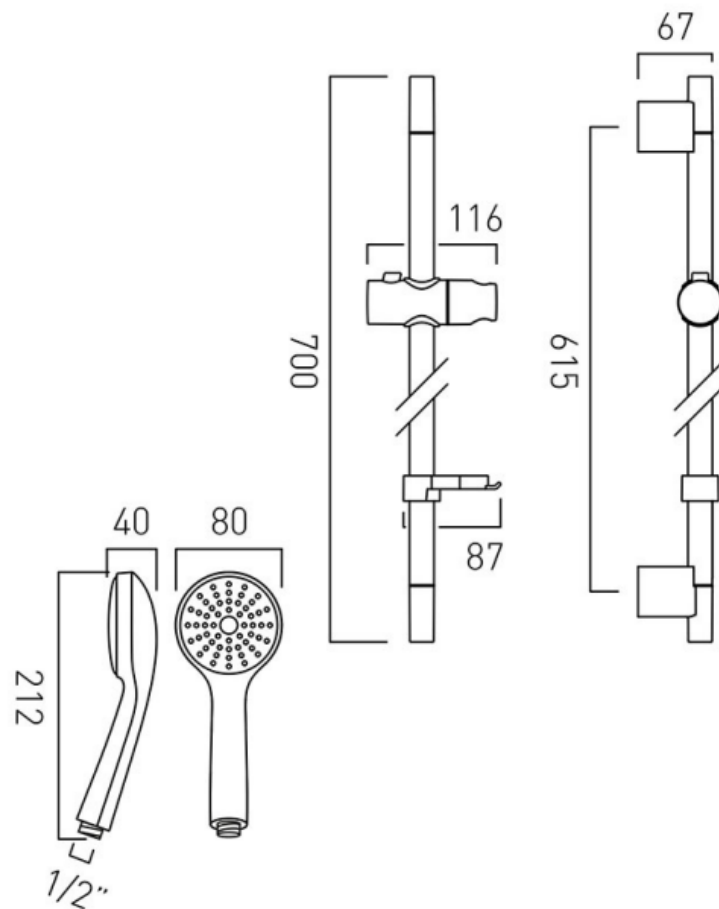
0.2 bar LP



# TECHNICAL DRAWING

COLLECTION:

PRODUCT CODE: ERI-SFSRK-DB-C/P



tel: 01934 744466  
email: sales@vado.com  
www.vado.com

**where inspiration flows**  
taps | showering | accessories

