

SPECIFICATION SHEET

COLLECTION: PHASE

PRODUCT CODE: DX-172251-PHA-CP



DESCRIPTION:

Phase

- 2 outlet thermostatic shower valve
- Aquablade 200mm square head with shower arm
- Instinct single function shower kit with integrated outlet and bracket

thermostatic cartridge V-001C-PLA
diverter cartridge FL-804-33X/3X
minimum operating pressure 1.0 bar MP

kit comprises:

PHA-148D/2-C/P
AQB-SQ/20/SA/A-C/P
INS-SFMKWO-C/P

2 x 3/4" female inlets
2 x 3/4" female outlets
includes 3/4" - 1/2" adaptors
inc. bleed valve for system flush on installation
min-max wall mount 70-95mm
optimum installation depth 82mm
tel: 01934 744466
email: sales@vado.com
www.vado.com

FINISH:

Chrome

MINIMUM OPERATING PRESSURE:

1.0 bar MP

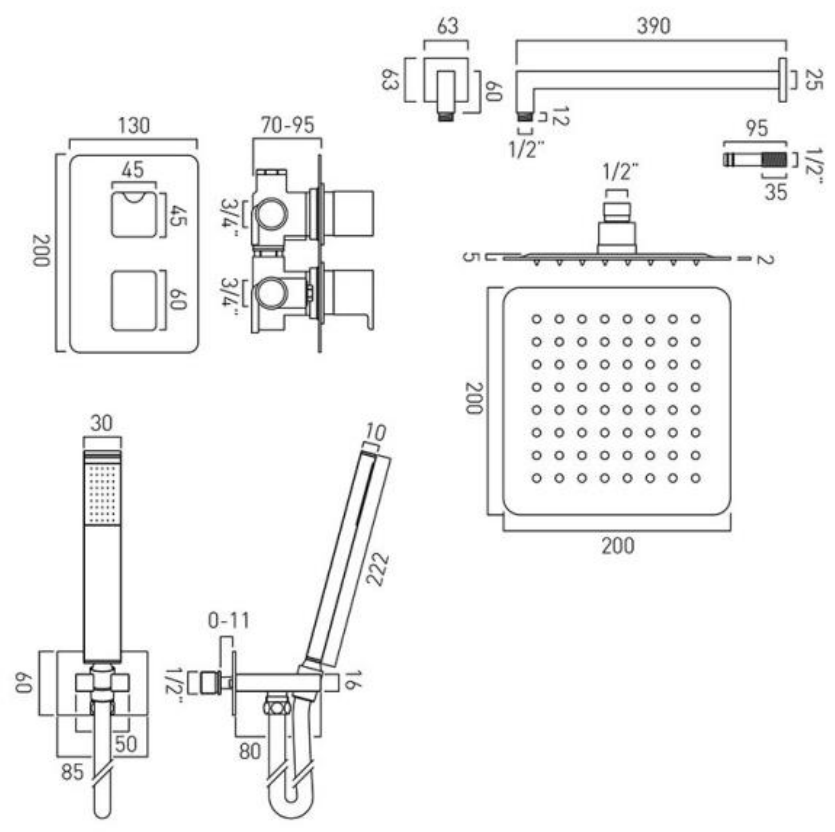


where inspiration flows
taps | showering | accessories



TECHNICAL DRAWING

COLLECTION: PHASE
PRODUCT CODE: DX-172251-PHA-CP



SPECIFICATION SHEET

COLLECTION: PHASE

PRODUCT CODE: PHA-148D/2-C/P



DESCRIPTION:

DX Phase
concealed 2 outlet, 2 handle thermostatic shower valve with integrated diverter
wall mounted
with rectangular backplate
thermostatic cartridge V-001C-PLA
diverter cartridge FL-804-33X/3X
2 x 3/4" female inlets
2 x 3/4" female outlets
includes 3/4" - 1/2" adaptors
inc. bleed valve for system flush on installation
min-max wall mount 70-95mm
optimum installation depth 82mm
minimum operating pressure 0.2 bar LP (shower)
minimum operating pressure 1.0 bar MP (bath)

FINISH:

Chrome

FLOW REGULATOR:

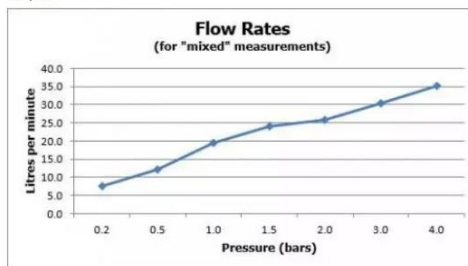
N

MINIMUM OPERATING PRESSURE:

0.2 bar LP (shower) 1.0 bar MP (bath)

FLOW RATE AT 3.0 BAR FLOW PRESSURE:

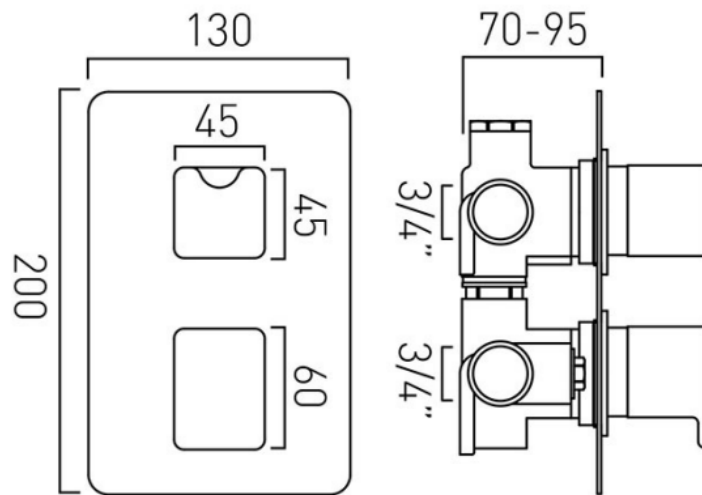
30 l/min



TECHNICAL DRAWING

COLLECTION: PHASE

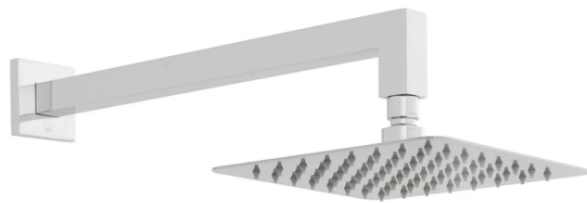
PRODUCT CODE: PHA-148D/2-C/P



SPECIFICATION SHEET

COLLECTION: AQUABLADE

PRODUCT CODE: AQB-SQ/20/SA/A-C/P



DESCRIPTION:

Aquablade
square slimline single function shower head
with shower arm
easy clean
wall mounted

200mm (8")
minimum operating pressure 0.2 bar LP

FINISH:

Chrome

FLOW REGULATOR:

FR-SHOWER/9-C/P

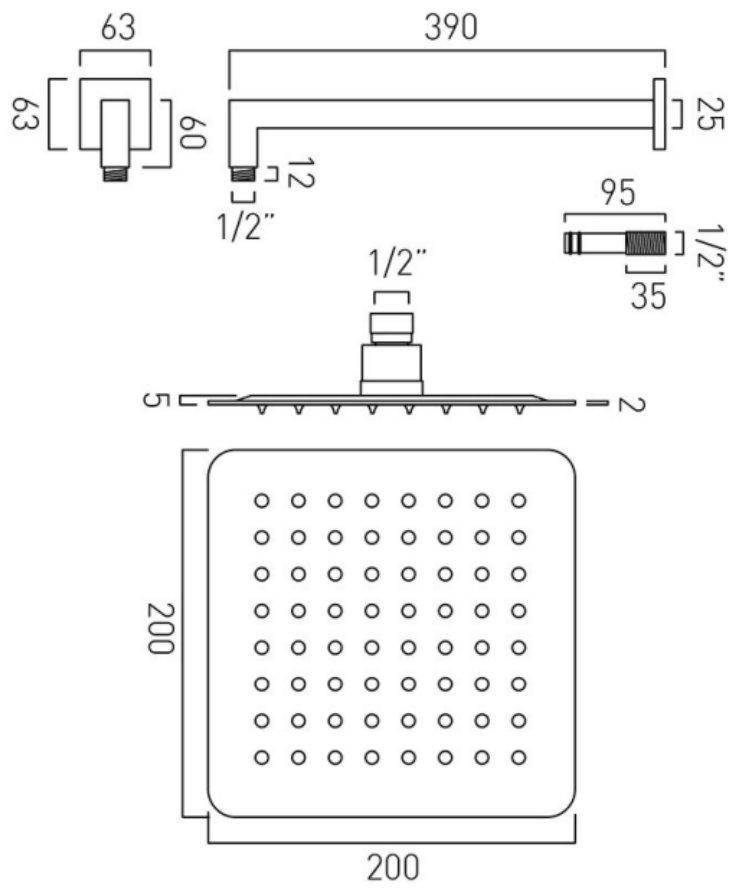
MINIMUM OPERATING PRESSURE:

0.2 bar LP



TECHNICAL DRAWING

COLLECTION: AQUABLADE
PRODUCT CODE: AQB-SQ/20/SA/A-C/P



SPECIFICATION SHEET

COLLECTION:
PRODUCT CODE: INS-SFMKWO-C/P



DESCRIPTION:

Instinct
single function mini shower kit
wall mounted
with 150cm shower hose
and bracket with integrated outlet
1/2" inlet
min-max wall mount 0-11mm
minimum operating pressure 1.0 bar MP

FINISH:

Chrome

FLOW REGULATOR:

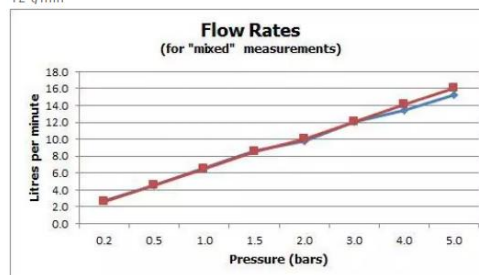
FR-SHOWER/9-C/P

MINIMUM OPERATING PRESSURE:

1.0 bar MP

FLOW RATE AT 3.0 BAR FLOW PRESSURE:

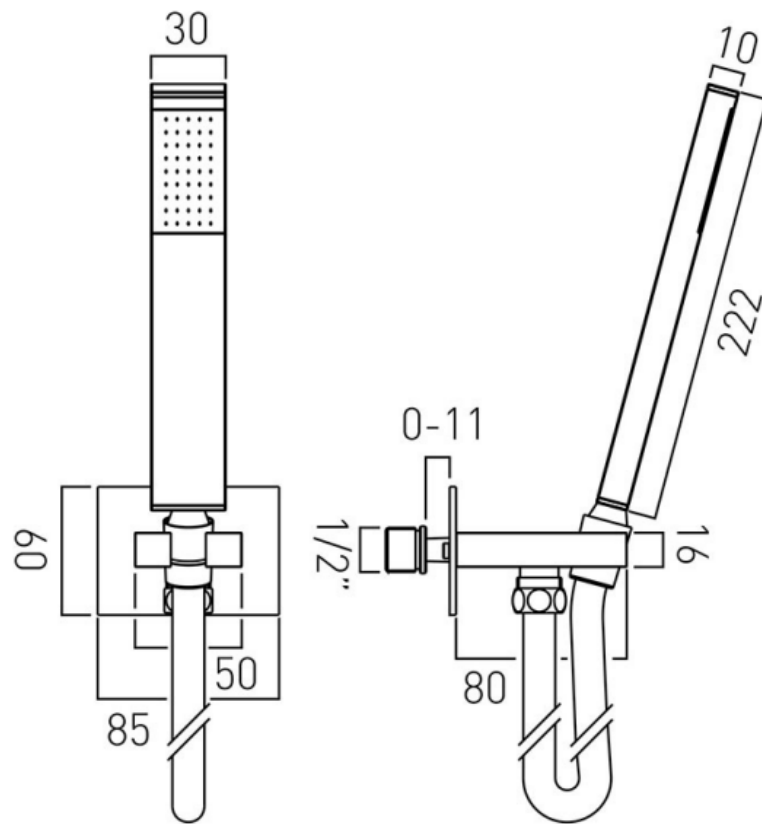
12 l/min



TECHNICAL DRAWING

COLLECTION:

PRODUCT CODE: INS-SFMKWO-C/P



tel: 01934 744466
email: sales@vado.com
www.vado.com

where inspiration flows
taps | showering | accessories

