

SPECIFICATION SHEET

COLLECTION: LIFE

PRODUCT CODE: DX-172250-LIF-CP



DESCRIPTION:

Life

- 2 outlet thermostatic shower valve
- Aquablade 200mm x 300mm oval head with shower arm
- Atmosphere slide rail shower kit with air-injection single function handset
- Life wall outlet

thermostatic cartridge V-001C-PLA
diverter cartridge FL-804-33X/3X
minimum operating pressure 1.0 bar MP

kit comprises:
LIF-148D/2-C/P
ATM-SFSRK/2-C/P
AOB-OV/30/SA-C/P
LIF-OUTLET-C/P

2 x 3/4" female inlets
2 x 3/4" female outlets
includes 3/4" - 1/2" adaptors
inc. bleed valve for system flush on installation
min-max wall mount 70-95mm
optimum installation depth 82mm

FINISH:

Chrome

FLOW REGULATOR:

FR-SHOWER/9-C/P

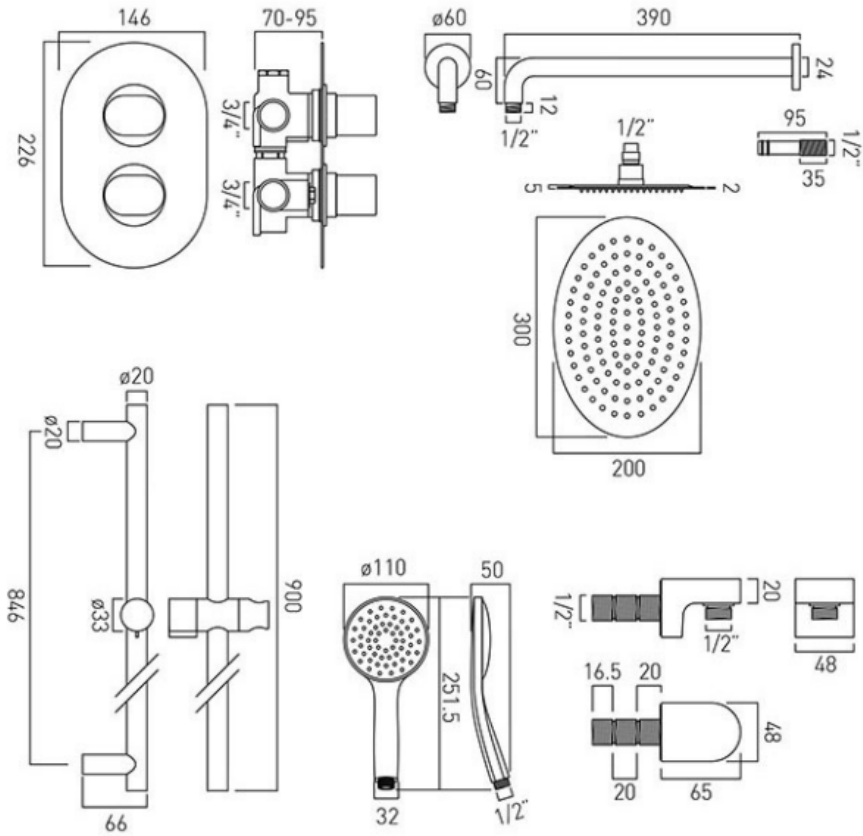
MINIMUM OPERATING PRESSURE:

1.0 bar MP



TECHNICAL DRAWING

COLLECTION: LIFE
PRODUCT CODE: DX-172250-LIF-CP



SPECIFICATION SHEET

COLLECTION: LIFE
PRODUCT CODE: LIF-148D/2-C/P



DESCRIPTION:

DX Life
concealed 2 outlet, 2 handle thermostatic shower valve with integrated diverter
wall mounted
with oval backplate
thermostatic cartridge V-001C-PLA
diverter cartridge FL-804-33X/3X
2 x 3/4" female inlets
2 x 3/4" female outlets
includes 3/4" - 1/2" adaptors
inc. bleed valve for system flush on installation
min-max wall mount 70-95mm
optimum installation depth 82mm
minimum operating pressure 0.2 bar LP (shower)
minimum operating pressure 1.0 bar MP (bath)

FINISH:

Chrome

FLOW REGULATOR:

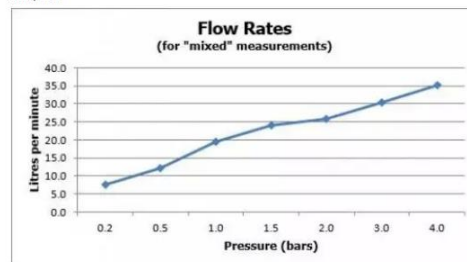
N

MINIMUM OPERATING PRESSURE:

0.2 bar LP (shower) 1.0 bar MP (bath)

FLOW RATE AT 3.0 BAR FLOW PRESSURE:

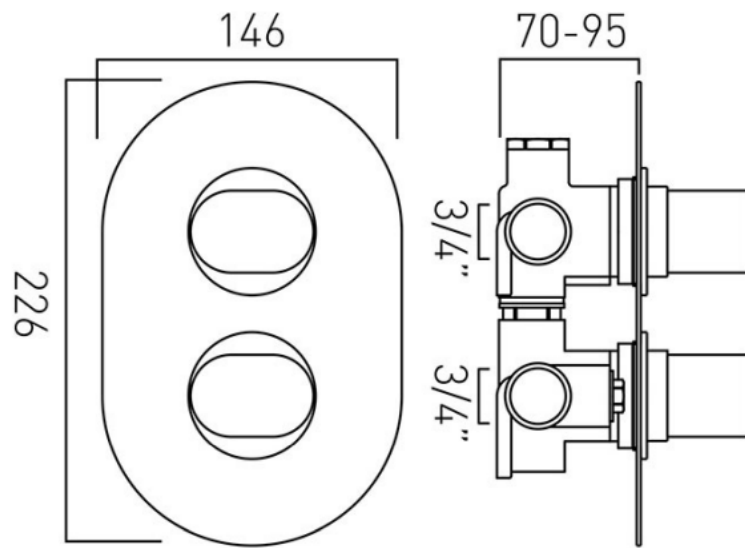
30 l/min



TECHNICAL DRAWING

COLLECTION: LIFE

PRODUCT CODE: LIF-148D/2-C/P



SPECIFICATION SHEET

COLLECTION: ATMOSPHERE

PRODUCT CODE: ATM-SFSRK/2-C/P



DESCRIPTION:

slide rail shower kit
with single function air-injection handset
805mm slide rail with twist control
900mm overall rail length
with 150cm smooth hose
minimum operating pressure 0.2 bar LP

FINISH:

Chrome

FLOW REGULATOR:

FR-SHOWER/9-C/P

MINIMUM OPERATING PRESSURE:

0.2 bar LP

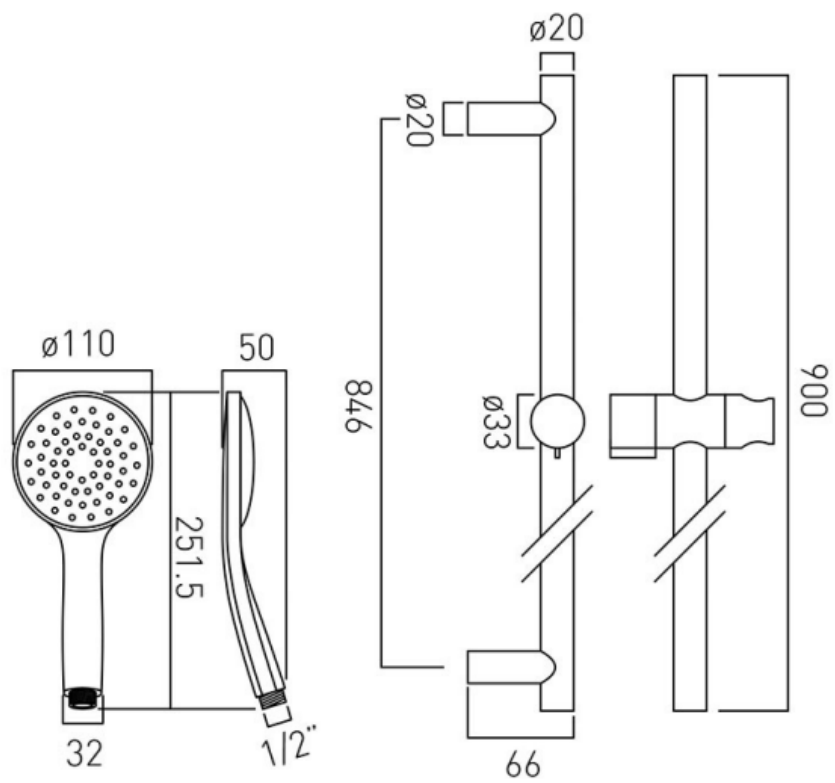
FLOW RATE AT 3.0 BAR FLOW PRESSURE:

14 l/min



TECHNICAL DRAWING

COLLECTION: ATMOSPHERE
PRODUCT CODE: ATM-SFSRK/2-C/P



SPECIFICATION SHEET

COLLECTION: AQUABLADE

PRODUCT CODE: AQB-OV/30/SA-C/P



DESCRIPTION:

Aquablade
oval slimline single function shower head
with shower arm
easy clean
wall mounted
200mm x 300mm (8" x 12")
minimum operating pressure 1.0 bar MP

FINISH:

Chrome

FLOW REGULATOR:

FR-SHOWER/9-C/P

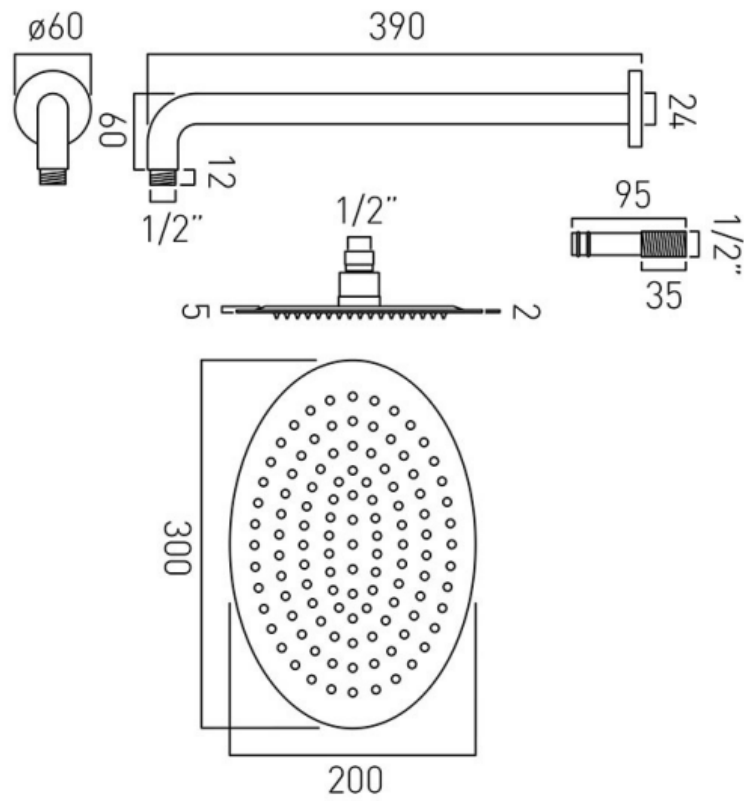
MINIMUM OPERATING PRESSURE:

(8") 0.2 bar LP(12") 1.0 bar MP



TECHNICAL DRAWING

COLLECTION: AQUABLADE
PRODUCT CODE: AQB-OV/30/SA-C/P



SPECIFICATION SHEET

COLLECTION: LIFE
PRODUCT CODE: LIF-OUTLET-C/P



DESCRIPTION:

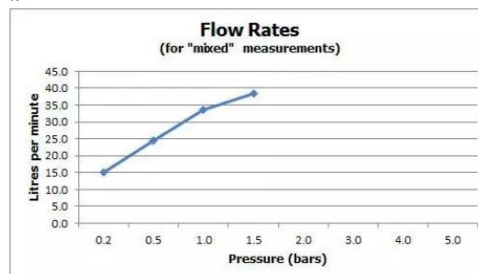
Life
wall outlet
1/2" threaded inlet
1/2" threaded outlet

FINISH:

Chrome

FLOW REGULATOR:

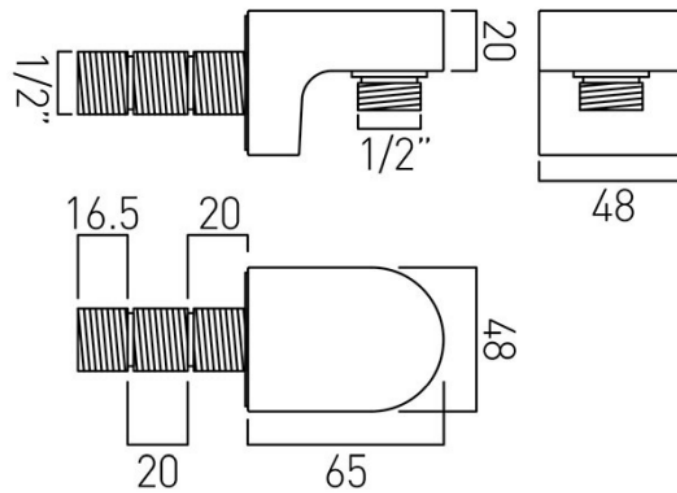
N



TECHNICAL DRAWING

COLLECTION: LIFE

PRODUCT CODE: LIF-OUTLET-C/P



tel: 01934 744466
email: sales@vado.com
www.vado.com

where inspiration flows
taps | showering | accessories

