

SPECIFICATION SHEET

COLLECTION: ALTITUDE

PRODUCT CODE: TAB-1753/WO-ALT-CP



DESCRIPTION:

Tablet iO Altitude

- 3 outlet thermostatic shower valve with integrated outlet, handset, hose and all-flow function
 - Nebula 300mm round head and shower arm
 - clic-clac bath filler waste and overflow thermostatic cartridge V-704-34S
 - diverter cartridge FL-802-33/2MX
 - flow cartridge FL-301-RTC
 - minimum operating pressure 1.0 bar MP
- kit comprises:
- TAB-128/3WO-ALT-CP
 - NEB-RO/30-SA-CP
 - WG-81389-C/P
- 2 x 3/4" female inlets
2 x 3/4" female outlets, 1 x 1/2" male outlet
includes 3/4" - 1/2" adaptors
supplied with mortar/tile guard
min-max wall mount 75-100mm
optimum installation depth 87mm

tel: 01934 744466
email: sales@vado.com
www.vado.com

FINISH:

Chrome

FLOW REGULATOR:

FR-SHOWER/9-C/P (handset) FR-SHOWER/9-PLA (head)

MINIMUM OPERATING PRESSURE:

1.0 bar MP



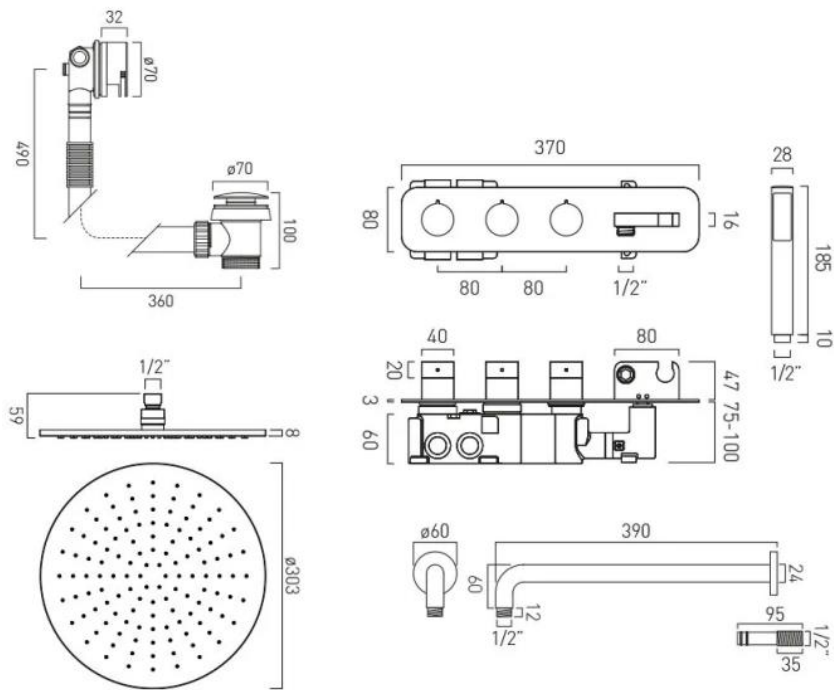
where inspiration flows
taps | showering | accessories



TECHNICAL DRAWING

COLLECTION: ALTITUDE

PRODUCT CODE: TAB-1753/WO-ALT-CP



SPECIFICATION SHEET

COLLECTION: ALTITUDE

PRODUCT CODE: TAB-128/3WO-ALT-CP



DESCRIPTION:

Tablet iO Altitude with integrated single function round mini kit, 3 outlet 3 handle horizontal concealed thermostatic shower valve with all-flow function - 1.0 bar MOP to operate thermostatic cartridge C-704-34S diverter cartridge FL-802-33/2MX flow cartridge TAB-002A-3/4 2 x 3/4" female inlets 2 x 3/4" female outlets, 1 x 1/2" male outlet includes 3/4" - 1/2" adaptors supplied with mortar/tile guard min-max wall mount 75-100mm optimum installation depth 87mm minimum operating pressure 0.2 bar LP (shower) 1.0 bar MP (bath)

FINISH:

Chrome

FLOW REGULATOR:

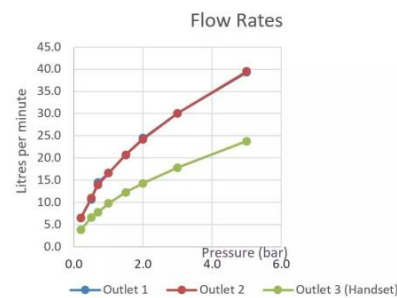
FR-SHOWER/9-C/P

MINIMUM OPERATING PRESSURE:

0.2 bar LP (shower) 1.0 bar MP (bath)

FLOW RATE AT 3.0 BAR FLOW PRESSURE:

outlet 1 30.1 outlet 2 30.1 outlet 3 15.7 l/min



tel: 01934 744466
email: sales@vado.com
www.vado.com

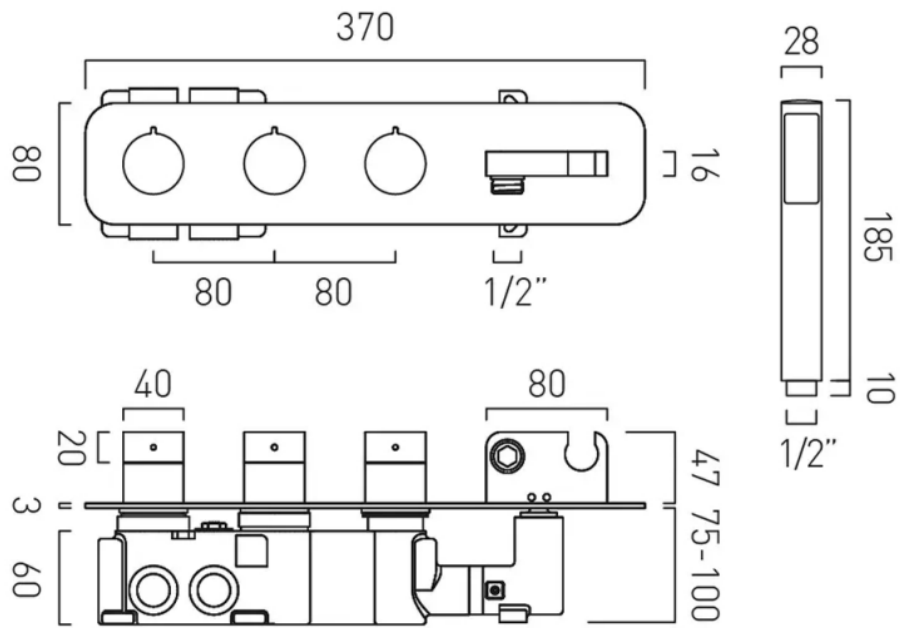
where inspiration flows
taps | showering | accessories



TECHNICAL DRAWING

COLLECTION: ALTITUDE

PRODUCT CODE: TAB-128/3WO-ALT-CP



SPECIFICATION SHEET

COLLECTION: NEBULA
PRODUCT CODE: NEB-RO/30-SA-CP



DESCRIPTION:

Nebula
round single function shower head
with shower arm
wall mounted
300mm (12") diameter
minimum operating pressure 0.2 bar LP

FINISH:

Chrome

MINIMUM OPERATING PRESSURE:

1.0 bar MP



tel: 01934 744466
email: sales@vado.com
www.vado.com

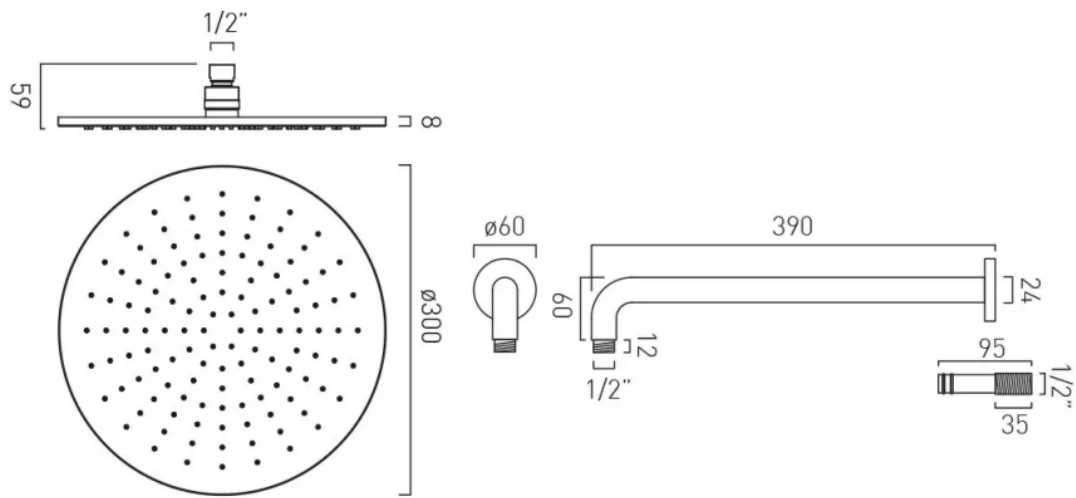
where inspiration flows
taps | showering | accessories



TECHNICAL DRAWING

COLLECTION: NEBULA

PRODUCT CODE: NEB-RO/30-SA-CP



SPECIFICATION SHEET

COLLECTION:

PRODUCT CODE: WG-81389-C/P



DESCRIPTION:

push type bath filler waste and overflow
2 x 1/2" inlets (one is blanked off)
1.1/2" x 10mm threaded outlet connection
min-max overflow bath thickness 1mm-21mm
minimum operating pressure 1.0 bar MP

FINISH:

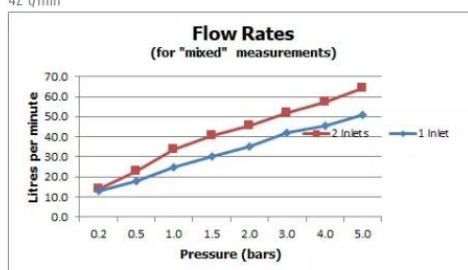
Chrome

MINIMUM OPERATING PRESSURE:

1.0 bar MP

FLOW RATE AT 3.0 BAR FLOW PRESSURE:

42 l/min



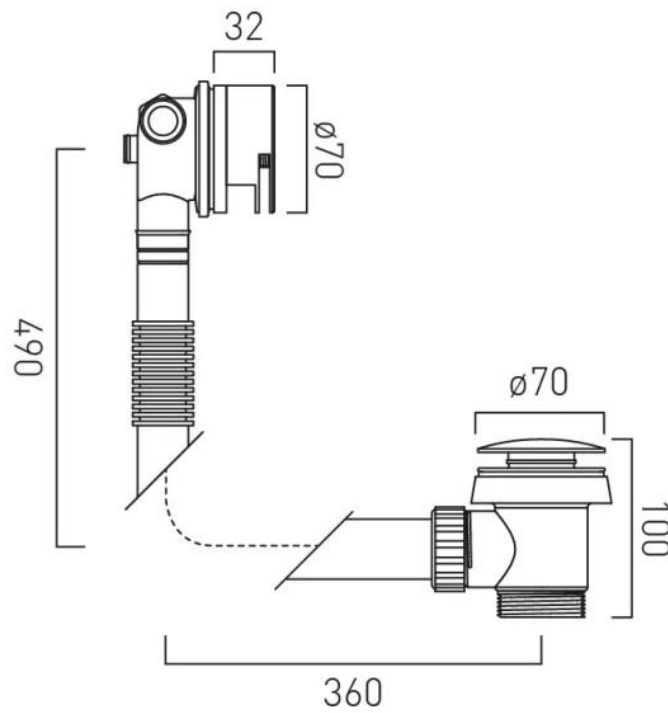
tel: 01934 744466
email: sales@vado.com
www.vado.com

where inspiration flows
taps | showering | accessories



TECHNICAL DRAWING

COLLECTION:
PRODUCT CODE: WG-81389-C/P



tel: 01934 744466
email: sales@vado.com
www.vado.com

where inspiration flows
taps | showering | accessories

